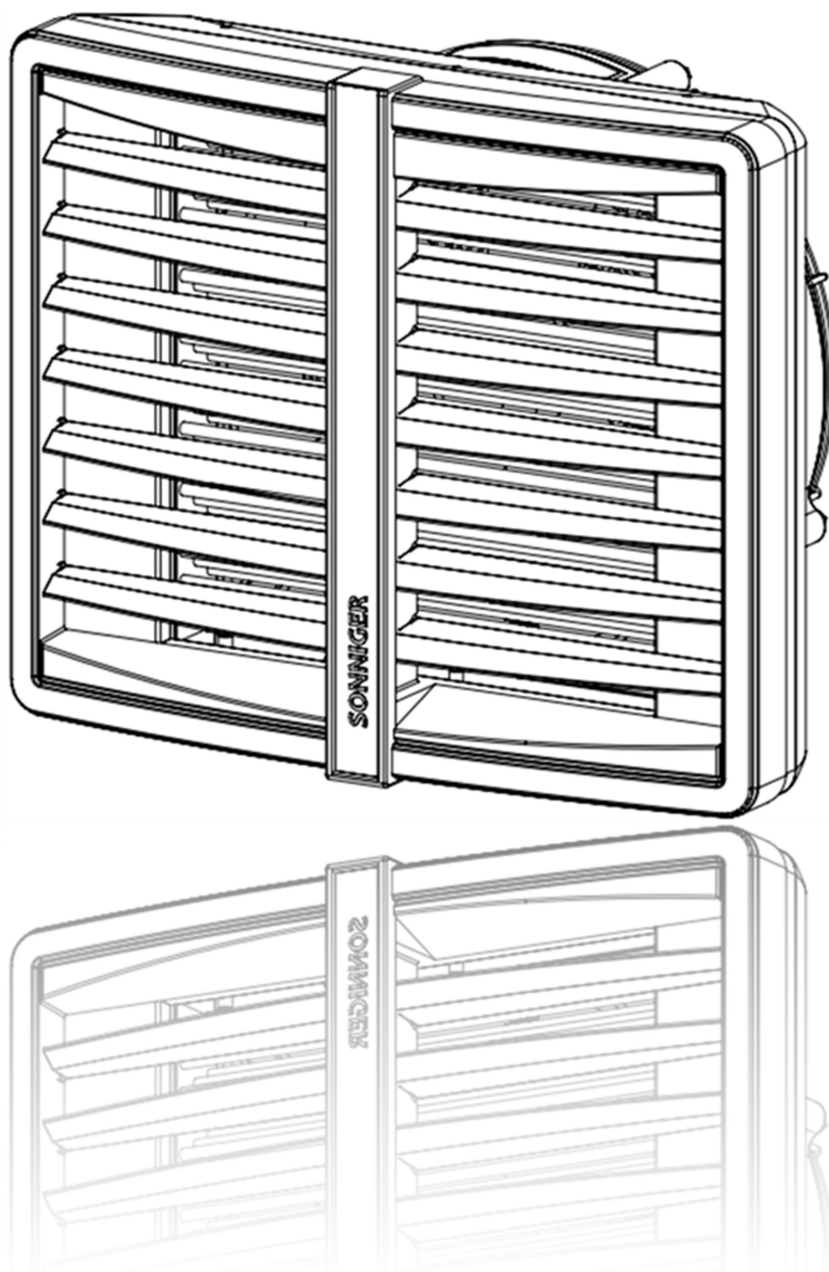


## OPERATION AND MAINTENANCE DOCUMENTATION HEATER CONDENS



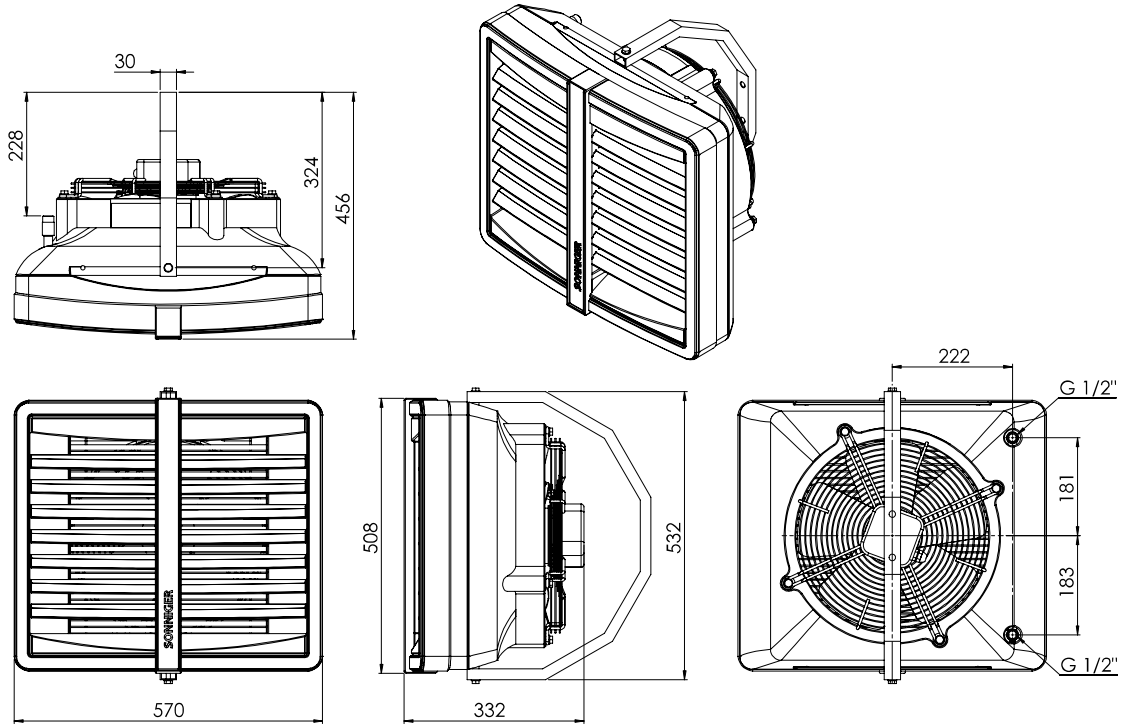
**SONNIGER S.A.**

ul. Śląska 35/37, 81-310 Gdynia, Poland, infolinia 801 055 155, tel. + 48 58 785 34 80, [www.sonniger.com](http://www.sonniger.com)  
Sąd Rejonowy Gdańsk-Północ, VIII Wydział Gospodarczy Krajowego Rejestru Sądowego, KRS 0000966611, NIP 586 227 35  
14, Regon 22154369 kapitał zakładowy: 1.655.000 PLN

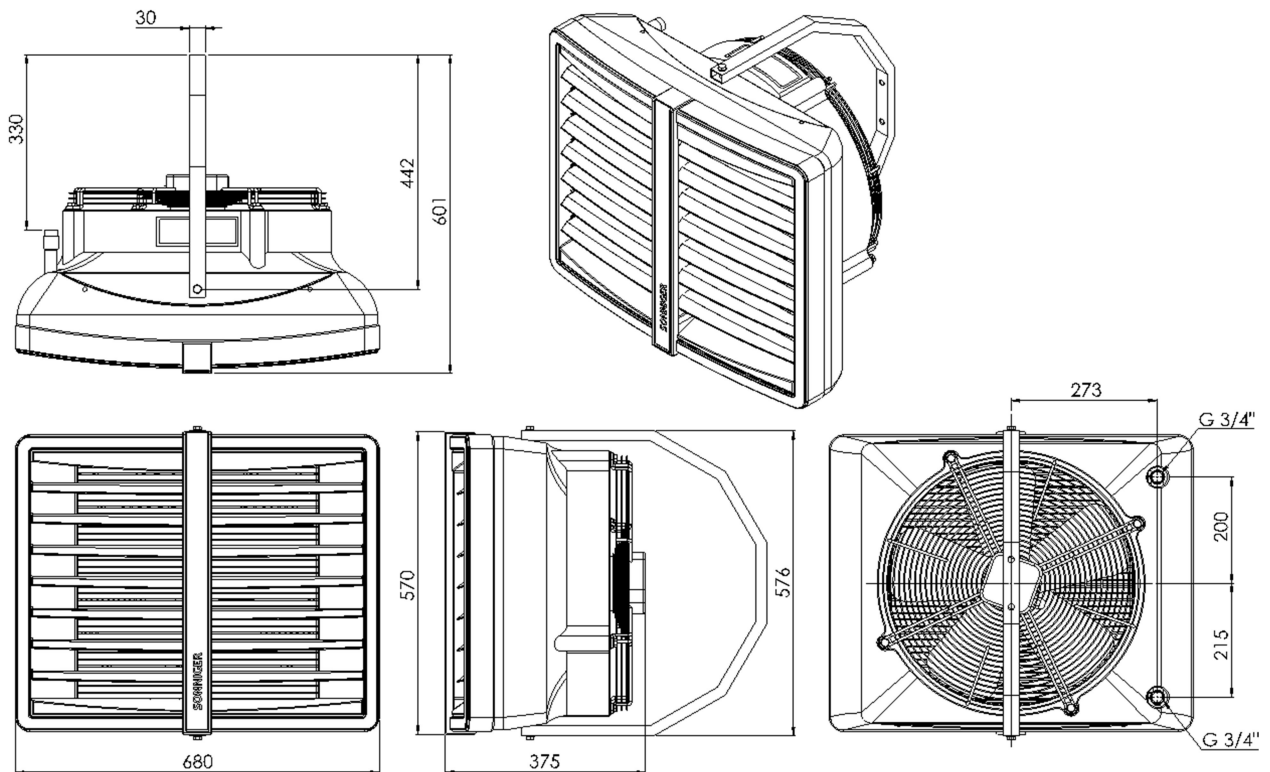
**1. OVERALL INFORMATION**

HEATER CONDENS heating and ventilation devices are designed to be applied in buildings of small and medium capacity, especially as production and warehouse halls, car showrooms and service stations, sports halls and stadiums, sacral buildings and churches, retail stores and wholesale outlets, agricultural facilities, exhibition surfaces. HEATER CONDENS is a special, dedicated solution to be connected to low water temperature sources (for ex. condensing boilers, and industrial heat pumps). The main advantages of HEATER CONDENS are high temperature of exhaust air generated by the low temperature of water supplied to a unit, maximum use of water coil surface – new geometry of coil construction (enhanced fins size, lower space between fins), optimized airflow exhaust – in effect high air exhaust temperature generated on each speed of the fan.

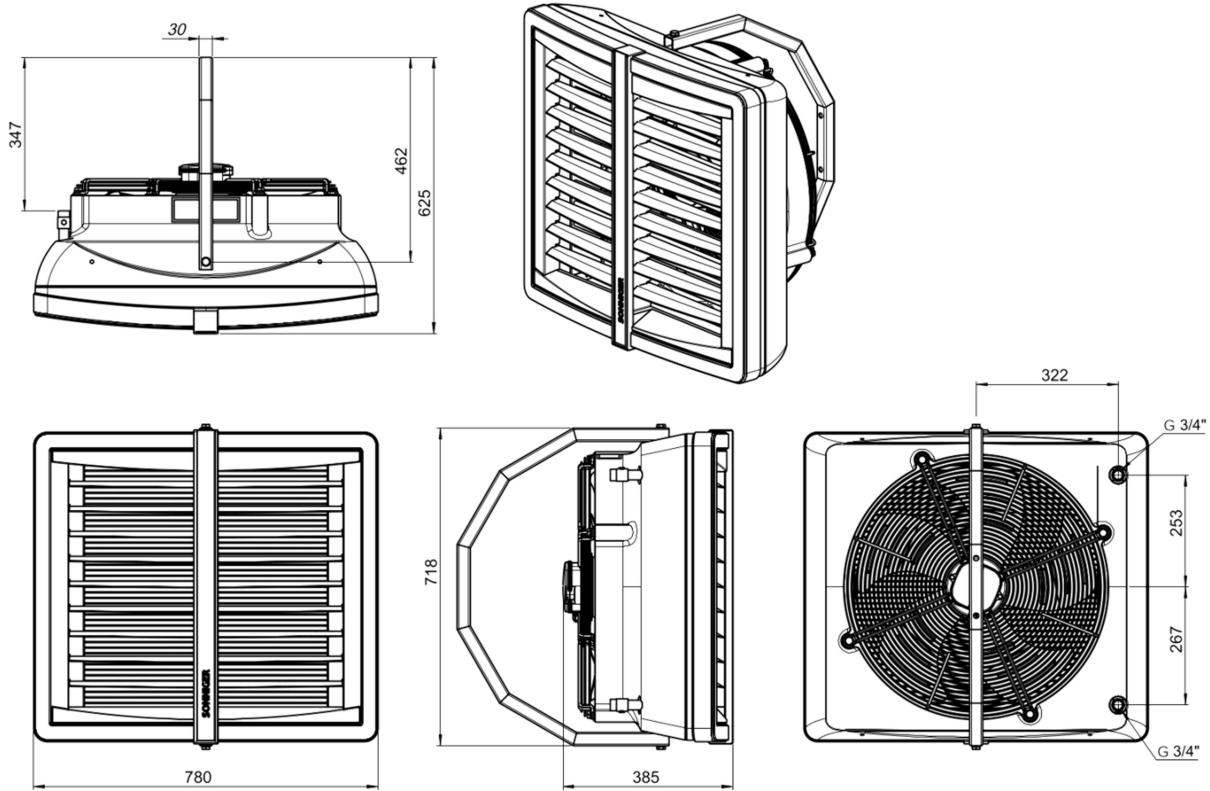
**2. DIMENSION AND BASIC TECHNICAL PARAMETERS HEATER CONDENS CR ONE**



**DIMENSION AND BASIC TECHNICAL PARAMETERS HEATER CONDENS CR1, CR2, CR3, MIX1**



**DIMENSION AND BASIC TECHNICAL PARAMETERS HEATER CONDENS CR2 MAX, CR3 MAX, CR4 MAX, MIX2**



**Elements of the HEATER CONDENS devices**

- ▨ Casing made of highly resistant EPP (expanded polypropylene) material
- ▨ Regulated louvers
- ▨ 3-step axial fan 350 mm, 450 mm, or 550mm dimension; protected from access to revolving elements with safety netting
- ▨ Heat exchanger – (Cu/AL) made of copper tubes placed in an aluminum lamellar exchanger /block with stub connection 1/2", 3/4". Stub connections are equipped with air-release valves and water agent release

TECHNICAL PARAMETERS	HEATER CONDENS							DESTRATIFIER			
	CR ONE	CR1	CR2	CR3	CR2 MAX	CR3 MAX	CR4 MAX	MIX 1	MIX 2		
Suggested heat output range*	kW	5-25	10-35	15-50	20-70	25-70	35-95	40-120	-	-	
Heat output (90/70°C) / ΔT air temperature increase**	kW / °C	19 kW/35°C	23 kW/18°C	39 kW/33°C	50 kW/48°C	55 kW/30°C	74 kW/49°C	94 kW/60°C	-	-	
Heat output (70/50°C) / ΔT air temperature increase**	kW / °C	13 kW/25°C	16 kW/13°C	26 kW/22°C	35 kW/34°C	40 kW/22°C	53 kW/35°C	68 kW/44°C	-	-	
Heat output (50/30°C) / ΔT air temperature increase**	kW / °C	7 kW/15°C	9 kW/8°C	13 kW/11°C	20 kW/20°C	25 kW/14°C	32 kW/21°C	42 kW/27°C	-	-	
Max air output - III speed	m <sup>3</sup> /h	1 600	3 900	3 350	2 950	5 700	5 600	5 100	4 800	7 200	
Sound level I/II/III speed****	dB (A)	35/46/52	44/52/62	41/50/60	39/48/60	41/50/59	40/48/58	40/48/58	36/44/54	31/42/49	
Number of unit rows		2	1	2	3	2	3	3	-	-	
Max working pressure	MPa	1,6		1,6			1,6		-	-	
Max airflow range *****	m	14	24	21	19	26	25	23	13***	16***	
Diameter of connection nozzles	inch	1/2"		3/4"			3/4"		-	-	
Power supply	V/Hz /A	230/50 0,58A		230/50	1,08A		230/50	2,2A	230/50	1,08A 230/50	2,2A
Motor power	W	124		250			520		250	520	
Motor speed	RPM	1400		1350			1380		1350	1380	
Protection class IP		IP 54		IP 54			IP 54		IP 54		
Weight without water/with water	kg	9,6/10,7	10,8/11,9	12,7/14,8	14,5/16,9	23,6/25,2	25,2/27,4	25,5/28	9,2	15,8	

\* presented heat output for water agent temperature range 50/30°C – 120-90°C, air inlet temperature 0°C, III speed.

\*\* for air inlet temperature 0°C

\*\*\* max height of installation for vertical airflow, max working area 380 m<sup>2</sup> for HEATER MIX 1 and 450 m<sup>2</sup> for HEATER MIX 2

\*\*\*\* measured in distance of 5m

\*\*\*\*\* Horizontal range of isothermal steam at velocity of 0,5m/s

### 3. GENERAL INFORMATION

HEATER CONDENS heating and ventilation devices are manufactured in compliance with standards concerning quality, ecology, utility, and work comfort. HEATER CONDENS devices are delivered ready to use in a cardboard package that is to protect from mechanical damage. The package consists of the device, the Manual (Operation and Maintenance Documentation), and the Guarantee. If the optional automatic control is ordered, it shall be delivered in a separate package. Make sure all the aforementioned elements are in the package immediately after delivery. In the absence of any element, please fill in the suitable carrier document.

#### ATTENTION !

- ⓘ Before mounting read the manual carefully and adhere to the rules concerning the mounting procedures. Not applying may result in inappropriate functioning of the device and the loss of the guarantee rights.
- ⓘ Pay special attention when working with the electrical elements of the device.
- ⓘ Any installation operations must be carried out by qualified persons with appropriate authorizations

### 4. ASSEMBLY

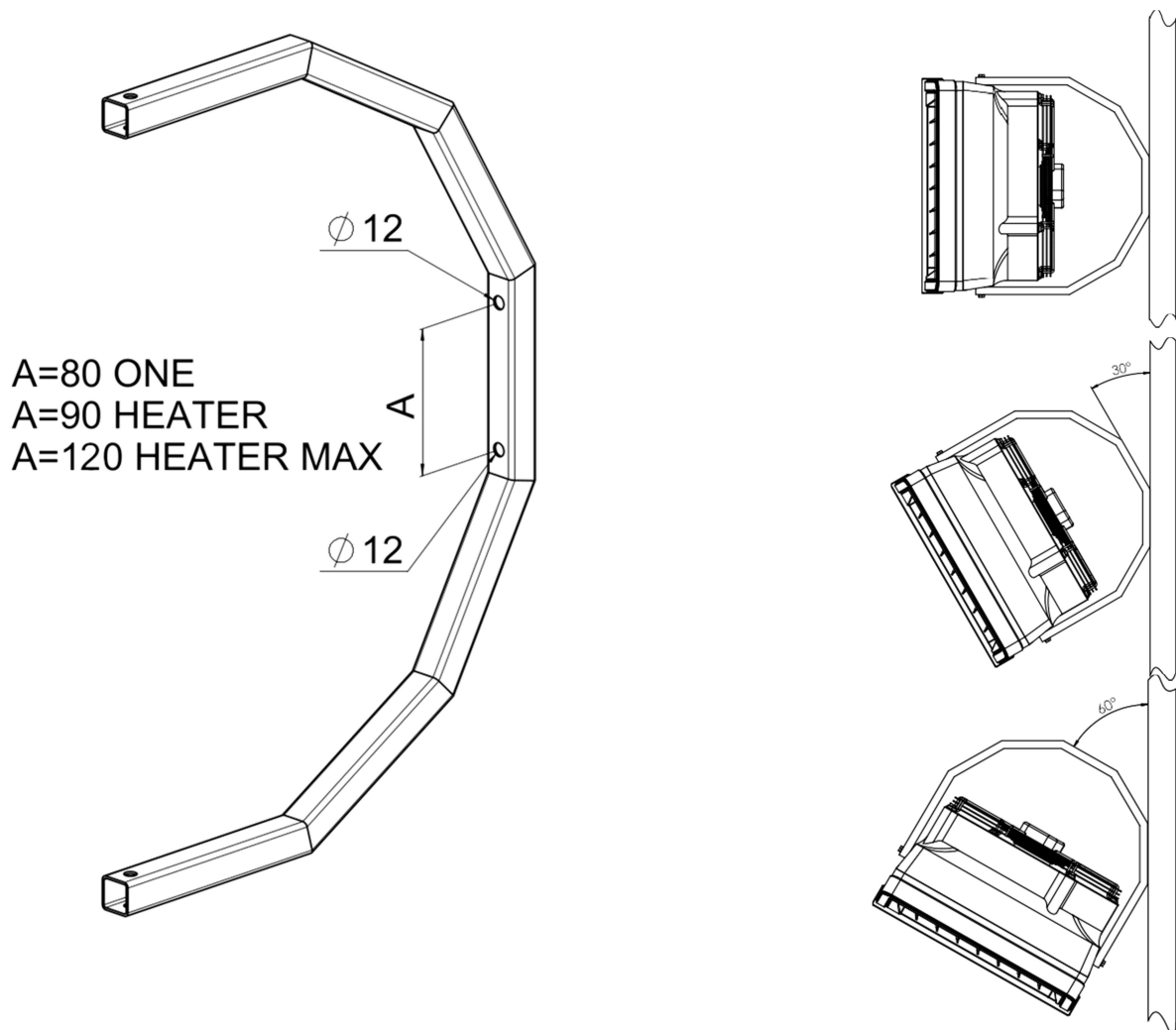
Before any installation procedures, consider the following aspects: easy access for maintenance works, access to water and electrical installation, and appropriate air distribution in a room.

Each HEATER unit is equipped with a set of 2 interchangeable color inserts; to change the color, remove the insert from the front panel and place the desired one back in place.

It is advisable to mount the device to the wall or the ceiling on original mounting brackets, supporting mount pins (not delivered with the device), or supporting constructions (shapes and dimensions of the supporting construction may be individually designed in compliance with durability and strength requirements).

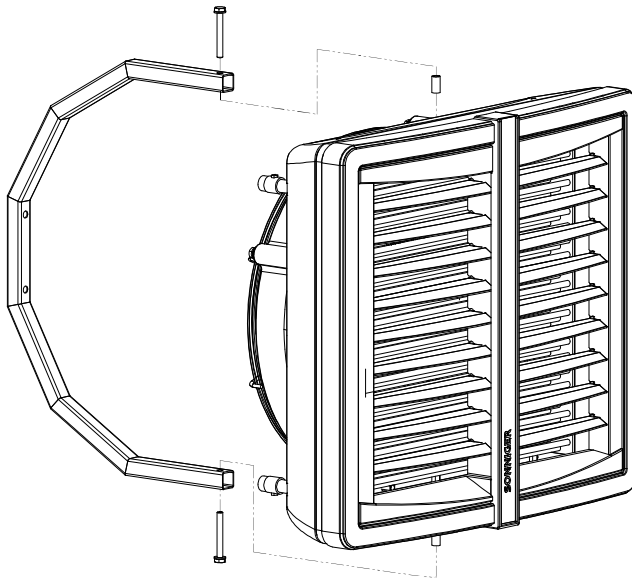
In case of mounting to the ceiling, pay attention to the fact that air-release/venting of the device may be difficult so it is advisable to place the vent at the highest point of the pipework.

The device may be mounted to the wall with the use of a mounting bracket at the angle of 0°, 30°, or 60°. A mounting bracket holder is made of a curved profile. It has two holes for vertical assembly. Assembly to the wall and/or to the ceiling is possible at different angles but it requires making necessary holes in the holder.



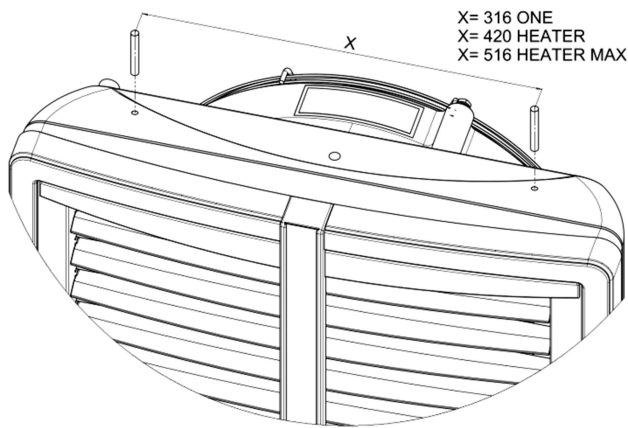
### Mounting bracket to the heater

The bracket set consist of: a holder, two sleeves, two M8 screws and washers. In order to mount the bracket, drill two Ø12-13mm holes in places visibly marked on the casing. Insert sleeves into drilled holes and place the bracket in. The included holder must be screwed with M8 screws with washers.



### Installation of mounting pins

To mount the heater to the ceiling, use M8 mounting pins. Drill two Ø8-9mm holes in places visibly marked on the casing. Mounting pins may be screwed into the frame not deeper than 20 mm

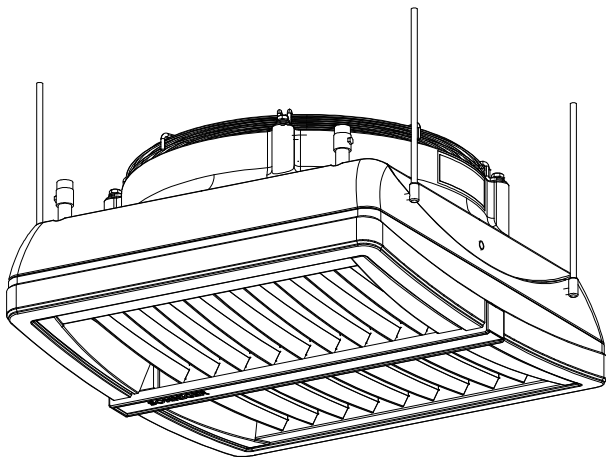


### ATTENTION !

ⓘ While drilling the holes in marked places be careful not to damage the coil by going deeper than 20mm!

### Assembly of HEATER MIX air mixer

To mount HEATER MIX air mixer to the ceiling, use M8 mounting pins. Drill two Ø8-9mm holes in places visibly marked on the casing. Mounting pins may be screwed into the frame of a heat exchanger to the maximum depth of 20 mm. Mounting pins and connecting elements are not included with the unit



### NOTICE !

ⓘ To sustain proper functioning of the device keep a safe distance– 200 mm from its sides and 300 mm from its backside (from the fan)

## 5. ELECTRICAL INSTALLATION

The electrical installation and connection to the power supply must be done in compliance with the existing regulations and standards for the building industry.

The fan's engine is equipped with an internal temperature limit fuse protecting the engine from overheating.

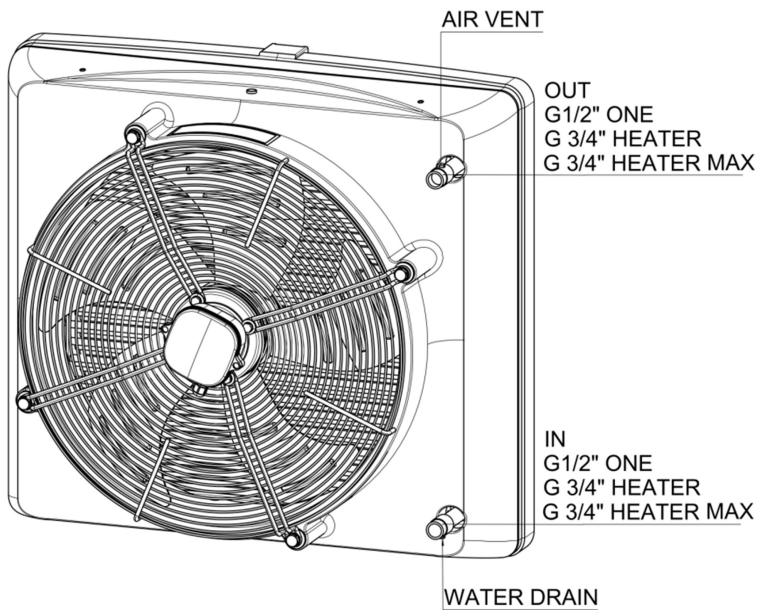
The unit set does not consist of: a feeding cable, or a master switch (see diagram)

The electrical installation must be done by an authorized person, acquainted with the Manual. The connection of the feeding cable and master switch must be done in compliance with the electrical diagram (with or without the automatic control, depending on the option chosen). Any damages incurred as a result of the aforementioned causes are not provided with the Guarantee and the user will be charged with any costs of the device exchange. The connection of the automatic control should be carried out following the electrical diagram.

In case of any doubts or problems, unplug the device and contact the device's installer or SONNIGER Authorized Service..

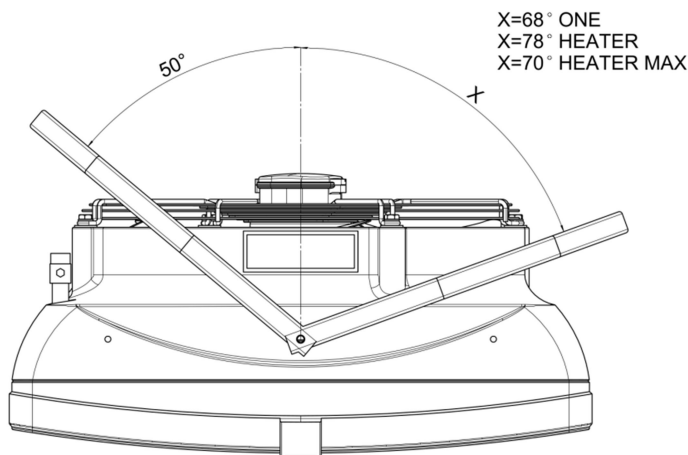
## 6. WATER INSTALLATION

The installation of the unit should be done in a way enabling maintenance service; on both stub pipes, manual closing valves should be installed to cut off the device. The feeding cables of the heater shall be connected following the symbols/markings on the casing (inlet/outlet). In the case of an electromagnetic valve (with the option of the automatic control), it should be installed on the outlet as it may be damaged otherwise. When the pipework is being connected to the exchanger, secure the connections of the heater from oscillating torque (see figure) that may cause leakage in the exchanger.



### Heating medium

The connector pipes are at the back of the device. When connecting the hydraulic pipes/connections, make sure you secure the connector pipes against rotational torque. Notice that the connector pipes are not strained by the pipes. The valve of heating medium is on the supply pipe and the vent is on the return pipe.



Use flexible connections to allow the heater to be turned to the sides. Depending on the flexible connections, the maximum turn is 70° - for HEATER CONDENS MAX, 78° - for HEATER CONDENS CR1, CR2, CR3, 68° - for HEATER CONDENS ONE, to both sides. Figure shows maximum angle to one side and 50° to the other with minimal distance left for connections.

## 7. AUTOMATIC CONTROL - INSTALLATION

A set of automatic control may be used (powered 230V) that consists of the following:

- ☛ COMFORT NEW panel – including room thermostat and switch for regulation of 3 speeds of the fan. One COMFORT panel may regulate up to 6 pcs of HEATER CONDENS CR ONE, 3 pcs of HEATER CONDENS CR1,2,3 units or 2 pcs of HEATER CONDENS MAX
- ☛ 2-way water valve with actuator; valve should be installed on a return stub of the heater
- ☛ INTELLIGENT electronic control panel with an automatic speed controller, weekly program, and BMS communication. One INTELLIGENT panel may regulate up to 2 pcs of HEATER CONDENS units or for a single HEATER CONDENS MAX
- ☛ Splitter MULTI 6 - control up to 6 pcs of HEATER CONDENS, HEATER CONDENS MAX, or 12 pcs of HEATER CONDENS ONE unit from one COMFORT or INTELLIGENT Panel

The system is ready to start once the connections between the thermostat and the valve actuator are done, 230V power is supplied to the thermostat and the fan's motor is powered by the revs controller.



### COMFORT NEW panel description

**OFF-I-II-III** - switch and fan speed regulation

**HEAT** - the thermostat gives an operation signal to the actuator and fan, the fan turns off when the set temperature is reached, the valve closes the water supply

**FAN** - device fan operation according to the thermostat, valves do not work

**COOL** - the thermostat gives an operation signal to the actuator and fan, the device starts to work when the set temperature is reached

## 8. FIRST START

Do all the connections (electrical, water and automatic control), check for tightness of all connections done by an installer and air-release/vent the device then start the device in the following sequence:

- 8.1 Switch on the mains,
- 8.2 Set the requested speed of fan on the revs controller,
- 8.3 Set the requested temperature on the thermostat,

The fan operates continuously irrespective of whether the heater's valve is opened or not.

## 9. TURNING OFF

To switch the device off do the following:

- 9.1 Set minimum temperature on the thermostat – after 7 seconds valve will be closed and the heating switched off.
- 9.2 Set the main switch to the "0" position (off); the fan will be switched off and the thermostat will be off power.

## 10. OPERATION

The engine and fan used in HEATER CONDENS units are maintenance-free devices but regular check-ups are advised, especially motor and bearing (the fan's rotor should rotate freely, free from any axial and radial throws and undesired knocks/rattles).

### NOTICE !

- ⓘ In case of any metallic knocks, vibration or increase in sound level check if the fan mounting/fixing does not work loose contact the installer or SONNIGER Authorized Service

## 11. MAINTENANCE

The heat exchanger requires systematical cleaning all dirt/impurities off. Before the start of the heating period the heat exchanger is advised to be cleaned with compressed air directed to the air outlets; there is no need for dismantling of the device. Pay special attention when cleaning the exchanger's fin due to high possibility of damaging them. If fins are bent use a tool specifically designated to carry out such repairs. If the device has not been used for a longer period of time, unplug it before the next use.

The heat exchanger is not equipped with any fire protection device. The heat exchanger may be damaged if the room temperature goes below 0 C.

Anti-freeze liquid must be added to the water circulation/system. Anti-freeze liquid must be appropriate for the material the exchanger is made of (copper) as well as other elements of the hydraulic system/circulation. The liquid must be diluted with water according to the solution recommended by the anti-freeze manufacturer.



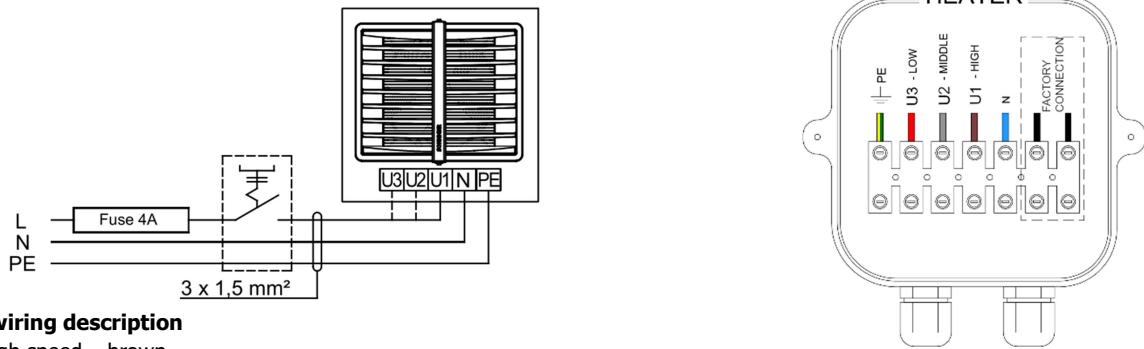




### 13. ELECTRICAL CONNECTION DIAGRAMS

#### 13.1. Connecting HEATER CONDENS with no automatic control

\* The unit set does not consist of: a master switch, a fuse, a feeding cable

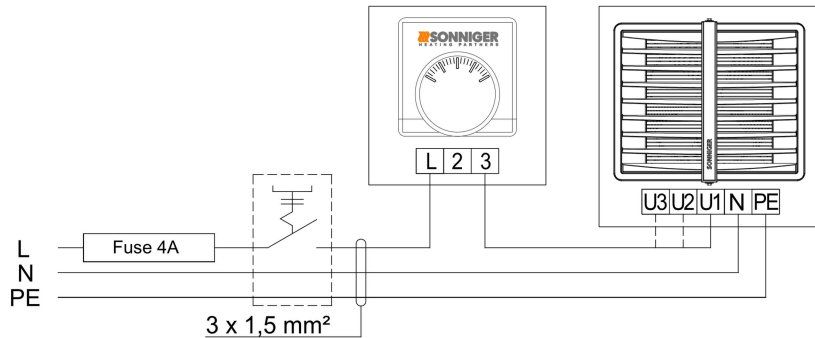


#### Fan wiring description

- U1** high speed – brown
- U2** middle speed – grey
- U3** low speed – red
- N neutral – blue
- PE protection - yellow/green

#### 13.2. Connecting HEATER MIX with TR-010

\*The unit set does not consist of: a master switch, a fuse, a feeding cable



#### 13.3. Connecting several HEATER CONDENS units with COMFORT panel, valves and actuators

\*The unit set does not consist of: a master switch, a fuse, a feeding cable

One COMFORT panel may regulate up to:

- **6 pcs** of HEATER CONDENS CR ONE
- **3 pcs** of HEATER CONDENS CR 1,2,3
- **2 pcs** of HEATER CONDENS MAX

**HEAT** - the thermostat gives an operation signal to the actuator and fan, the fan turns off when the set temperature is reached, the valve closes the water supply

**FAN** - device fan operation according to the thermostat, valves do not work

**COOL** - the thermostat gives an operation signal to the actuator and fan, the device starts to work when the set temperature is reached

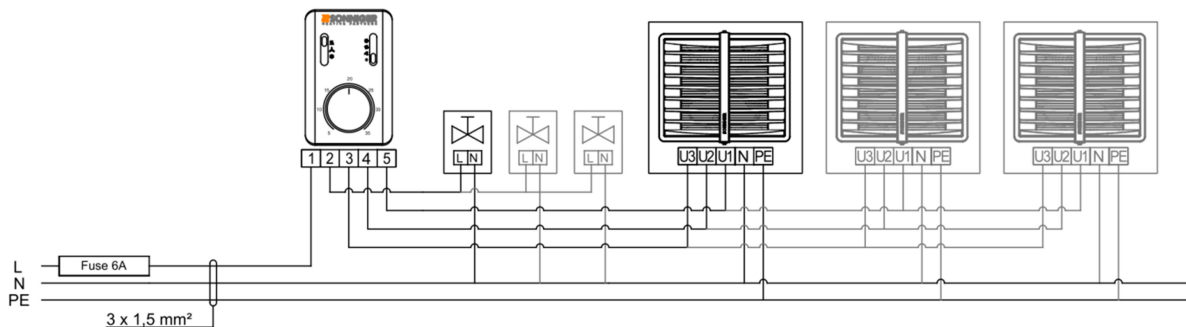
**Attention! It is possible to use an additional change of the SR1 to SR1 CONST jumper position, in this case the fan can operate regardless of the thermostat.**

Thermostatic operation is only for valves. In this case:

**HEAT** - fan operation regardless of the thermostat, valves work up to the set temperature

**FAN** - device fan operation, regardless of the thermostat, valves do not work

**COOL** - fan operation regardless of the thermostat, valves work from the set temperature



### 13.4. Connecting HEATER CONDENS with panel INTELLIGENT WIFI

Panel Intelligent controls actuators/valves and automatically regulates fans' speed depending on the required room temperature. Fan speed changes automatically at a lower rate when the temperature in a room gets closer to the desired one.

Additional functions – weekly thermostat, availability of BMS communication signals

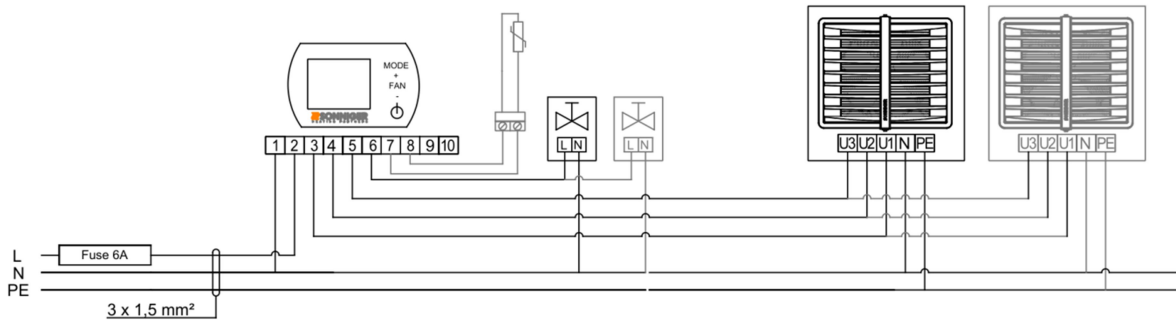
Possibility to connect outside temperature sensor NTC, supplied with cable length 5 m, max cable length 20 m.

For HEATER CONDENS MIX1 and MIX2, You can use the INTELLIGENT Panel with sensor NTC and work mode COOL.

One INTELLIGENT panel may regulate:

- **up to 4 pcs** of HEATER CONDENS CR ONE
- **up to 2 pcs** of HEATER CONDENS.
- **only 1 pcs** of HEATER CONDENS CR MAX

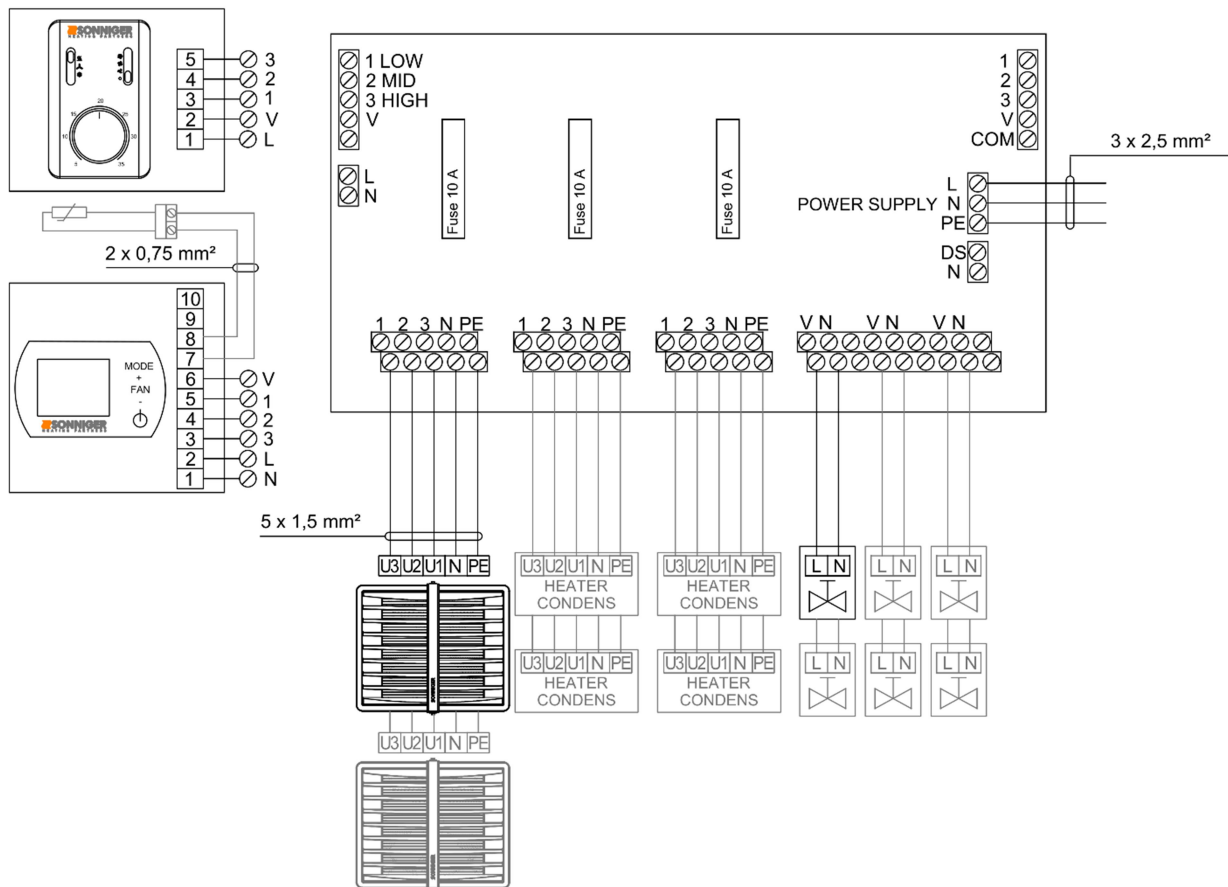
*\*The unit set does not consist of: a master switch, a fuse, a feeding cable*



### 13.5. Splitter MULTI 6 - control up to 6 pieces of HEATER CONDENS / HEATER CONDENS MAX or 12 pcs of HEATER CONDENS CO ONE from one COMFORT or INTELLIGENT Panel

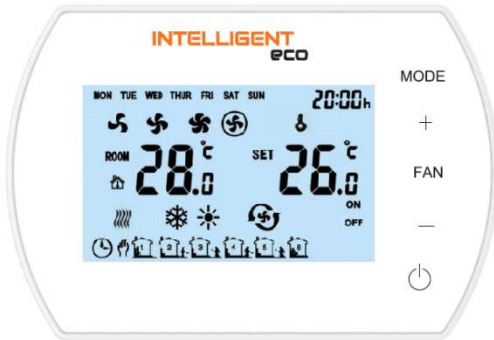
MULTI 6 Splitter allows to connect and control more fan heaters (up to 6/12 pcs.) and valves with actuators (up to 6/12 pcs.). Control of fans and valves is done using COMFORT or INTELLIGENT panel.

To connect more than 6 fans and valves, it is possible to connect Splitter MULTI 6 with each other (maximum extension of up to 10 MULTI 6 splitters). In such case, in the first Splitter MULTI 6 there should be connector DS-N left open, in other Splitters MULTI 6 (2...10) connector DS-N must be closed.



### 14. PANEL INTELLIGENT WIFI – programmable controller manual

Panel Intelligent WIFI controls actuators/valves and automatically regulates the fan's speed depending on the required room temperature. The lower temperature in the room the higher the air output is set. Fan speed changes automatically at a lower rate when the temperature in a room gets closer to the desired one. Intelligent WIFI allows to manage work of the device via the mobile app TUYA SMART.

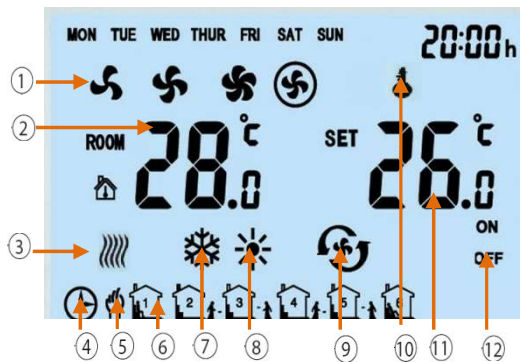


#### Functions

Panel INTELLIGENT is designed for the SONNIGER products

- Weekly thermostat (5/1/1 days)
- Automatic or manual 3-step fan speed adjustment.
- Control room temperature (by opening/closing the valve, or by adjusting air volume automatically).
- Antifreeze mode- protection against dropping room temperature below critical level 5 ~ 15 °C.
- Possibility to connect external NTC temperature sensor.
- BMS communication by MODBUS protocol
- Wireless control via TUYA SMART app
- Dry contact feedback

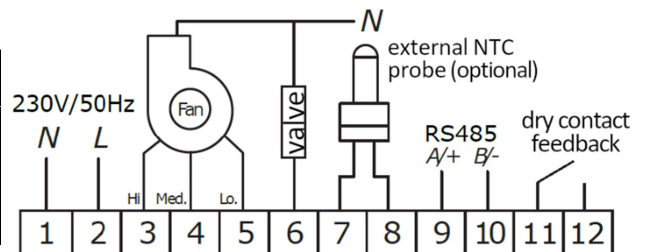
#### Panel description



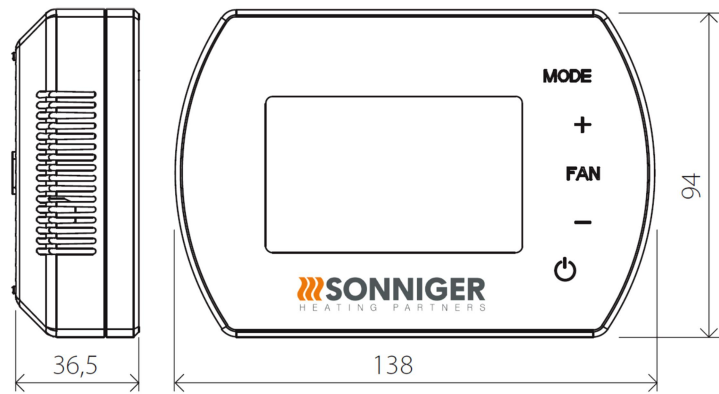
- |  |  |
|--|--|
| <ol style="list-style-type: none"> <li>1. Fan Speed: LOW, MED, HI and AUTO</li> <li>2. ROOM TEMP. or NTC EXTERNAL SENSOR TEMP. (measured temperature)</li> <li>3. Anti-freeze indication</li> <li>4. Automatic programable mode</li> <li>5. Manual mode</li> <li>6. 6 Time Zones for each day</li> <li>7. Cooling Mode</li> <li>8. Heating Mode</li> <li>9. Ventilation Mode</li> <li>10. Buttons Lock</li> <li>11. SET TEMP. (desired room temperature)</li> <li>12. ON/OFF status of time zones</li> </ol> | <ol style="list-style-type: none"> <li>13. MODE Press shortly to select manual or automatic mode Press and hold for 3 s and select colling, heating or ventilation mode</li> <li>14. FAN Press shortly and select fan speed: Low, Med, High or Auto</li> <li>15. ON/OFF INTELLIGENT Panel</li> </ol> |
|--|--|

#### Technical parameters

1	Power supply	230VAC/50Hz
2	Temperature setting range	5°C 40°C
3	Temperature working range	-10°C 60°C
4	IP class	20
5	Temperature sensor	Internal / external NTC (optional)



**Dimensions**



**Settings menu**

When Panel Intelligent is switched off, press and hold MODE for 5 seconds

To change option use MODE button.

To change value use +/- buttons.

Setting menu	Option	Value
1	Temperature calibration	-9°C ~ +9°C
2	EEPROM	0: no memory 1: memory
3	Fan status	C1: Thermostatic mode C2: Continuous mode
4	Temperature sensor	0: Internal Sensor 1: External Sensor NTC (optional)
5	Antifreeze	0: Off 1: On
6	Antifreeze range	+5°C ~ +15°C
7	ALARM	0: disable 1: enable
8	Drycontact	0: NO 1: NC
9	MODBUS	0: disable 1: enable
10	BMS speed	0-2400 / 1-9600 / 2-19200
11	Modbus ID	1~247 (01~F7)

**Button lock / unlock** 

To LOCK buttons press and hold + and then - and hold both of them for 5 seconds.

To UNLOCK buttons press and hold + and then - and hold both of them for 5 seconds.



**Press MODE**

Change on manual mode  or automatic mode 

**Hold MODE for 5 seconds**

Change to cool mode , heating mode , ventilation 








**Press FAN**

Change of the fan speed low , medium , high , auto 

**Hold FAN for 5 seconds**

Manual calendar programming Monday – Friday, Saturday, Sunday 6 settings per day

**BMS Functions**

-  Setting/Reading work parameters
-  Work/Stop conditions
-  Weekly program
-  Temperature
-  Fan speed
-  Heating, ventilation, cool mode
-  Antifreeze mode

No.	Setting	Parameters
1	Working Mode	RS485 Semi-duplex; PC or main controller is master; thermostat is slave
2	Interface	A(+),B(-), 2 wires
3	Baud Rate	0-2400 / 1-9600 / 2-19200
4	Byte	9 bits in total: 8 data bit + 1 stop bit
5	Modbus	RTU Mode
6	Transmittion	RTU (Remote Terminal Unit) format (please refer to MOBUS instruction)
7	Thermostat address	1–247 ; (0 is broadcast address and stand for all thermostat without response)

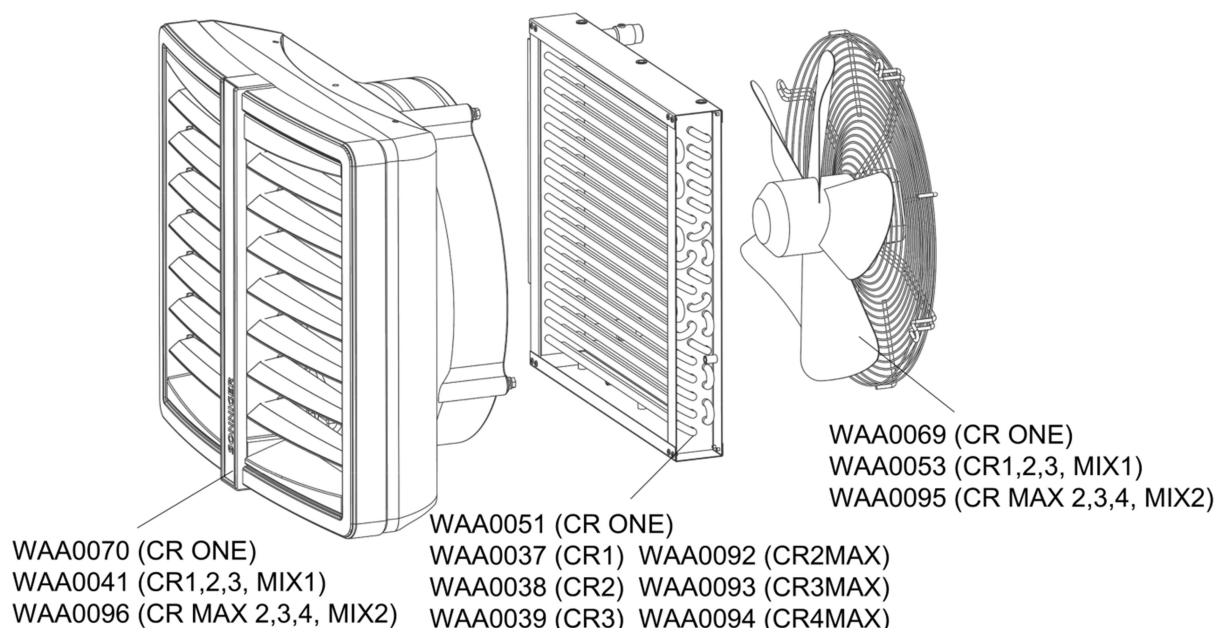
### WIFI functions

- ▮ Setting/Reading work parameters
- ▮ Work/Stop conditions
- ▮ Weekly program
- ▮ Temperature
- ▮ Fan speed
- ▮ Heating, ventilation, cool mode

### CONNECTION OF THE PANEL INTELLIGENT WIFI WITH THE TUYA APPLICATION

1. Download the Tuya Smart app (available at App Store and Google Play)
2. The Control panel connects to the power supply and device, Panel INTELLIGENT should stay off
3. Turn on the Tuya app and follow the instruction in the app
4. For the connection process, please enable the GPS and Bluetooth in the phone
5. To activate the pairing mode in the INTELLIGENT Panel tap twice and hold the "+" symbol for 5 seconds until the "SA" symbol shows on the left side of the screen
6. Choose the „Add device" function, and the app should find the control panel automatically, press the "Add" button, and after completing the configuration process, press "Next" and "Finished"
7. In the absence of the "Add" function, select the "Small devices" tab and the "Thermostat (Wi-Fi)" function. After that enter the data to connect to the selected WiFi network and confirm, and then "Blink slowly".
8. A screen will be displayed with information about searching for a device. After detecting the driver, the connection process is automatic. after completing the configuration process, press "Next" and "Finished"

### SPARE PARTS



### COMPLIANCE WITH WEEE 2012/19/EU

In accordance with applicable legal regulations, at the time of purchasing new electrical or electronic equipment with the following mark:



REMEMBER IT IS FORBIDDEN TO PLACE THE WORN EQUIPMENT WITH OTHER WASTE  
For information on the waste collection system of electrical and electronic equipment, please contact your distributor

## GUARANTEE TERMS AND CONDITIONS

### §1 Guarantee Scope

1. The Guarantee entitles the Buyer to have the device or its part replaced with the faultless one only if within the Guarantee period the Manufacturer claims that a disclosed defective product or part cannot be repaired.
2. The proof of purchase and a correctly completed complaint form must be delivered to demand repairs with no additional costs.
3. This Guarantee covers material defects of the device which make its functioning impossible. This Warranty does not extend to the installation and maintenance works.
4. The Guarantee for the product sold by the Seller covers 24 months. The guarantee period commences upon delivery of the device to the Buyer specified in the sales invoice. The warranty covers any parts/components specified in the scope of the delivery.
5. Products delivered by third persons are guaranteed by this supplier.
6. Devices may be started and serviced only by qualified persons trained in the areas of maintenance and operation of the device. Any operations related to start, maintain, and repairs must be noted that such operations have occurred in the Guarantee Card.
7. The precondition for issuing the Guarantee by the manufacturer is the assembly and activation of the device following the Operation and Maintenance Documentation not later than 6 months after the date of purchase.
8. The product is guaranteed for a full period of warranty only if service works implied in the Operation and Maintenance Documentation for the device specified in the 'Maintenance' section are carried out. All services related to the maintenance of the device are carried out at the User's cost and expense.
9. The provision of warranty services does not cease or suspend the duration of the Warranty. The warranty for replaced or repaired parts/elements shall end with the expiry of the Guarantee for the device.

### §2 Warranty Exclusions/Disclaimers

1. The Warranty does not extend to the mechanical damages and damages to electrical parts caused by improper use, transport, abnormal voltage, or other damages arising from a product defect. For the above reasons, the Warranty is solely limited to the replacement of parts/components having construction defects that shall be delivered without any additional costs only if the defective part/component has been returned.
2. The Warranty for devices does not apply when technical mistakes occurred during the procedures concerning installation, regulation, and control including any of the following:
  - a) Defects caused by connecting a device to an inappropriately designed ventilation system that allows additional heat loads that do not meet any standards and decrease the efficiency of the heat exchanger.
  - b) Defects caused by connecting to the components or parts that are part of the heating system but have not been delivered by the Seller and whose inappropriate functioning has a negative impact on the device's functioning.
  - c) Defects caused by connecting to the components that are not original spare parts
  - d) Defects incurred by reselling the product by the first buyer/user to another buyer who dismantles/installs the device that was previously installed and operated in a specific building and its conditions.
  - e) Defects caused by improper expertise and insufficient knowledge of the installer and technical staff who, in an improper way carry out after-sale service of the device
  - f) Defects caused by special conditions of use that differ from typical/standard applications unless the parties (the Seller and customer's technical staff) have previously agreed otherwise in writing.
  - g) Defects incurred by natural disasters such as fire, explosions, and other incidents that may result in damages to mechanical, electrical, and protection devices
  - h) Defects are caused by inappropriate cleaning of the technical facility or place where the device has been installed; cleaning must take place periodically to suit the specific working conditions and the amount of dust.
  - i) Defects arised from the absence or improper cleaning of heat exchangers; cleaning must be done periodically to suit the specific working conditions and the amount of dust.
  - j) Defects incurred by the inappropriate installation are inadequate for the low outside temperature of working conditions.
  - k) Defects incurred by the low temperature if no protection device is installed by the installing contractor to avoid:
    - low temperatures on electrical and mechanical parts such as valves, electric and electronic controlling devices,
    - water condensation and frost/ice near the device,
    - thermal shock of the heater and heat exchanger caused by sudden changes of the outside temperature.

### §3 SONNIGER is not liable to:

1. Current maintenance works, and inspections follow from Operation and Maintenance Documentation and device programming.
2. Defects caused by banking of a device while waiting for the warranty service.
3. Any and all defects caused to the company's property.

### §4. Complaint Procedure

1. In the event of a complaint under the Warranty conditions, the user may make the lodge a complaint directly to the Distributor.
2. All repairs covered by the warranty shall be done as part of the activity of an installation company and Factory Service. All repairs ensuing from the guarantee shall be done in a place where the device is installed.

**Operation and maintenance documentation HEATER CONDENS v202301**

3. The user with respect to the service activities is obliged to:
  - Allow full access to the rooms where the devices were installed and provide the necessary facilities allowing direct access to the device (lift, scaffolding, etc.) in order to do all the servicing covered by the guarantee.
  - Present the original of the Guarantee Card and VAT invoice recording the purchase,
  - Ensure safety while doing the servicing,
  - Allow starting works immediately after the arrival of the Service.
4. In order to make a complaint under the warranty it is necessary to deliver to the Distributor's address the following documents:
  - a correctly filled-in complaint form that is available at the website of [www.SONNIGER.com](http://www.SONNIGER.com)
  - a copy of the Guarantee Card
  - a copy of the proof-of-purchase - the sales invoice
5. Repair service including the replacement of the parts shall be done free of charge only if the representative of the installing contractor or the Service claims that the defect or faulty device is caused by the fault of the producer.
6. Any and all costs (cost of repair, travel, and exchanged components) incurred due to the unjustified complaint especially in the situation when the representative of the Installing Contractor of the Factory Repair Service claims that defect/damage was caused as a result of breaching the guidelines provided in the Operation and Maintenance Documentation or notices the exclusions under **§2 (Warranty exclusions) will be** requested from the Buyer/Customer who reported the failure.
7. The Claimant is obliged to give a written confirmation of the service provided.
8. SONNIGER is entitled to refuse the warranty service if SONNIGER has not received full payment for the product complained about under the Guarantee or any previous servicing activities.

**WARRANTY CARD**

INVESTMENT NAME.....

Unit type.....

Unit number.....

Purchase date.....

Startup date.....

Installation company date:

Name of startup Installer:.....

Company name.....

Address:.....

Phone.....

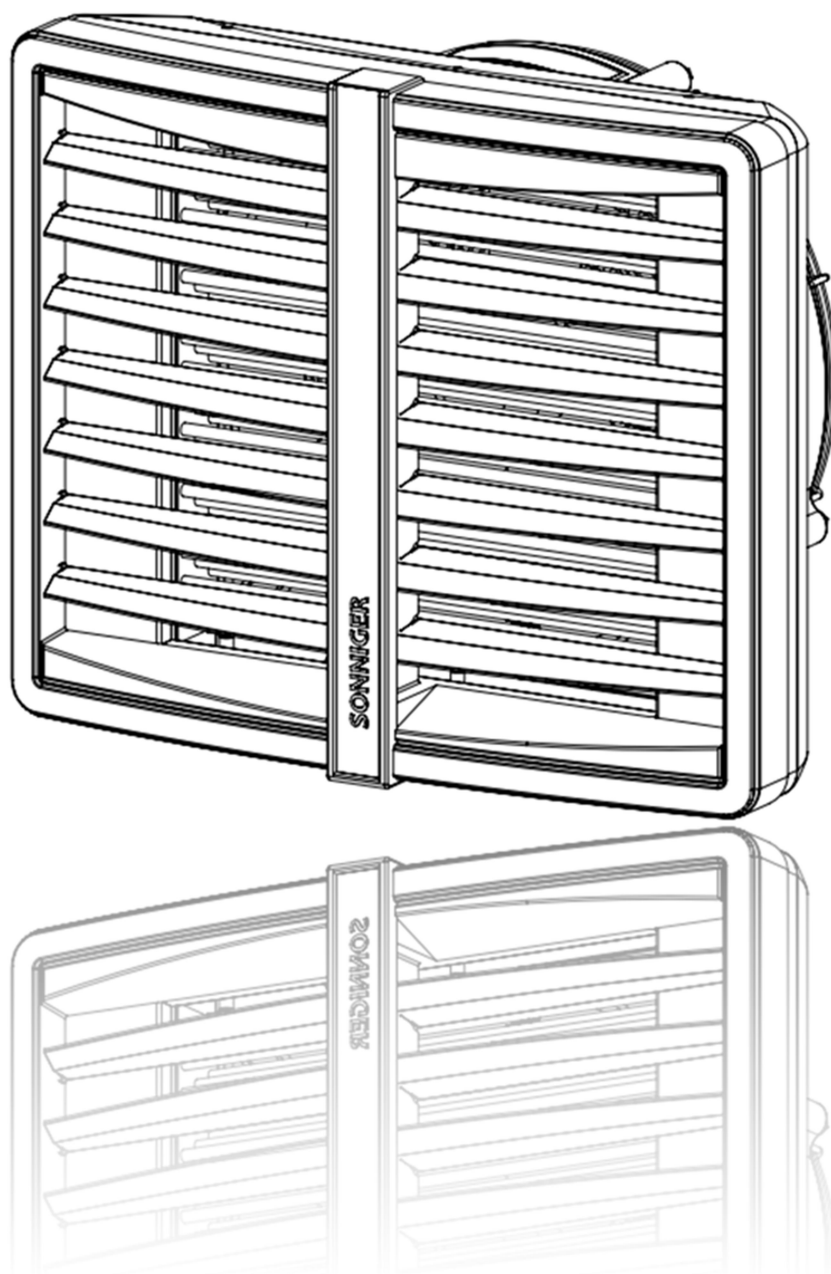
Signature of startup installer.....

Maintenance and repair registration:

Date	Maintenance and repair description	Stamp and signature of installation company



## Dokumentacja techniczno-ruchowa HEATER CONDENS



 **SONNIGER**  
HEATING PARTNERS

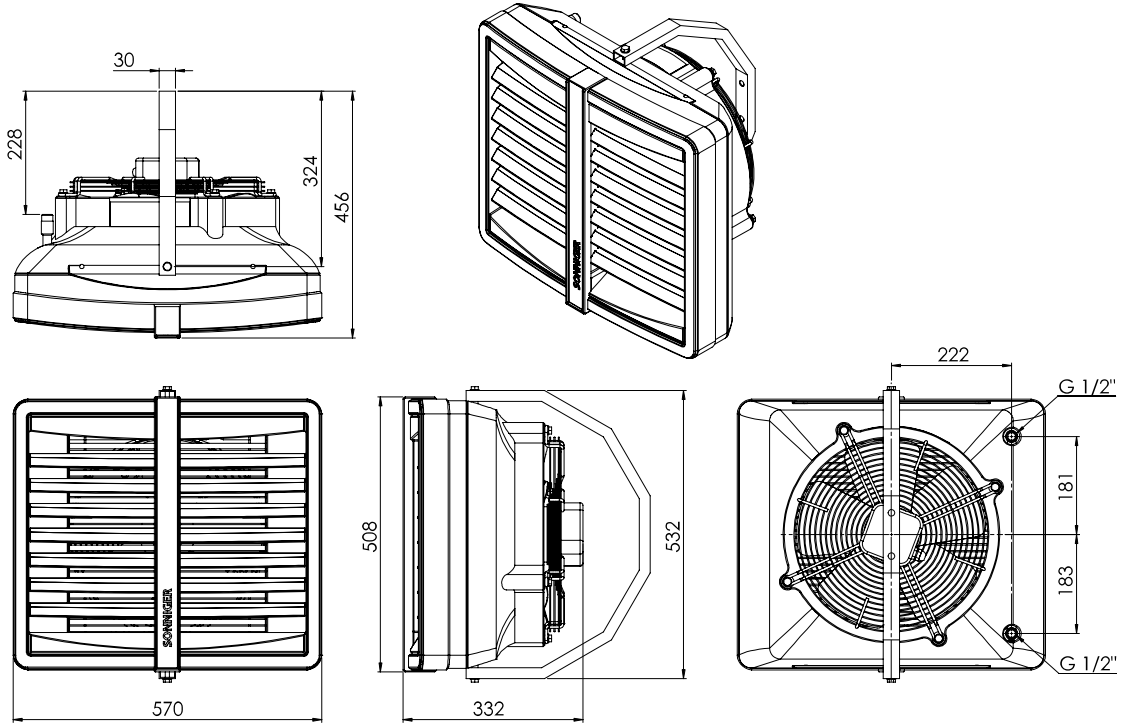
**SONNIGER S.A.**

ul. Śląska 35/37, 81-310 Gdynia, Poland, infolinia 801 055 155, tel. + 48 58 785 34 80, [www.sonniger.com](http://www.sonniger.com)  
Sąd Rejonowy Gdańsk-Północ, VIII Wydział Gospodarczy Krajowego Rejestru Sądowego, KRS 0000966611, NIP 586 227 35  
14 Regon 22154369 kapitał zakładowy: 1.655.000 PLN

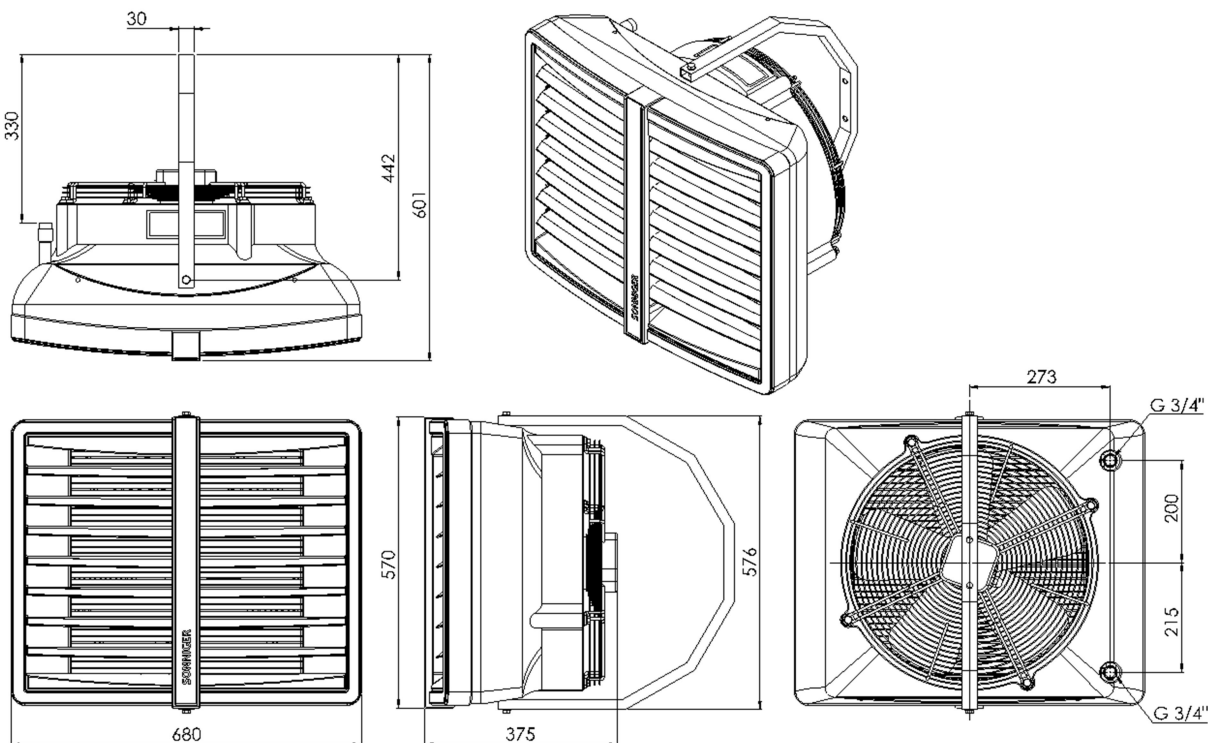
## 1. PRZEZNACZENIE

Aparaty grzewczo wentylacyjne HEATER CONDENS przeznaczone są do ogrzewania obiektów przemysłowych oraz kubaturowych, w szczególności takich jak: hale produkcyjne i magazynowe, salony i warsztaty samochodowe, hale sportowe i widowiskowe, obiekty sakralne, kościoły, sklepy i hurtownie, obiekty rolnicze, powierzchnie wystawowe. HEATER CONDENS to linia nagrzewnic wodnych dedykowanych do pracy z niskimi czynnikami grzewczymi (kotły kondensacyjne, przemysłowe pompy ciepła). Główne zalety HEATER CONDENS to: wysoka temperatura powietrza nawiewanego przy niskiej temperaturze czynnika grzewczego, maksymalne wykorzystanie powierzchni grzewczej wymiennika, a także nowa, "zagęszczona" geometria wymiennika ciepła oraz zoptymalizowany wydatek powietrza co pozwala osiągnąć wysoką temperaturę nawiewu na wszystkich biegach pracy urządzenia.

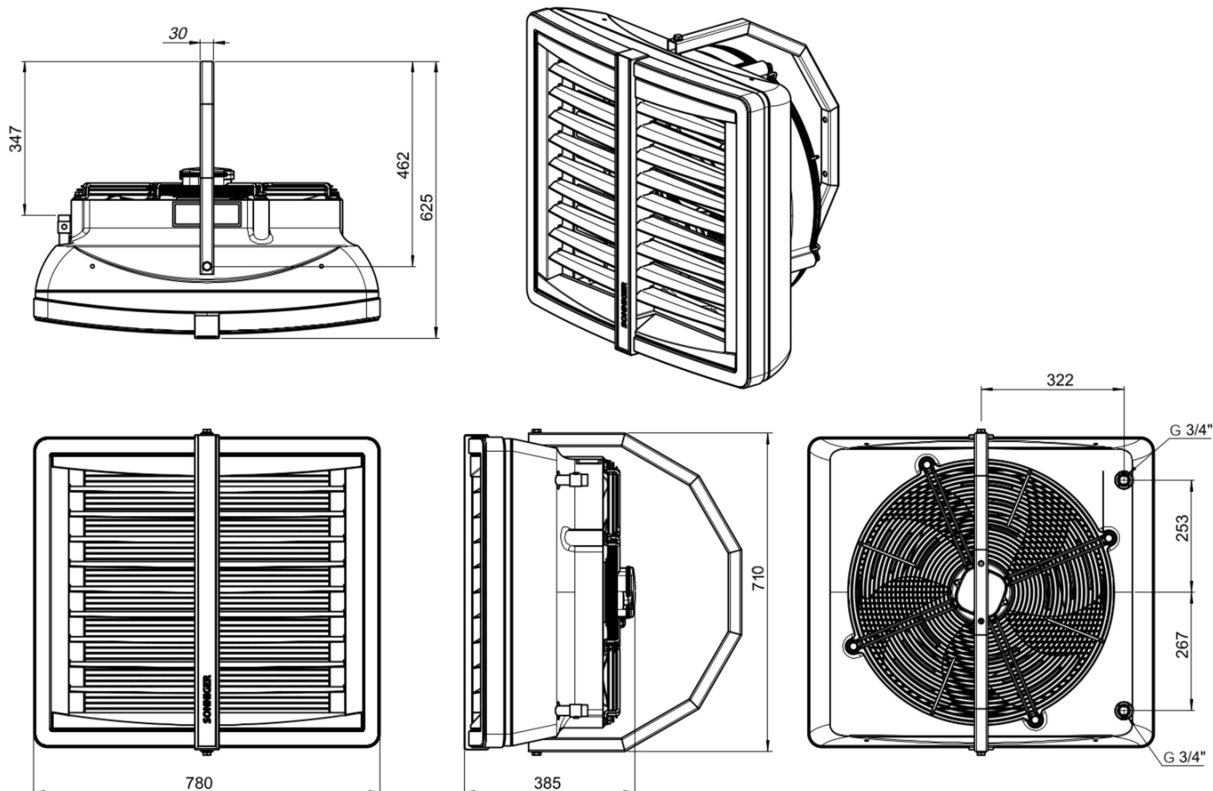
## 2. BUDOWA, WYMIARY, PODSTAWOWE PARAMETRY TECHNICZNE HEATER CONDENS CR ONE



## BUDOWA, WYMIARY, PODSTAWOWE PARAMETRY TECHNICZNE HEATER CONDENS CR1, CR2, CR3, DESTRYFIKATOR MIX 1



**BUDOWA, WYMIARY, PODSTAWOWE PARAMETRY TECHNICZNE HEATER CONDENS CR2 MAX, CR3 MAX, CR4 MAX, DESTRYFIKATOR MIX2**



**Podstawowe elementy nagrzewnicy HEATER CONDENS**

- ▮ obudowa wykonana ze spienionego polipropylenu EPP
- ▮ regulowane kierownice powietrza
- ▮ 3 biegowy wentylator osiowy o średnicach 350 mm, 450 mm, 550 mm
- ▮ zabezpieczenie przed bezpośrednim dostępem do elementów wirujących
- ▮ wymiennik ciepła zbudowany jest z miedzianych rurek umieszczonych w aluminiowym bloku lamelowym, z wyprowadzonymi miedzianymi króćcami zasilającymi 1/2" lub 3/4". Króćce zasilające wyposażone są w korki umożliwiające odpowietrzanie i spust czynnika grzewczego

PARAMETRY TECHNICZNE	NOWOŚĆ! seria HEATER CONDENS								DESTRYFIKATOR	
		CR ONE	CR1	CR2	CR3	CR2 MAX	CR3 MAX	CR4 MAX	MIX 1	MIX 2
sugerowany zakres mocy grzewczej*	kW	5-25	10-35	15-50	20-70	25-70	35-95	40-120	-	-
moc grzewcza (90/70°C) / ΔT przyrost temperatury powietrza**	kW / °C	19 kW/35°C	23 kW/18°C	39 kW/33°C	50 kW/48°C	55 kW/30°C	74 kW/49°C	94 kW /60°C	-	-
moc grzewcza (70/50°C) / ΔT przyrost temperatury powietrza**	kW / °C	13 kW/25°C	16 kW/13°C	26 kW/22°C	35 kW/34°C	40 kW/22°C	53 kW/35°C	68 kW/44°C	-	-
moc grzewcza (50/30°C) / ΔT przyrost temperatury powietrza**	kW / °C	7 kW/15°C	9 kW/8°C	13 kW/11°C	20 kW/20°C	25 kW/14°C	32 kW/21°C	42 kW/27°C	-	-
wydatek powietrza max - III bieg	m <sup>3</sup> /h	1 600	3 900	3 350	2 950	5 700	5 600	5 100	4 800	7 200
głośność pracy I/II/III bieg****	dB (A)	35/46/52	44/52/62	41/50/60	39/48/60	41/50/59	40/48/58	40/48/58	36/44/54	31/42/49
ilość rzędów nagrzewnicy		2	1	2	3	2	3	3	-	-
maksymalne ciśnienie robocze	MPa	1,6		1,6			1,6		-	-
maksymalny zasięg powietrza *****	m	14	24	21	19	26	25	23	13***	16***
średnica króćców	cale	1/2"		3/4"			3/4"		-	-
napięcie zasilania silnika	V/Hz /A	230/50 0,58A		230/50 1,08A			230/50 2,2A		230/50 1,08A	230/50 2,2A
moc silnika	W	124		250			520		250	520
obroty silnika	obr/min	1400		1350			1380		1350	1380
IP silnika		IP 54		IP 54			IP 54		IP 54	
masa urządzenia bez wody/z wodą	kg	9,6/10,7	10,8/11,9	12,7/14,8	14,5/16,9	23,6/25,2	25,2/27,4	25,5/28	9,2	15,8

\* przedział mocy grzewczej jest podawany dla zakresu temperatury czynnika grzewczego 50/30 - 120/90°C i temperatury powietrza wlotowej 0°C, III bieg wentylatora

\*\* dla temperatury powietrza wlotowego 0°C.

\*\*\* max wysokość montażu dla nadmuchu pionowego, przy prędkości granicznej 0,5 m/s

\*\*\*\* pomiar w odległości ok. 5 m od urządzenia

\*\*\*\*\* zasięg poziomy strumienia izotermicznego, przy prędkości granicznej 0,5 m/s.

### 3. INFORMACJE OGÓLNE

Aparaty grzewczo-wentylacyjne HEATER CONDENS są produkowane zgodnie ze standardami i normami dotyczącymi jakości, ochrony środowiska oraz użyteczności i komfortu działania. Urządzenia HEATER CONDENS dostarczane są w stanie całkowicie zmontowanym w kartonowym opakowaniu, które zabezpiecza przed uszkodzeniami mechanicznymi. Opakowanie zawiera: urządzenie, instrukcję obsługi (DTR) wraz z gwarancją. Zamówiona opcjonalnie automatyka dostarczana jest w oddzielnym opakowaniu. Należy sprawdzić zawartość opakowania bezpośrednio po dostawie. W przypadku stwierdzenia jakichkolwiek braków należy wypełnić odpowiedni protokół przewoźnika.

#### WAŻNE !

- ❶ Przed przystąpieniem do montażu należy zapoznać się dokładnie z instrukcją obsługi i przestrzegać wszystkich warunków montażu urządzenia. Nie przestrzeganie ich może spowodować niewłaściwą pracę urządzenia oraz utratę gwarancji.
- ❶ Należy zachować szczególną ostrożność przy obchodzeniu się z elementami elektrycznymi urządzenia.
- ❶ Wszystkie prace instalacyjne powinny być wykonane przez osoby o odpowiednich kwalifikacjach i uprawnieniach.

### 4. MONTAŻ

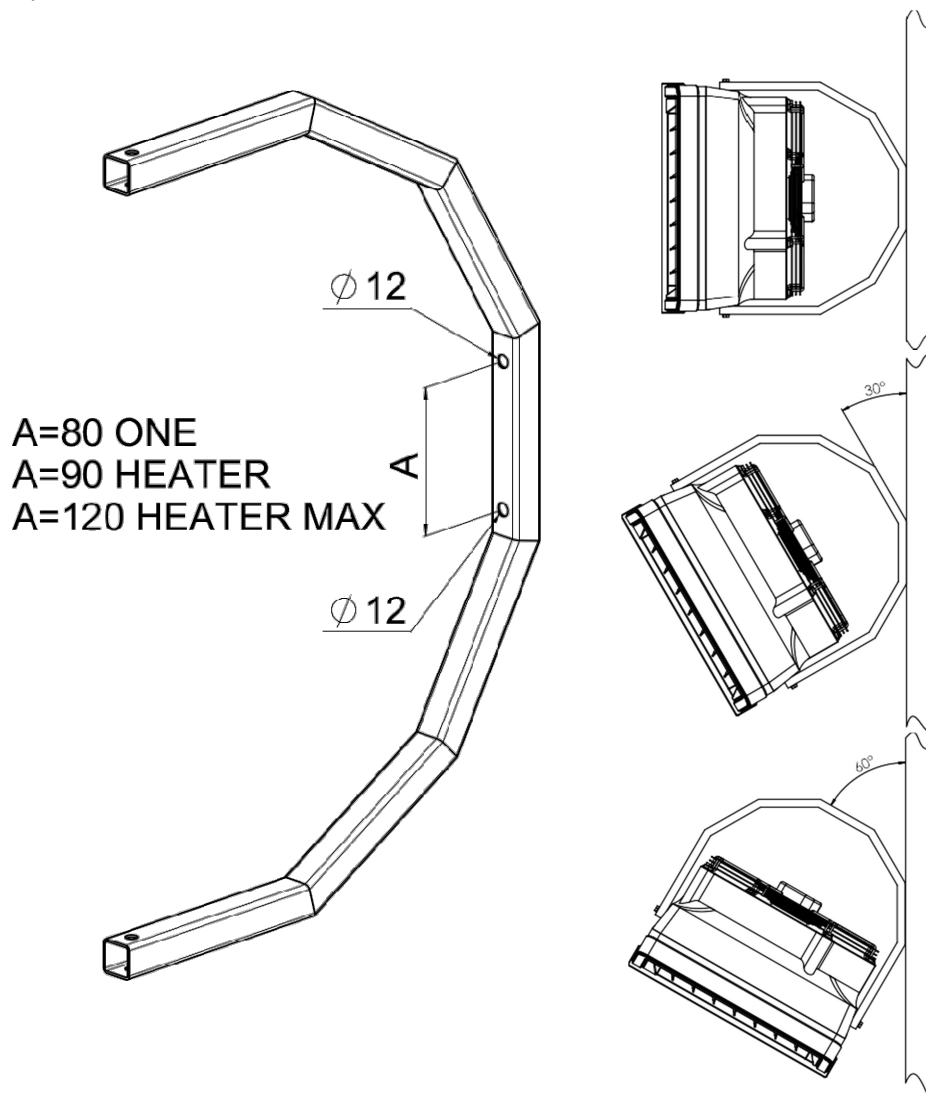
Ustalając położenie aparatu należy brać pod uwagę: łatwość dostępu dla serwisowania, dostęp do instalacji wodnej i elektrycznej oraz właściwe rozprowadzenie powietrza w pomieszczeniu.

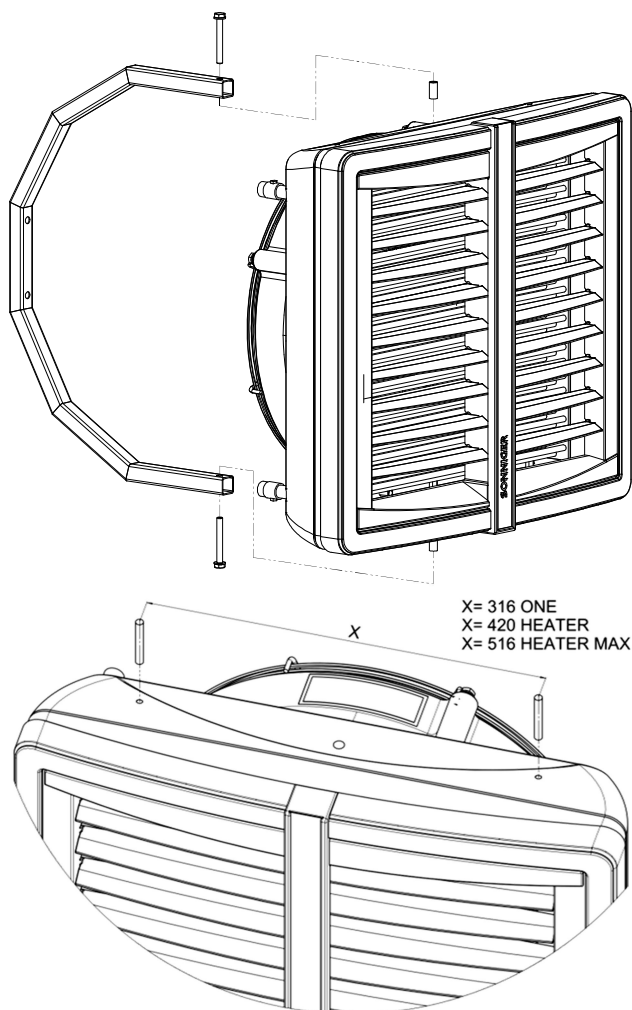
Każde urządzenie HEATER CONDENS jest wyposażone w komplet 2 wymiennych kolorystycznych wkładek. Zmianę koloru wkładek można dokonać poprzez wyjęcie wkładki z frontowego panelu urządzenia oraz włożenie nowej wkładki.

Zaleca się montaż aparatu w pozycji na ścianie lub pod stropem na fabrycznych konsolach montażowych, szpilkach nośnych (we własnym zakresie) lub konstrukcji wsporczych (kształty i wymiary konstrukcji nośnych można dowolnie zaprojektować przestrzegając wymagań wytrzymałościowych). W przypadku montażu pod stropem należy zwrócić uwagę na to, że odpowietrzenie aparatu może być utrudnione, zaleca się zastosowanie odpowietrzenia w najwyższym punkcie rurociągu.

Urządzenie można zainstalować do ściany z wykorzystaniem konsoli montażowej pod kątem 0°, 30° lub 60°.

Uchwyt konsoli montażowej wykonany jest z profilu giętego. Posiada dwa otwory do montażu nagrzewnicy na ścianie w pozycji poziomej. Montaż do ściany i/lub sufitu jest także możliwy pod innym kątem, jednakże wymaga to wywiercania niezbędnych otworów w uchwycie.





#### Montaż konsoli do nagrzewnicy

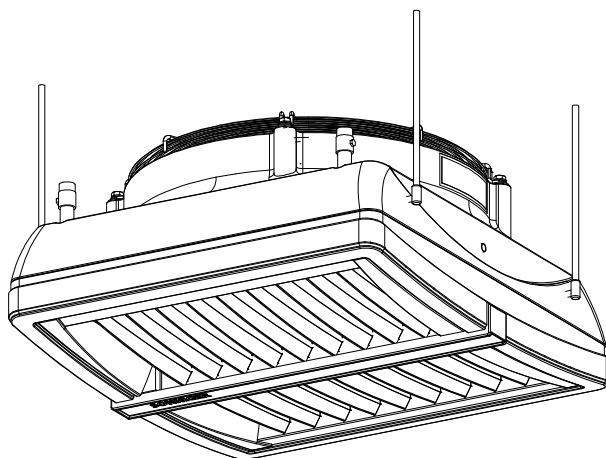
W skład konsoli montażowej wchodzi: uchwyt, dwie tuleje, a także dwie śruby M8 z podkładkami. W celu zamontowania konsoli należy wywiercić dwa otwory  $\text{\O}12-13\text{mm}$  w obudowie tylnej jak pokazano na rysunku. Specjalne wskaźniki na obudowie stanowią lokalizację otworów. W przygotowane otwory zamontować tuleje, a następnie nasunąć konsolę. Uchwyt należy przykręcić za pomocą dołączonych śrub M8 z podkładkami.

#### Instalacja szpilek

Istnieje możliwość montażu nagrzewnicy pod sufitem z użyciem szpilek montażowych M8. W tym celu należy wywiercić dwa otwory  $\text{\O}8-9\text{mm}$ . Miejsce pod szpilki są oznaczone widocznym wskaźnikiem na obudowie. Szpilki można wkręcić w ramę wymiennika na głębokość maksymalnie 20 mm.

### WAŻNE !

- ❶ Podczas wykonywania otworów w punktach wytrasowanych zachować szczególną ostrożność, istnieje ryzyko przewiercenia wymiennika!



#### Montaż destryfikatora HEATER MIX 1, MIX 2

Do montażu destryfikatora HEATER MIX pod sufitem należy użyć szpilek montażowych M8. W tym celu należy wywiercić cztery otwory  $\text{\O}8-9\text{mm}$ . Miejsce pod szpilki są oznaczone widocznym wskaźnikiem na obudowie. Szpilki można wkręcić w ramę wymiennika na głębokość maksymalnie 20 mm.

Szpilki montażowe oraz elementy łączące nie wchodzi w skład urządzenia

### WAŻNE !

- ❶ Wokół aparatu grzewczego należy zachować odpowiednie wolne przestrzenie: od boku aparatu = 200 mm, z tyłu (od wentylatora) = 300 mm

## 5. INSTALACJA ELEKTRYCZNA

Wykonanie instalacji elektrycznej i podłączenie zasilania do aparatu musi być zgodne z obowiązującymi przepisami i normami budowlanymi.

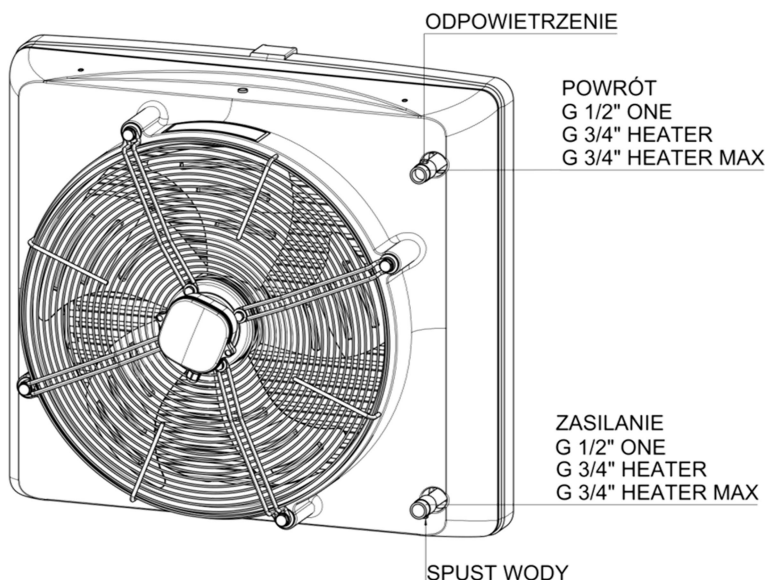
Silnik wentylatora posiada standardowo wewnętrzne zabezpieczenia termiczne, ochraniające silnik przed przegrzaniem. W skład zestawu nie wchodzi: kabel zasilający, ani wyłącznik główny (patrz schematy)

Podłączenie instalacji elektrycznej powinna wykonywać osoba o odpowiednich uprawnieniach, zaznajomiona z powyższą instrukcją. Podłączenie kabla zasilającego i wyłącznika głównego należy wykonać zgodnie ze schematem elektrycznym (bez lub z automatyką, w zależności od posiadanej opcji urządzenia). Uszkodzenie powstałe z w/w przyczyn nie jest objęte gwarancją i kosztami wymiany nagrzewnicy obciążony zostanie użytkownik. Podłączenie automatyki powinno się odbywać zgodnie ze schematem elektrycznym.

W przypadku jakichkolwiek niejasności lub problemów, należy odłączyć urządzenie od zasilania i zwrócić się do instalatora urządzenia lub bezpośrednio do Autoryzowanego Serwisu SONNIGER.

## 6. INSTALACJA WODNA

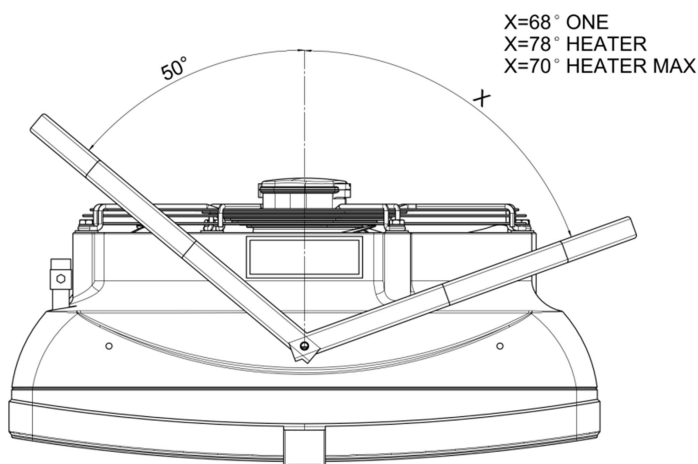
Podłączenie nagrzewnicy powinno być zrealizowane w sposób zapewniający możliwość obsługi serwisowej, na obu króćcach urządzenia powinny zostać zamontowane ręczne zawory odcinające, umożliwiające odłączenie aparatu. Przewody zasilające nagrzewnicę należy podłączyć według oznaczeń na obudowie aparatu (wlot/wylot). W przypadku zastosowania zaworu elektromagnetycznego (opcja - automatyka) należy go podłączyć na wylocie wody z urządzenia, inaczej może on ulec uszkodzeniu.



### Podłączenie czynnika grzewczego.

Króćce przyłączeniowe znajdują się w tylnej części urządzenia. Podłączając przyłącza hydrauliczne należy zabezpieczyć króćce przed momentem skrętnym. Nie dopuszcza się także obciążać króćców ciężarem rurociągu.

Spust czynnika grzewczego znajduje się na króćcu zasilającym, natomiast odpowietrzenie na króćcu powrotnym.



Nagrzewnicę można obracać względem konsoli montażowej w płaszczyźnie poziomej. W tym celu należy użyć elastycznych przyłączy hydraulicznych. Maksymalny obrót nagrzewnicy względem konsoli wynosi 70° HEATER CONDENS MAX, 78° dla HEATER CONDENS CR1,2,3 oraz 68° HEATER CONDENS ONE w obu kierunkach o ile pozwalają na to przyłącza hydrauliczne. Na rysunku pokazano maksymalny kąt w jednym kierunku i kąt 50° w drugim przy zachowaniu dostatecznej przestrzeni na przyłącza króćców.

## 7. AUTOMATYKA – INSTALACJA

Do aparatu może być zastosowany komplet automatyki (zasilanie napięciem 230 V), w skład którego wchodzi:

- ☛ Panel sterujący COMFORT NEW - zawierający manualny termostat pomieszczeniowy wraz z 3- stopniowym przełącznikiem prędkości obrotowej.
- ☛ Jeden panel sterujący COMFORT NEW może obsługiwać do 6 urządzeń HEATER CONDENS ONE, 3 urządzeń HEATER CONDENS, do 2 urządzeń HEATER CONDENS MAX
- ☛ Dwudrogowy zawór wodny z siłownikiem. Zawór należy zamontować na króćcu powrotnym nagrzewnicy.
- ☛ Elektroniczny panel sterujący INTELLIGENT - automatyczna zmiana prędkości obrotowej w zależności od temperatury w pomieszczeniu, programator tygodniowy, możliwość komunikacji z systemem BMS. Jeden panel sterujący może obsługiwać do 2 urządzeń HEATER CONDENS lub 1 urządzenia HEATER CONDENS MAX
- ☛ Rozdzielacz sygnału MULTI 6 - sterowanie do 6 szt. urządzeń HEATER CONDENS oraz HEATER CONDENS MAX lub 12 HEATER CONDENS CR ONE z jednego panelu COMFORT NEW lub INTELLIGENT

Po wykonaniu połączeń pomiędzy termostatem i siłownikiem zaworu, podłączeniu napięcia 230V na termostat oraz zasileniu silnika wentylatora poprzez regulator obrotów układ jest gotowy do pracy.



### Opis przełączników panelu sterującego COMFORT NEW

**OFF-I-II-III** – włącznik oraz przełączniki biegów pracy wentylatora

**HEAT** – termostat podaje sygnał pracy dla siłownika i wentylatora, wentylator wyłącza się w momencie uzyskania zadanej temperatury, zawór zamyka przepływ wody

**FAN** – praca wentylatora urządzenia od termostatu, zawory nie pracują

**COOL** – termostat podaje sygnał dla siłownika i wentylatora, urządzenie uruchamia się powyżej zadanej temperatury

## 8. PIERWSZY ROZRUCH/WŁĄCZENIE URZĄDZENIA

Po wykonaniu wszystkich podłączeń: (elektrycznych, wodnych i automatyki) oraz sprawdzeniu szczelności wszystkich przyłączy wykonanych przez instalatora oraz odpowietrzeniu nagrzewnicy, można przystąpić do uruchomienia urządzenia wg następującej sekwencji działań:

- 8.1. włączyć wyłącznik główny,
- 8.2. nastawić żadaną prędkość wentylatora wybierając odpowiedni bieg pracy na panelu sterującym,
- 8.3. nastawić oczekiwaną temperaturę na termostacie.

## 9. WYŁĄCZENIE URZĄDZENIA

W przypadku wyłączania urządzenia HEATER CONDENS należy postępować następująco:

- 9.1. pokrętkiem na termostacie ustawić temp. na minimum - po ok. 4 minutach. nastąpi całkowite zamknięcie zaworu i wyłączenie grzania,
- 9.2. wyłącznik główny ustawić w pozycji "OFF" (wyłączony), zostanie wyłączony wentylator oraz odcięcie zasilania termostatu.

## 10. EKSPLOATACJA URZĄDZENIA

Zespół silnika wraz z wentylatorem zastosowany w jednostkach HEATER CONDENS jest urządzeniem bezobsługowym, należy jednak okresowo sprawdzić stan silnika w tym stan łożysk (wirnik wentylatora powinien swobodnie obracać się wokół swojej osi, bez jakichkolwiek bić osiowych i promieniowych oraz bez żadnych stuków).

### WAŻNE !

- ❗ Jeżeli podczas pracy będą następowały metaliczne stuknięcia, wystąpią drgania lub wzrośnie poziom dźwięku emitowanego przez urządzenie, należy sprawdzić czy mocowanie wentylatora nie uległo obluźnieniu – w przypadku problemów należy skontaktować się z instalatorem urządzenia lub bezpośrednio z Autoryzowanym Serwisem SONNIGER

## 11. KONSERWACJA

Wymiennik ciepła nagrzewnicy wymaga regularnego czyszczenia z wszelkich zanieczyszczeń. Przed rozpoczęciem sezonu grzewczego należy oczyścić wymiennik ciepła skompresowanym powietrzem skierowanym na otworach wylotu powietrza; nie ma potrzeby demontowania urządzenia. Ze względu na możliwość łatwego uszkodzenia lamel wymiennika ciepła zachowaj szczególną ostrożność podczas czyszczenia. Jeżeli żeberka są zagięte wyprostuj je narzędziem specjalnie do tego przeznaczonym. Jeżeli urządzenie nie jest używane przez długi czas, odłącz od źródła prądu przed kolejnym użyciem.

Wymiennik ciepła nie posiada żadnych zabezpieczeń przed pożarem. Wymiennik ciepła może ulec uszkodzeniu jeżeli temperatura w pomieszczeniu pracy urządzenia spadnie poniżej 0°C.

W przypadku pracy urządzenia w pomieszczeniu, gdzie temperatura spada poniżej 0°C, należy dodać płyn przeciw zamarzaniu do wody w obiegu. Płyn przeciw zamarzaniu musi być dostosowany do materiału, z którego jest wykonany wymiennik ciepła (miedź), jak i inne komponenty obiegu hydraulicznego. Płyn należy rozcieńczyć w odpowiedniej proporcji zalecanej przez producenta płynu.



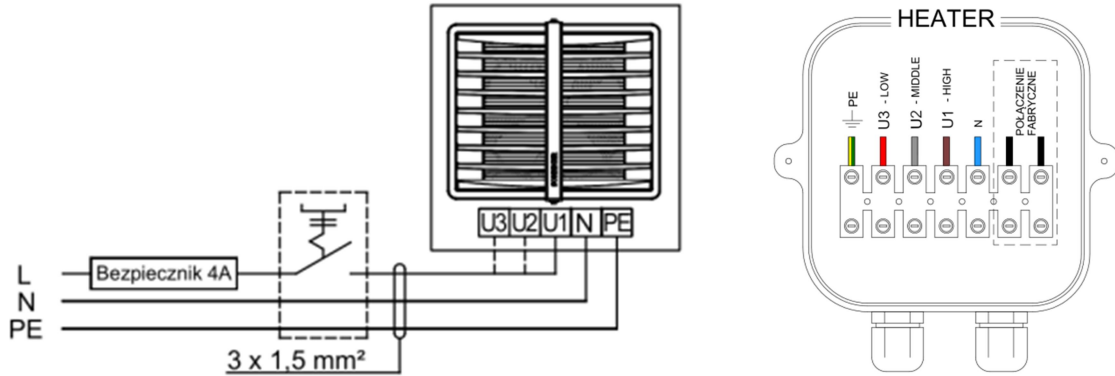




### 13. SCHEMATY PODŁĄCZEŃ ELEKTRYCZNYCH

#### 13.1. Podłączenie nagrzewnicy HEATER CONDENS bez automatyki

\* w skład urządzenia nie wchodzi: wyłącznik główny urządzenia, bezpieczniki oraz kabel zasilający



#### Opis okablowania silnika

**U1** high speed – brązowy

**U2** middle speed – szary

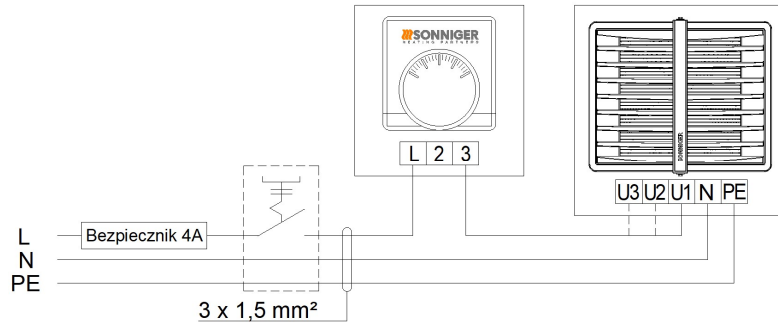
**U3** low speed – czerwony

**N** neutral – niebieski

**PE** protection - żółto/zielony

#### 13.2. Podłączenie destryfikatora HEATER MIX z termostatem pomieszczeniowym

\* w skład urządzenia nie wchodzi: wyłącznik główny urządzenia, bezpieczniki oraz kabel zasilający



#### 13.3. Podłączenie kilku nagrzewnic HEATER CONDENS z panelem sterującym COMFORT NEW oraz zaworami i siłownikami

w skład urządzenia nie wchodzi: wyłącznik główny urządzenia, bezpieczniki oraz kabel zasilający

Jeden panel sterujący COMFORT może obsługiwać:

- do 6 szt. nagrzewnic HEATER CONDENS CR ONE
- do 3 szt. nagrzewnic HEATER CONDENS
- do 2 szt. nagrzewnic HEATER CONDENS MAX

**HEAT** – termostat podaje sygnał pracy dla siłownika i wentylatora, wentylator wyłącza się w momencie uzyskania zadanej temperatury, zawór zamyka przepływ wody

**FAN** – praca wentylatora urządzenia od termostatu, zawory nie pracują

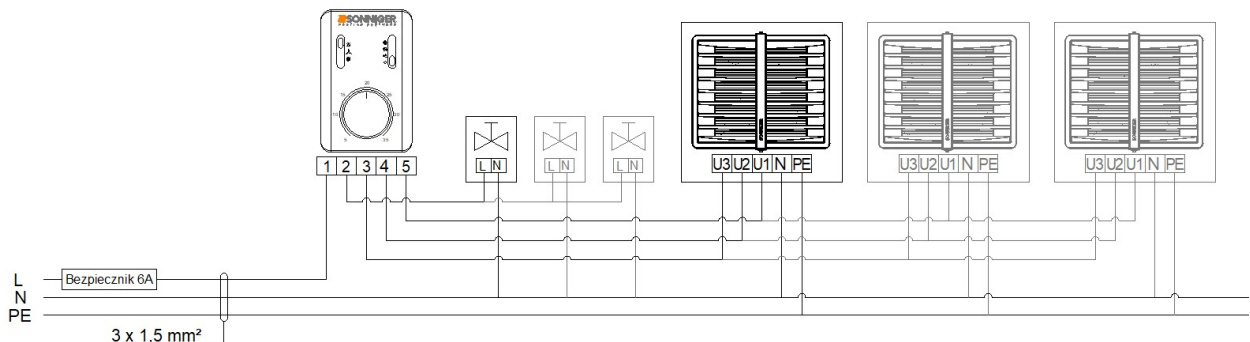
**COOL** – termostat podaje sygnał dla siłownika i wentylatora, urządzenie uruchamia się powyżej zadanej temperatury

Uwaga! Istnieje możliwość zastosowania dodatkowej zmiany położenia zwory SR1 na SR1 CONST, w tym przypadku możliwa jest praca wentylatora niezależnie od termostatu. Praca termostatyczna jest tylko dla zaworów. W takim przypadku:

**HEAT** – praca wentylatora niezależnie od termostatu, zawory pracują do zadanej temperatury

**FAN** – praca wentylatora urządzenia niezależnie od termostatu, zawory nie pracują

**COOL** – praca wentylatora niezależnie od termostatu, zawory pracują powyżej zadanej temperatury



### 13.4. Podłączenie nagrzewnicy HEATER CONDENS z panelem INTELLIGENT

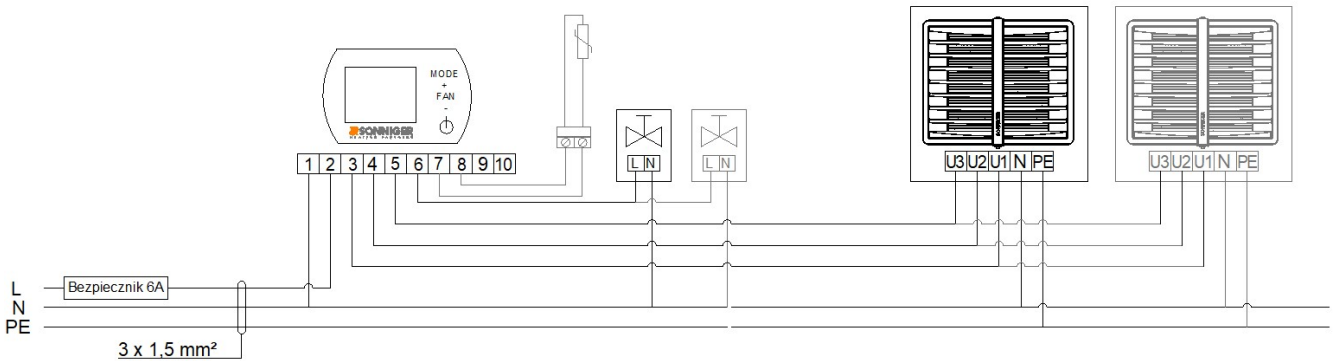
Panel INTELLIGENT steruje pracą siłowników/zaworów oraz prędkością obrotową wentylatora nagrzewnicy w zależności od zadanej temperatury w pomieszczeniu. Bieg pracy wentylatora automatycznie zmienia się na niższy w momencie dochodzenia do zadanej temperatury w pomieszczeniu. Możliwość wykorzystania tygodniowego programatora temperatury oraz komunikacji z systemami BMS.

Możliwość podłączenia fabrycznej czujki wyniesionej NTC długość 5 mb, maksymalne dopuszczalne przedłużenie przewodu do 20 mb.

Jeden panel sterujący INTELLIGENT może obsługiwać:

- **do 4 szt. nagrzewnic HEATER CONDENS CR ONE**
- **do 2 szt. nagrzewnic HEATER CONDENS**
- **1 szt. nagrzewnicy HEATER CONDENS CR MAX**

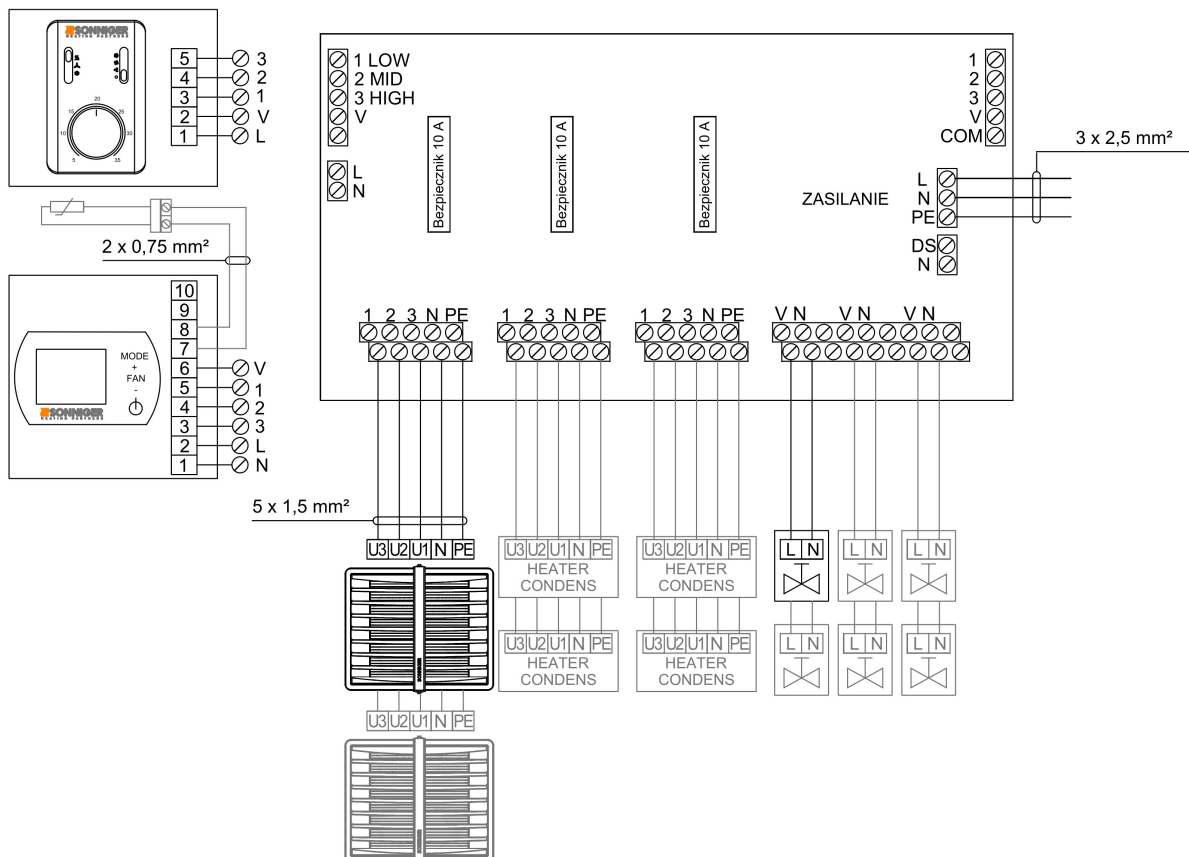
*\*w skład urządzenia nie wchodzi: wyłącznik główny urządzenia, bezpieczniki oraz kabel zasilający*



### 13.5. Rozdzielacz sygnału MULTI 6 - sterowanie do 6 sztuk urządzeń HEATER CONDENS oraz HEATER CONDENS CR MAX lub 12 HEATER CONDENS CR ONE z jednego panelu COMFORT NEW lub INTELLIGENT

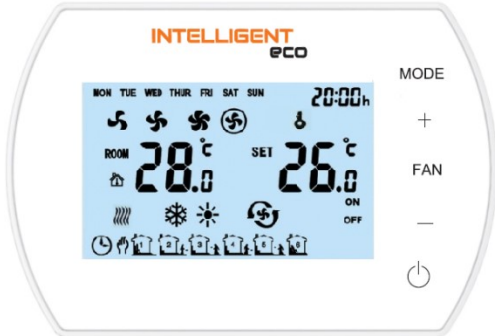
Rozdzielacz sygnału MULTI 6 umożliwia podłączenie i sterowanie większą ilością wentylatorów nagrzewnic (maksymalnie 6/12 szt.) oraz zaworów z siłownikami (maksymalnie 6/12 szt.). Sterowanie pracą wentylatorów oraz zaworów odbywa się za pomocą panelu sterującego COMFORT NEW lub sterownika INTELLIGENT.

Aby podłączyć więcej niż 6 wentylatorów, zaworów, możliwe jest łączenie rozdzielaczy ze sobą (maksymalna rozbudowa do 10 rozdzielaczy). W przypadku łączenia ze sobą rozdzielaczy, w pierwszym należy pozostawić rozwarte złącze DS-N. W pozostałych rozdzielaczach (2,...10) złącze DS-N należy zewrzeć.



## 14. UKŁAD AUTOMATYKI INTELLIGENT WIFI

Panel INTELLIGENT WIFI z tygodniowym programatorem oraz automatycznym trybem pracy wybiera bieg wentylatora w zależności od zadanej temperatury. Im niższa temperatura powietrza w pomieszczeniu tym większy wydatek powietrza. Zmiana prędkości pracy wentylatora następuje automatycznie bez ręcznej ingerencji użytkownika. Dodatkowo pozwala na kontrolę pracy urządzenia za pośrednictwem aplikacji w telefonie.



### Funkcje

Odczyt temperatury z czujnika wewnętrznego lub zewnętrznej czujki NTC.

Ręczne lub automatyczne 3-stopniowe sterowanie pracą wentylatora.

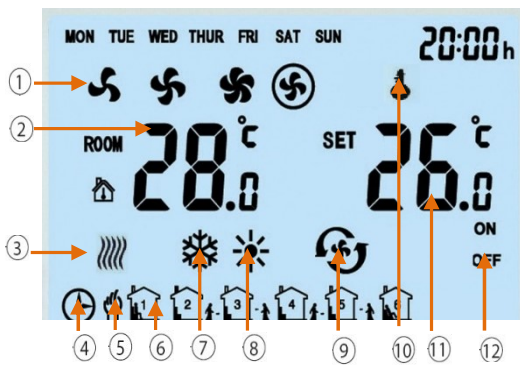
Programowanie tygodniowe 5/1/1 dni.

Zabezpieczenie przeciwzamrożeniowe 5 ~ 15 °C.

Sterowanie zdalne z poziomu aplikacji Tuya Smart

Styk bezpotencjałowy

### Opis panelu



- 1 - Prędkość pracy wentylatora: bieg 1, 2, 3 lub automatyczny
- 2 - Temperatura pomieszczenia
- 3 - Symbol zabezpieczenie przeciwzamrożeniowe
- 4 - Programowanie automatyczne
- 5 - Ustawienia ręczne
- 6 - 6 stref czasowych na dobę
- 7 - Tryb chłodzenie
- 8 - Tryb grzanie
- 9 - Tryb wentylacja
- 10 - Blokada ustawień
- 11 - Temperatura zadana
- 12 - On/Off status stref czasowych



### 13 - Tryb:

Naciśnij krótko, aby wybrać tryb ręczny lub tryb programowalny

Naciśnij i przytrzymaj przez 3 sekundy, wybierz tryb chłodzenia, tryb ogrzewania i tryb Wentylacji

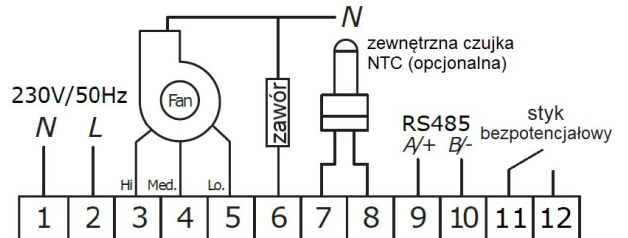
### 14 - Wentylator:

Naciśnij krótko, aby wybrać prędkość wentylatora spośród Low, Med, High lub Auto

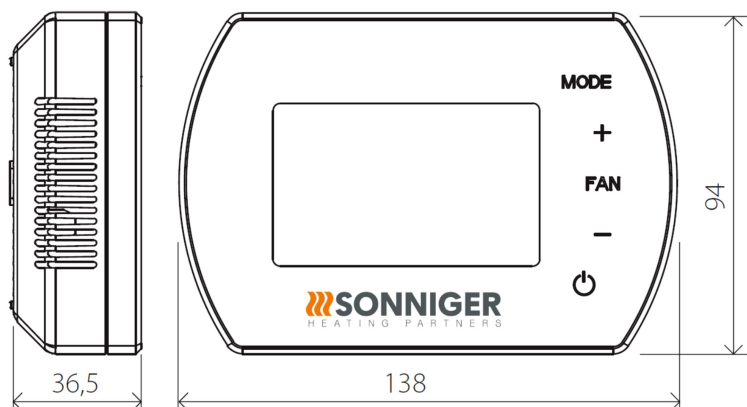
### 15 - Włącz / wyłącz panel INTELLIGENT

### Parametry Techniczne

1	Zasilanie	230V/50Hz
2	Zakres regulacji temperatury	5°C 40°C
3	Zakres pracy w warunkach	-10°C 60°C
4	IP	20
5	Czujnik temperatury	Wewnętrzny/(opcjonalnie) zewnętrzny NTC



## Wymiary



## Zarządzenie panelem

Podczas, gdy Panel INTELLIGENT jest wyłączony naciśnij i przytrzymaj przycisk MODE przez 5 sekund. Wyświetli się kod 1 wybierając „+” lub „-” zmień nastawę. Przytrzymując przycisk MODE dokonasz zmiany kodu.

Nastawa menu	Opcja	Wartość
1	Kalibracja temperatury	-9°C ~ +9°C
2	EEPROM	0: niezapamiętane 1: zapamiętane
3	Tryb pracy	C1: Tryb pracy termostatyczny C2: Tryb pracy ciągły
4	Wybór czujnika	0: Czujnik wewnętrzny 1: Zewnętrzny NTC
5	Antifreeze	0: Off 1: On
6	Zakres nastawy Antifreeze	+5°C ~ +15°C
7	Sygnal ALARM	0: niedostępny 1: dostępny ALARM
8	Ustawienie styku bezpotencjałowego	0: NO 1: NC
9	Funkcje MODBUS	0: niedostępne 1: dostępne
10	BMS prędkość	0-2400 / 1-9600 / 2-19200
11	Ustawienia protokołu MODBUS	1~247 (01~F7)




### Przycisk Zablokuj / Odblokuj

Naciśnij i przytrzymaj jednocześnie przyciski „+” i „-” przez 5 sekund, aby ZABLOKOWAĆ wszystkie przyciski. Naciśnij i przytrzymaj jednocześnie przyciski „+” i „-” przez 5 sekund, aby ODBLOKOWAĆ wszystkie przyciski.




### Przyciśnij przycisk MODE

Zmiana tryb ręczy  lub tryb automatyczny 

### Przytrzymaj 5 sekund przycisk MODE

Zmiana tryb chłodzenie , tryb grzanie , tryb wentylacja 








### Przyciśnij przycisk FAN

Zmiana prędkości pracy wentylatora niska , średnia , wysoka , automatyczna 

### Przytrzymaj 5 sekund przycisk FAN

Ręczne programowanie pon.-pt., sob., niedz. 6 nastaw na dobę panelu INTELLIGENT

## Funkcje BMS

-  Zarządzanie/Odczytywanie
-  Praca/Brak pracy urządzenia
-  Program tygodniowy
-  Temperatura
-  Bieg pracy wentylatora
-  Tryb grzanie, chłodzenie, wentylacja
-  Zabezpieczenie przeciwzamrożeniowe

Lp.	Dane	Specyfikacja
1	Working Mode	RS485 Semi-duplex; PC or main controller is master; thermostat is slave
2	Interface	A(+),B(-), 2 wires
3	Baud Rate	0-2400 / 1-9600 / 2-19200
4	Byte	9 bits in total: 8 data bit + 1 stop bit
5	Modbus	RTU Mode
6	Transmittion	RTU (Remote Terminal Unit) format (please refer to MODBUS instruction)
7	Thermostat address	1 – 247 ; (0 is broadcast address and stand for all thermostat without response)

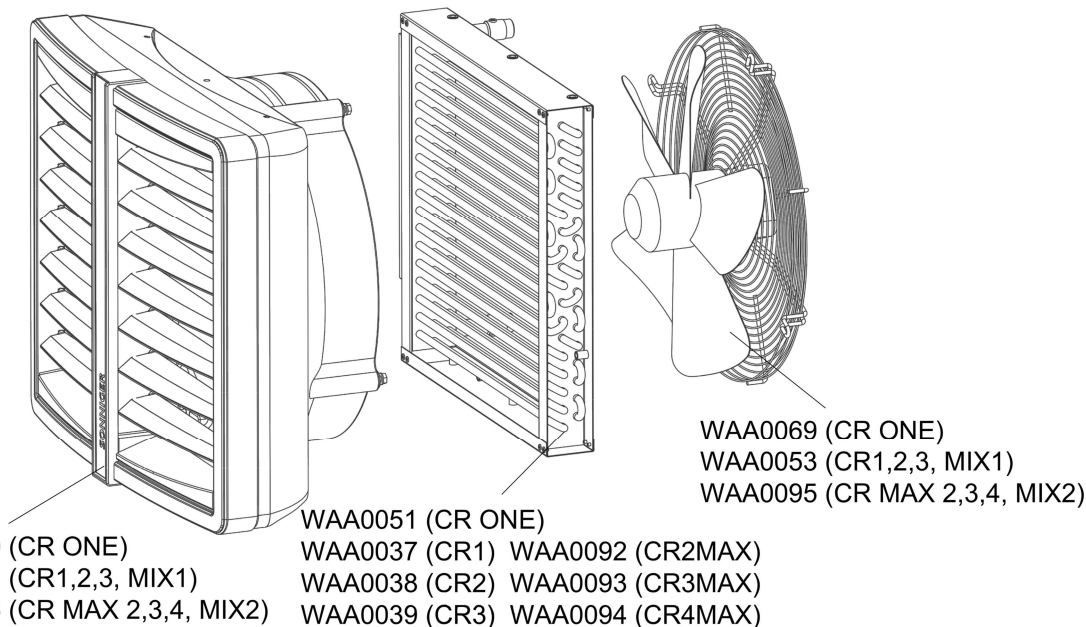
#### Funkcje WIFI

- » Zarządzanie/Odczytywanie
- » Praca/Brak pracy urządzenia
- » Program tygodniowy
- » Temperatura
- » Bieg pracy wentylatora
- » Tryb grzanie, chłodzenie, wentylacja

#### POŁĄCZENIE PANELU INTELLIGENT WIFI Z APLIKACJĄ TUYA

1. Pobrać aplikację Tuya Smart (dostępna w App Store oraz Sklep Play)
2. Panel sterujący podłączyć do napięcia oraz urządzenia, panel sterujący powinien być wyłączony
3. Włączyć aplikację Tuya i postępować zgodnie z instrukcją w aplikacji
4. W telefonie na czas łączenia należy włączyć Bluetooth oraz WiFi, a następnie włączyć aplikację Tuya
5. Smart Celem połączenia na panelu INETLLIGENT przytrzymać przycisk "+" 5 sekund do wyświetlenia się komunikatu SA po lewej stronie ekranu
6. Wybierz funkcję "Dodaj urządzenie", aplikacja powinna wykryć sterownik, wtedy należy przycisnąć klawisz "Add", a po zakończeniu procesu konfiguracji nacisnąć "Dalej" oraz "Zakończono"
7. W przypadku braku funkcji "Add" należy wybrać zakładkę "Małe urządzenia" i funkcję "Termostat (Wi-Fi)". Następnie należy wprowadzić dane do połączenia się z wybraną siecią WiFi i potwierdzić, a następnie "Blink słowly".
8. Wyświetli się ekran z informacją o wyszukiwaniu urządzenia. Po wykryciu sterownika, proces łączenia się przebiega automatycznie. po zakończeniu procesu konfiguracji nacisnąć "Dalej" oraz "Zakończono"

#### KATALOG CZĘŚCI SERWISOWYCH



#### ZGODNOŚĆ Z DYREKTYWĄ WEEE 2012/19/UE

Zgodnie z obowiązującymi przepisami prawnymi (ustawa z 29 lipca 2005 roku o użytych sprzęcie elektrycznym i elektronicznym Dz. U. 2005 Nr 180, poz. 1495 z późniejszymi zmianami oraz Ustawa z 21 listopada 2008 roku o zmianie ustawy o użytych sprzęcie oraz o zmianie niektórych innych ustaw Dz. U. 2008 Nr 223, poz. 1464) w momencie zakupu nowego sprzętu elektrycznego lub elektronicznego z umieszczonym znakiem:



Uwaga! PAMIĘTAJ OBOWIĄZUJE ZAKAZ UMIESZCZANIA ZUŻYTEGO SPRZĘTU ŁĄCZNIE Z INNYMI ODPADAMI (art. 22 ust. 1 Dz. U. 2005 Nr 180, poz. 1495)

Aby uzyskać informacje na temat systemu zbierania zużytego sprzętu elektrycznego i sprzęt elektroniczny prosimy o kontakt z dystrybutorem.

## OGÓLNE WARUNKI GWARANCJI UDZIELONEJ NA URZĄDZENIA

### § 1. Warunki gwarancji urządzeń serii GUARD, GUARD PRO, HEATER CONDENS

1. Klient ma prawo w ramach gwarancji do wymiany urządzenia lub jego elementu na nowy produkt, wolny od wad, tylko wtedy gdy w okresie gwarancji producent stwierdzi, iż usunięcie wady nie jest możliwe.
2. Dowód zakupu wraz z prawidłowo wypełnioną kartą gwarancyjną stanowi dla użytkownika podstawę do wystąpienia o bezpłatne wykonanie naprawy.
3. Niniejsza gwarancja obejmuje wady materiałowe urządzenia uniemożliwiające jego użytkowanie zgodnie z przeznaczeniem. Gwarancja nie obejmuje prac instalacyjnych oraz eksploatacyjnych.
4. Okres gwarancji wynosi 24 miesiące od daty dostarczenia urządzenia Nabywcy, która widnieje na fakturze sprzedaży i obejmuje wszystkie części/komponenty wchodzące w zakres dostawy.
5. W celu wykonania naprawy gwarancyjnej użytkownik jest zobowiązany do dostarczenia reklamowanego urządzenia do Serwisu Producenta.
6. Decyzją SONNIGER Polska, na czas rozpatrywania gwarancji, Producent może dostarczyć urządzenie zastępcze. Na dostarczone urządzenie zastępcze wystawiana jest faktura, która zostanie skorygowana w przypadku pozytywnego rozpatrzenia reklamacji.
7. W przypadku stwierdzenia powstania usterki w wyniku niezgodnego z dokumentacją techniczno-ruchową montażu, uruchomienia oraz eksploatacji urządzenia, gwarancja nie zostanie uznana.
8. Urządzenia mogą być uruchamiane i serwisowane wyłącznie przez osoby przeszkolone w zakresie obsługi i eksploatacji urządzeń, posiadające odpowiednie uprawnienia. Wszelkie czynności związane z uruchomieniem, pracami serwisowymi i naprawczymi należy bezwzględnie odnotować w niniejszej Karcie Gwarancyjnej.
9. Warunkiem udzielenia gwarancji jest montaż i uruchomienie urządzenia zgodnie z dokumentacją techniczno-ruchową, wykonane nie później niż 6 miesięcy od daty zakupu.
10. Warunkiem utrzymania gwarancji przez pełny okres gwarancyjny jest wykonywanie czynności serwisowych wskazanych w DTR dla danego urządzenia w dziale „Konserwacja”. Usługi serwisowe związane z konserwacją urządzeń dokonywane są na zlecenie i koszt Użytkownika.
11. Świadczenie usługi gwarancyjnej nie przerywa ani nie zawiesza okresu gwarancji. Gwarancja na wymienione lub naprawione elementy urządzenia kończy się z upływem terminu gwarancji na urządzenie.

### § 2. Warunki gwarancji urządzeń gazowych serii APEN GROUP

1. Okres gwarancji wynosi 12 miesięcy od dnia sprzedaży oraz 24 miesiące pod warunkiem dokonania rozruchu i przeglądu rocznego (przed sezonem grzewczym w okresie trwania gwarancji) przez osobę posiadającą odpowiednie uprawnienia gazowe lub Autoryzowany Serwis SONNIGER zgodnie ze wszystkimi wytycznymi zawartymi w Dokumentacji Techniczno-ruchowej urządzenia
- UWAGA! W przypadku montażu w warunkach szczególnych, przeglądy okresowe należy wykonywać zgodnie z pisemnym wskazaniem Producenta. Zmiana częstotliwości przeglądów może zostać wskazana w okresie gwarancji w wyniku wykrycia szczególnych warunków pracy urządzeń na obiekcie.**
2. Warunkiem udzielenia gwarancji jest montaż i uruchomienie urządzenia, wykonane nie później niż 6 miesięcy od daty zakupu.
  3. Wszelkie czynności wynikające z pierwszego uruchomienia oraz przeglądów okresowych należy wpisać w Kartę Gwarancyjną oraz dołączyć protokół/kopie wydruku z wykonanych czynności regulacyjnych i pomiarowych (analiza spalin).
  4. Producent udziela gwarancji, że jego produkty posiadają i będą posiadać przez określony czas właściwości ustalone przez normy techniczne, pod warunkiem przestrzegania warunków techniczno-eksploatacyjnych oraz regularnej konserwacji prowadzonej przez użytkownika, a także że produkty te są kompletne oraz bez wad.
  5. Naprawy objęte niniejszą gwarancją zostaną przeprowadzone w ramach działalności Autoryzowanych Serwisów SONNIGER. Naprawy wynikające z udzielonej gwarancji będą wykonywane w miejscu zainstalowania urządzeń.
  6. Gwarancję można zgłosić z tytułu wad materiałowych oraz w przypadku niepoprawności funkcjonowania produktów. Reklamacje zgłasza użytkownik bezpośrednio u Dystrybutora.
  7. Gwarancja staje się nieważna, w przypadku nie przeprowadzania regularnych prac konserwacyjnych, gdy produkt został poddany modyfikacjom przez osoby nie posiadające autoryzacji SONNIGER, gdy naruszono tabliczki fabryczne, gdy produkt został uszkodzony mechanicznie przy użyciu siły lub wskutek jego nieprawidłowego zastosowania, a także w przypadku usterki spowodowanej wypadkiem.
  8. W skład świadczeń gwarancyjnych nie wchodzi: rozruch, regularne prace konserwacyjne oraz kontrola roczna.
  9. W skład świadczeń gwarancyjnych nie wchodzi usuwanie usterek spowodowanych brakiem wiedzy na temat montażu oraz obsługi urządzenia.
  10. Użytkownik/Zgłaszający zobowiązany jest do zapewnienia warunków pracy serwisu zgodnych z aktualnymi przepisami prawa oraz warunkami eksploatacji i montażu zawartymi w Dokumentacji Techniczno-Ruchowej.
  11. Użytkownik/Zgłaszający zobowiązany jest umożliwić technikom serwisowym pełny i bezpieczny dostęp do urządzenia (w tym zakres wyższych i rusztowań wysokościowych).
  12. Świadczenie usługi gwarancyjnej nie przerywa ani nie zawiesza okresu gwarancji. Gwarancja na wymienione lub naprawione elementy urządzenia kończy się z upływem terminu gwarancji na urządzenie.

### § 3. Wyłączenia gwarancji

1. Gwarancją nie są objęte uszkodzenia mechaniczne oraz uszkodzenia części elektrycznych wynikające z nieodpowiedniego użytkowania, transportu, skoków napięcia lub innych przyczyn nie wynikających z wad produktu. W związku z powyższym, gwarancja obejmuje jedynie wymianę części/komponentów zawierających wadę konstrukcyjną, które zostaną dostarczone bez dodatkowych kosztów tylko wtedy gdy wadliwa część zostanie zwrócona.
2. Gwarancja na urządzenia nie obejmuje przypadku błędów technicznych zaistniałych podczas procedur związanych z instalacją, regulacją oraz sterowaniem w szczególności takich jak:

## Dokumentacja techniczna aparat grzewczo-wentylacyjny HEATER CONDENS PL v202301

- a. Wady wynikłe na skutek podłączenia urządzenia do nieodpowiednio zaprojektowanych systemów wentylacyjnych, które dopuszczają dodatkowe obciążenia cieplne, odbiegające od normy oraz pogarszają sprawność wymiennika ciepła
  - b. Wady powstałe w wyniku podłączenia do komponentów lub części, które są częścią systemu grzewczego, ale nie zostały dostarczone przez Sprzedającego, a których nieprawidłowe działanie/funkcjonowanie ma negatywny wpływ na pracę urządzenia.
  - c. Wady powstałe w wyniku podłączenia do komponentów nie będących oryginalnymi częściami zapasowymi
  - d. Wady powstałe w przypadku odsprzedaży produktu przez pierwszego nabywcę/użytkownika kolejnemu kupującemu, który zdemontuje/zainstaluje urządzenie, które było uprzednio zainstalowane i pracowało w określonym obiekcie i warunkach.
  - e. Wady będące skutkiem nieodpowiedniej ekspertyzy i niewiedzy instalatora oraz pracowników technicznych, którzy w nieodpowiedni sposób wykonują dalszy, posprzedażowy serwis urządzenia
  - f. Wady wynikające ze szczególnych warunków użytkowania, odbiegających od standardowych aplikacji o ile strony (Sprzedający i personel techniczny klienta) uprzednio uzgodniły je na piśmie.
  - g. Wady powstałe w wyniku klęsk żywiołowych jak pożar, eksplozje oraz incydenty, które mogą spowodować uszkodzenie urządzeń mechanicznych, elektrycznych i zabezpieczających produktu.
  - h. Wady wynikające z niewłaściwego czyszczenia pomieszczenia technicznego lub miejsca, w którym urządzenie jest zainstalowane, czyszczenie musi odbywać się okresowo, stosownie do warunków pracy i gromadzenia się kurzu.
  - i. Wady wynikająca z braku lub nieodpowiedniego czyszczenia wymienników ciepła urządzenia, czyszczenie musi odbywać się okresowo, stosownie do warunków pracy i gromadzenia się kurzu.
  - j. Wady powstałe w wyniku nieodpowiedniej instalacji niedostosowanej do niskiej zewnętrznej temperatury otoczenia warunków pracy
  - k. Wady powstała w wyniku warunków niskiej temperatury w sytuacji gdy firma instalacyjna nie montuje urządzeń zabezpieczających dla danego urządzenia w celu:
    - uniknięcia niskich temperatur na komponentach elektrycznych i mechanicznych takich jak zawory, elektryczne/elektroniczne urządzenia sterowania
    - uniknięcia kondensacji wody oraz tworzenia szronu/łodu w pobliżu urządzenia
    - uniknięcia szoku termicznego nagrzewnicy i wymiennika ciepła powstałego na skutek nagłych zmian temperatury zewnętrznej.
3. Gwarancja nie obejmuje części urządzeń ulegających normalnemu zużyciu, materiałów eksploatacyjnych.

### § 4. SONNIGER Polska nie ponosi odpowiedzialności za:

1. Bieżące prace konserwacyjne, przeglądy serwisowe wynikające z DTR oraz programowanie urządzeń.
2. Szkody spowodowane postojami urządzeń w okresie oczekiwania na usługę gwarancyjną.
3. Wszelkie szkody w innym niż urządzenia majątku Klienta.

### § 5. Procedura reklamacyjna

1. Reklamacje objęte niniejszymi Warunkami Gwarancji użytkownik zgłasza bezpośrednio do Producenta.
2. Świadczenia wynikające z niniejszej gwarancji zostaną zrealizowane w ciągu 14 dni roboczych od daty zgłoszenia. W wyjątkowych wypadkach termin ten może być wydłużony, w szczególności, gdy wada nie ma charakteru trwałego i jej ustalenie wymaga dłuższej diagnozy lub gdy świadczenie gwarancyjne wymaga sprowadzenia części lub podzespołów od poddostawcy
3. Użytkownik w ramach działań serwisowych zobowiązuje się :
  - umożliwić pełny dostęp do pomieszczeń w których zamontowano urządzenia wraz z zapewnieniem niezbędnej infrastruktury umożliwiającej bezpośredni dostęp do samego urządzenia (podnośnik, rusztowanie itp.) w celu przeprowadzenia prac serwisowych objętych niniejszą gwarancją.
  - okazania oryginału Karty gwarancyjnej oraz faktury VAT dokumentującej nabycie urządzenia,
  - zapewnienia bezpieczeństwa prac podczas wykonywania usługi,
  - zapewnienia możliwości rozpoczęcia prac bezpośrednio po przybyciu serwisu wykonującego usługę.
4. W celu zgłoszenia usterki objętej niniejszą gwarancją niezbędne jest przesłanie na adres Producenta następujących dokumentów:
  - a. Prawidłowo wypełnionego formularza zgłoszenia reklamacyjnego dostępnego na stronie [sonniger.com/zgloszenie-serwisowe](http://sonniger.com/zgloszenie-serwisowe)
  - b. Kopii wypełnionej Karty Gwarancyjnej.
  - c. Kopii protokołu pierwszego uruchomienia, przeglądu gwarancyjnego
  - d. Kopii faktury zakupu
5. Naprawa wraz z wymianą części zostanie wykonana bezpłatnie w przypadku, gdy przedstawiciel Autoryzowanego Serwisu SONNIGER stwierdzi, że uszkodzenie lub wadliwe działanie urządzenia powstało z winy urządzenia/producenta.
6. Wszelkie koszty (naprawa, dojazd, koszt części zamiennych) wynikłe z nieuzasadnionej reklamacji - w przypadku, gdy przedstawiciel Autoryzowanego Serwisu SONNIGER stwierdzi, że uszkodzenie powstało w wyniku nieprzestrzegania wytycznych przedstawionych w dokumentacji techniczno-ruchowej lub stwierdzi zaistnienie faktów przedstawionych w § 3 (Wyłączenia gwarancji) - zostaną pokryte przez Klienta dokonującego zgłoszenia awarii.
7. Zgłaszający reklamację zobowiązany jest do pisemnego potwierdzenia wykonania usługi serwisowej.
8. SONNIGER Polska ma prawo odmówić wykonania świadczenia gwarancyjnego w przypadku, gdy SONNIGER Polska nie otrzymał w całości zapłaty za reklamowane urządzenie lub wcześniejszą usługę serwisową



## KARTA GWARANCYJNA

INWESTYCJA: .....

**Model urządzenia:**.....

**Numer fabryczny:**.....

**Data zakupu:**.....

**Data uruchomienia:** .....

**Dane firmy instalacyjnej:**

Osoba uruchamiająca urządzenie:.....

Nazwa firmy:.....

.....

Adres:.....

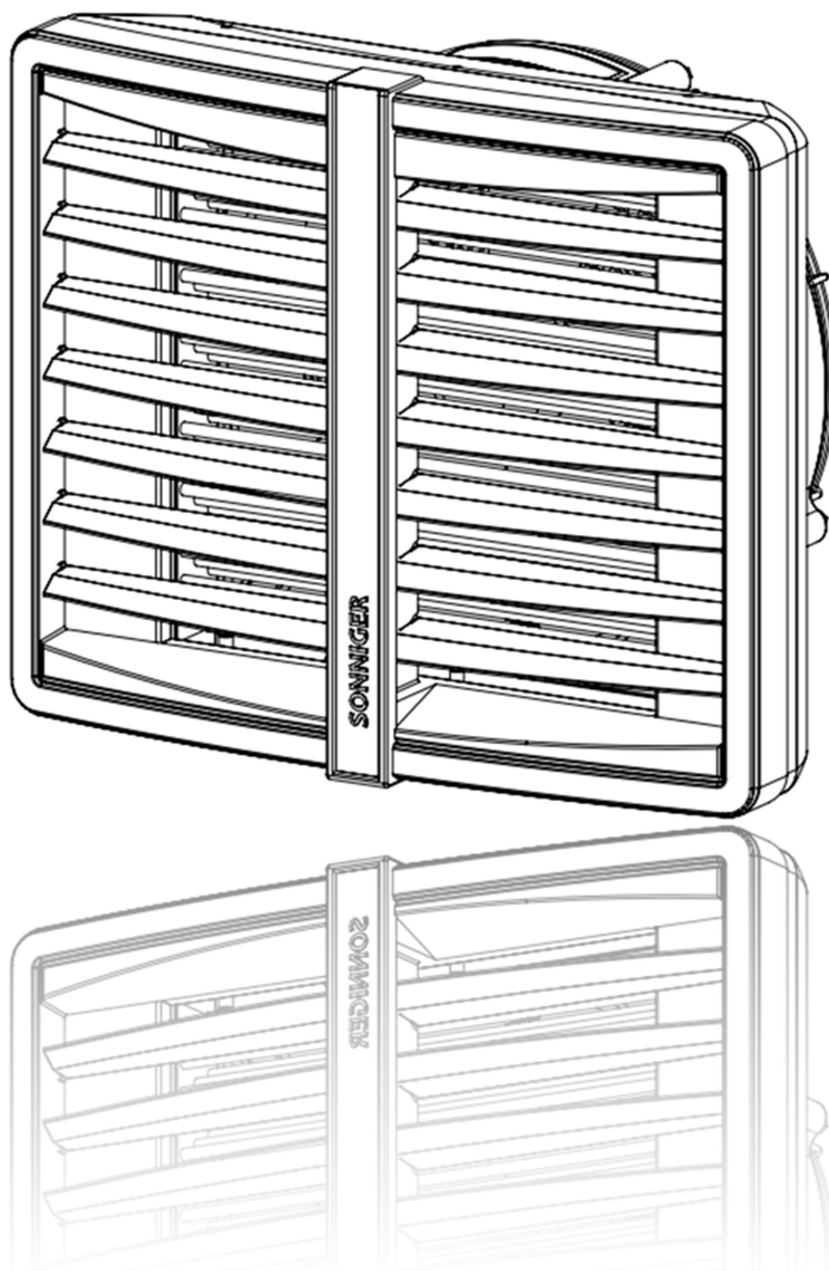
Telefon:.....

Podpis osoby uruchamiającej urządzenie:.....

**Ewidencja prac instalacyjnych, przeglądów, napraw:**

Data	Zakres prac instalacyjnych, przeglądów, napraw	Podpis i pieczęć firmy instalacyjnej

## Installations- und Betriebsanleitung HEATER CONDENS



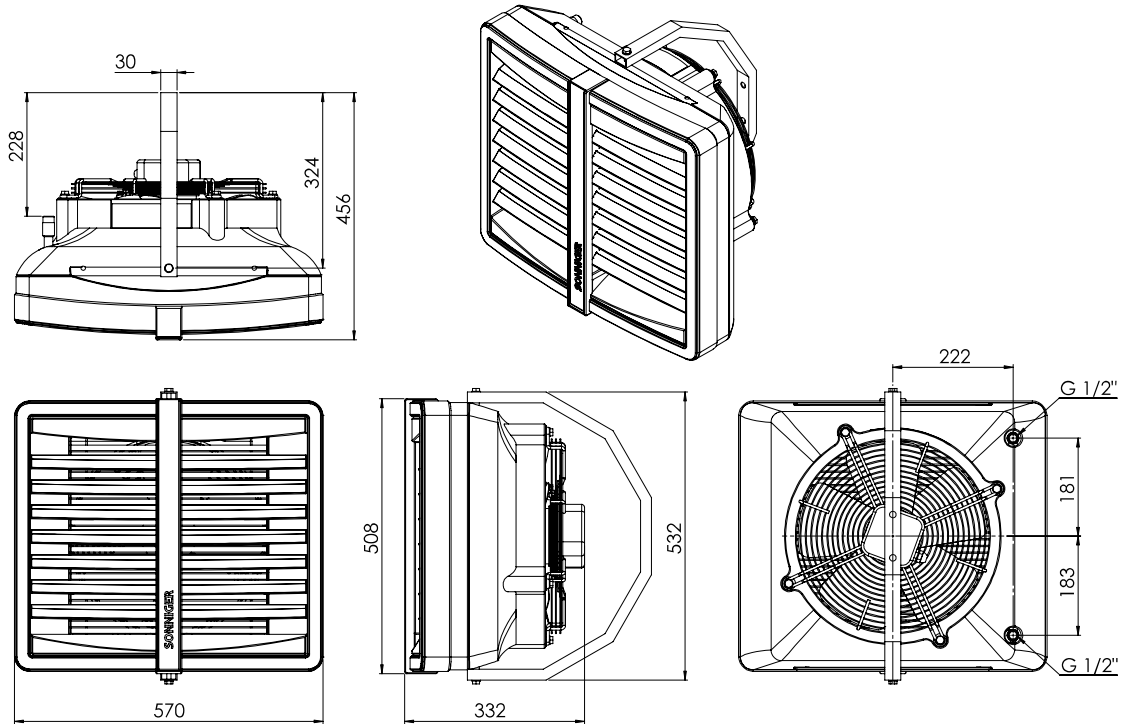
**SONNIGER GmbH & Co. KG**

Grüner Weg 56, 48607 Ochtrup, Amtsgericht Steinfurt HRA 7136, USt-IdNr.: DE815674121  
Telefon: +49 2553-72 49 400, Fax: +49 2553 72 49 410 [www.sonniger-gmbh.de](http://www.sonniger-gmbh.de)

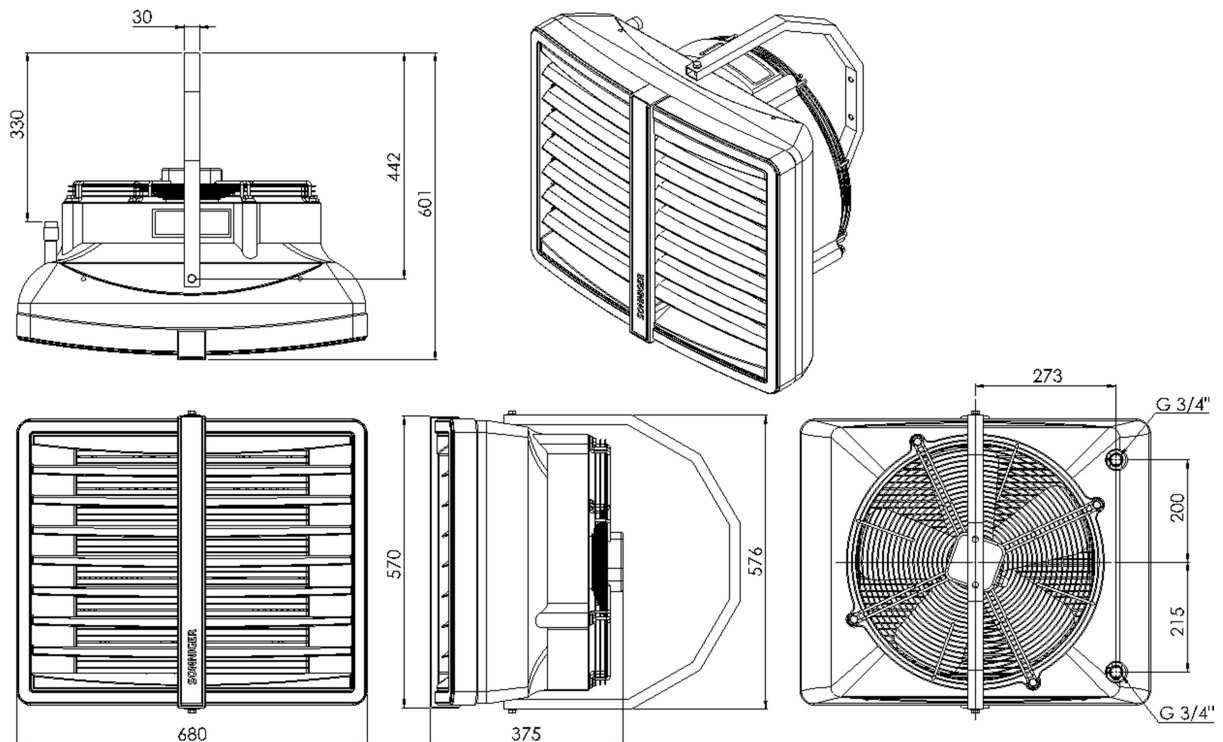
## 1. BESTIMMUNGSGEMÄSSE VERWENDUNG

Die Wasserluftheritzer HEATER CONDENS sind für den Einsatz in kleinen und mittleren Gebäuden konzipiert. z. B. in Produktions- und Lagerhallen, Autohäusern und Tankstellen, Sporthallen und Stadien, Sakralgebäuden und Kirchen, Einzelhandelsgeschäften und Großhandelsgeschäfte. Der HEATER CONDENS ist besonders für Niedertemperatur geeignet. (Brennwertkessel, Wärmepumpen). Die Vorteile ergeben sich durch die neue Geometrie der Lamellen im Heizregister. Hierdurch werden mit niedrigen Vorlauftemperaturen hohe Luftstromtemperaturen erreicht- bei jeder Geschwindigkeit.

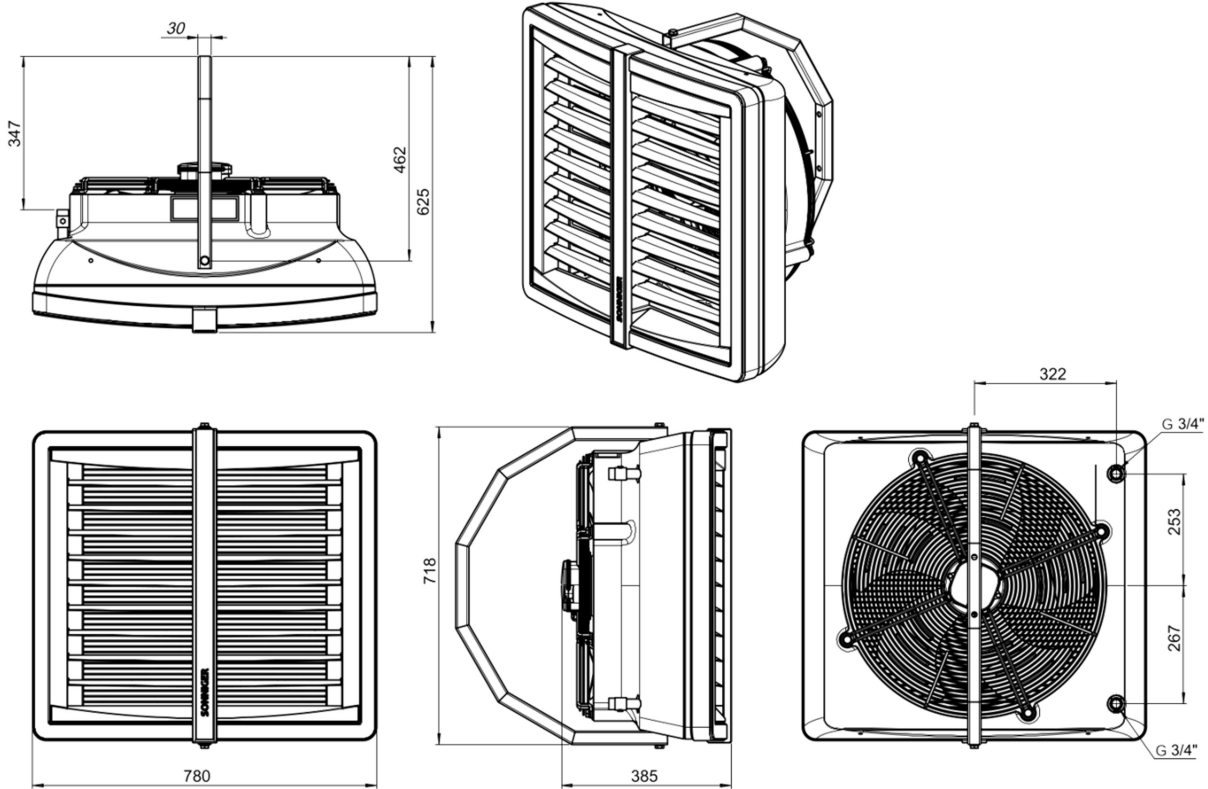
## 2. BAU, ABMESSUNGEN, TECHNISCHE GRUNDPARAMETER HEATER CONDENS CR ONE



## BAU, ABMESSUNGEN, TECHNISCHE GRUNDPARAMETER HEATER CR1, CR2, CR3, MIX1



BAU, ABMESSUNGEN, TECHNISCHE GRUNDPARAMETER HEATER CONDENS CR2 MAX, CR3 MAX, CR4 MAX, MIX2



Grundelemente des Wasser-Lufterhitzer HEATER

- 🔥 Gehäuse aus expandierfähigem Polypropylen EPP
- 🔥 Geregelte Luftschlitze
- 🔥 3 –stufiger Axialventilator 350 mm, 450 mm oder 550mm mit Sicherheitsnetz
- 🔥 Der Wärmetauscher besteht aus (Cu/AL) Kupferföhrchen im Aluminium-Lamellenblock mit ausgeführten Kupferfüllstutzen 3/4". Die Füllstutzen verfügen über einen Stopfen, der die Entlüftung und das Entleeren des Heizmittels ermöglicht.

PARAMETER	HEATER CONDENS							HEATER MIX			
	CR ONE	CR1	CR2	CR3	CR2 MAX	CR3 MAX	CR4 MAX	MIX 1	MIX 2		
Heizleistungsbereich	kW		5-25	10-35	15-50	20-70	25-70	35-95	40-120	-	-
Heizleistung (90/70) / Δt Lufttemperaturanstieg *	kW / °C		19 kW/35°C	23 kW/18°C	39 kW/33°C	50 kW/48°C	55 kW/30°C	74 kW/49°C	94 kW /60°C	-	-
Heizleistung (70/50) / Δt Lufttemperaturanstieg *	kW / °C		13 kW/25°C	16 kW/13°C	26 kW/22°C	35 kW/34°C	40 kW/22°C	53 kW/35°C	68 kW/44°C		
Heizleistung (50/30) / Δt Lufttemperaturanstieg *	kW / °C		7 kW/15°C	9 kW/8°C	13 kW/11°C	20 kW/20°C	25 kW/14°C	32 kW/21°C	42 kW/27°C		
Maximale Luftleistung	m³/h		1 600	3 900	3 350	2 950	5 700	5 600	5 100	4 800	7 200
Lärmpegel I / II / III Geschwindigkeit ***	dB (A)		35/46/52	44/52/62	41/50/60	39/48/60	41/50/59	40/48/58	40/48/58	36/44/54	31/42/49
Anzahl der Heizreihen			2	1	2	3	2	3	3	-	-
Maximaler Arbeitsdruck	MPa		1,6		1,6			1,6		-	-
Maximaler Strahlbereich	m		14	24	21	19	26	25	23	13***	16***
Durchmesser der Anschlussstutzen	zoll		1/2"		3/4"			3/4"		-	-
Betriebsspannung	V/Hz /A		230/50 0,58A		230/50 1,08A		230/50 2,2A		230/50 1,08A 230/50 2,2A		
Motorstärke	W		124		250			520		250	520
Motorumdrehungen	RPM		1400		1350			1380		1350	1380
Motor IP	Drehzahl/min		IP 54		IP 54		IP 54		IP 54		
Gewicht unbefüllt / befüllt	kg		9,6/10,7	10,8/11,9	12,7/14,8	14,5/16,9	23,6/25,2	25,2/27,4	25,5/28	9,2	15,8

\* Wärmeabgabe bei Vorlauftemperatur 50/30 ° C – 120/90 ° C, Lufteintrittstemperatur 0 ° C, Stufe III

\*\* bei Lufteintrittstemperatur 0°C

\*\*\* maximale Installationshöhe für vertikalen Luftstrom, maximaler Arbeitsbereich HEATER MIX 1 ca. 380 qm, HEATER MIX 2 ca. 450 qm

\*\*\*\* gemessen in 5 Meter Entfernung

\*\*\*\*\* Horizontaler Bereich des isothermen Luftstroms mit einer Geschwindigkeit von 0,5m/s

### 3. ALLGEMEIN

Das Heiz-Lüftungsgerät HEATER ist nach dem neuesten Stand der Technik und anerkannten sicherheitstechnischen Regeln gebaut. Der HEATER wird komplett zusammengebaut und in einer Kartonverpackung geliefert, die gegen mechanische Beschädigung schützt. In der Kartonage befindet sich das Heiz-Lüftungsgerät HEATER (Montagebügel muss separat bestellt werden), die Installations- und Betriebsanleitung (betriebstechnische Dokumentation) und die Garantiekarte. Die optional bestellte Regelung wird in einer separaten Verpackung beigelegt. Der Inhalt der Verpackung muss direkt nach der Zustellung geprüft werden. Im Fall der Feststellung von Mängeln (Beschädigungen) ist dies dem Frachtführer auf den Frachtpapieren zu vermerken.

#### WICHTIG !

- ① Bitte lesen Sie sich vor der Montage die Installations- und Betriebsanleitung sorgfältig durch und folgen Sie den Anweisungen. Bei Nichtbeachtung der Anweisungen kann es zu Schäden der Anlage kommen und führt zum Garantieverlust.
- ① Bitte VORSICHT bei den elektrischen Anschlüssen.
- ① Alle Installationsarbeiten sollen von qualifizierten und berechtigten Fachpersonal ausgeführt werden.

### 4. MONTAGE

Bei der Aufstellung des Gerätes ist auf einen gesicherten Zugang für zukünftige Service- und Instandhaltungsarbeiten zu achten!

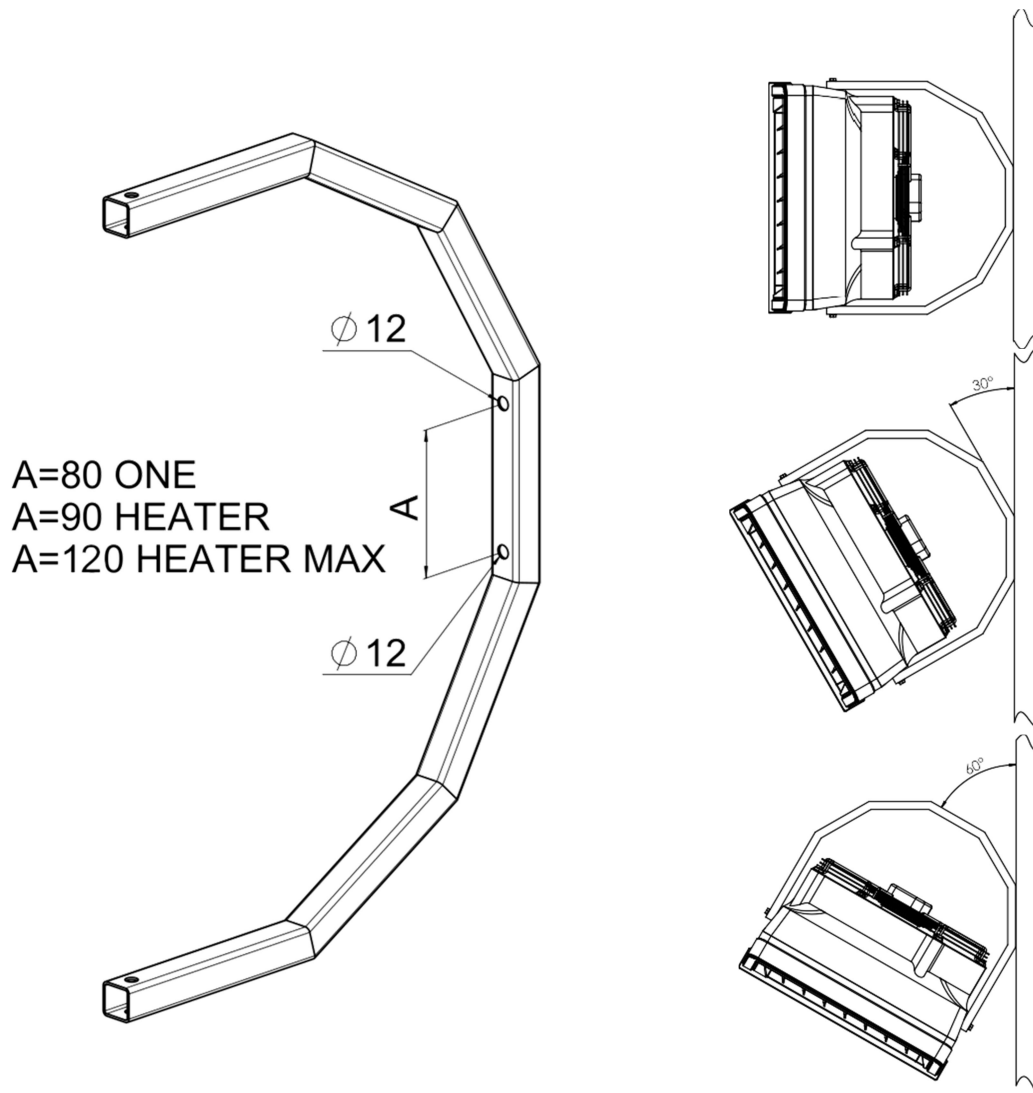
Bei jedem HEATER ist ein Satz von zwei austauschbaren Farbeinsätzen -metallisch, orange, und schwarz beigelegt. Die Markierungsblenden können individuell eingesetzt werden.

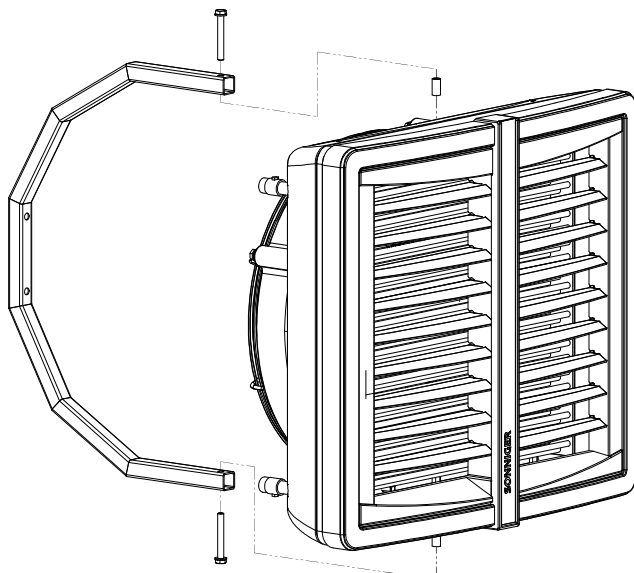
Das Gerät ist mit dem Montagebügel an der Wand oder unter der Decke zu installieren. Bei der Montage sollte auf die Tragfähigkeit der Wand oder Decke geachtet werden.

Das Gerät kann mit Hilfe der Montagekonsole an die Wand in einem Neigungswinkel von 0°, 30° oder 60 ° installiert werden.

Der Montagebügel besteht aus einem metallischen Rechteckprofil, das sechs mal gekantet ist.

Er verfügt über zwei Bohrungen (Durchmesser 12 mm) für die waagerechte Montage des HEATERS. Die Wandmontage und/oder Montage unter der Decke ist auch mit anderen Winkeleinstellungen möglich, dazu müssen dann die 12 mm Bohrungen vor Ort durchgeführt werden.

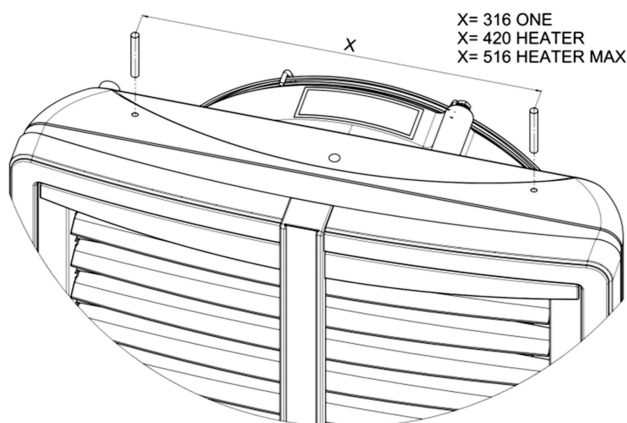




#### Montage der Konsole am HEATER

Die Montagekonsole besteht aus: Montagebügel, zwei Stützhülsen und zwei Maschinenschrauben M8 mit Unterlegscheibe.

Zur Montage der Konsole sollen zwei Bohrungen ( $\varnothing 12-13\text{mm}$ ), die im hinteren EPP-Gehäuse gekennzeichnet sind, gebohrt werden. (siehe Abbildung). Die speziellen Markierungen am Gehäuse dienen zur Lokalisierung der Bohrung. In den Bohrungen werden die Stützhülsen eingesetzt. Der Montagebügel wird dann mit der Schraube M8 und der Unterlegscheibe am HEATER befestigt.

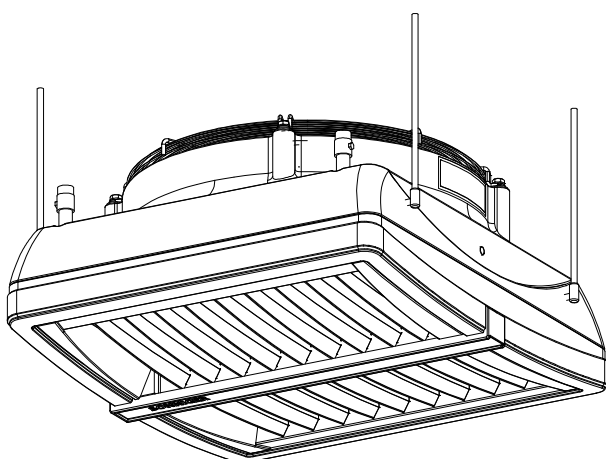


#### Installation mit Gewindestange M8

Es gibt die Möglichkeit den HEATER unter die Decke zu installieren. Zu diesem Zweck werden zwei Bohrungen ( $\varnothing 8-9\text{mm}$ ) an den gekennzeichneten Stellen gebohrt. Die speziellen Markierungen am Gehäuse dienen zur Lokalisierung der Löcher. Die Gewindestifte können dann max. 20 mm tief eingeschraubt werden.

#### WICHTIG!

- ❗ Achten Sie beim Bohren der Löcher an den markierten Stellen darauf, die Spule nicht zu beschädigen, indem Sie nicht tiefer als 20 mm bohren ! 20 m gehen



#### Montage des Destratifikations-Ventilators HEATER MIX

Zur Montage des Destratifikations-Ventilators HEATER MIX unter der Decke sollen die Montagestiften M8 verwendet werden. Zu diesem Zweck werden vier Bohrungen ( $\varnothing 8-9\text{mm}$ ) gebohrt. Die speziellen Markierungen am Gehäuse dienen zur Lokalisierung der Bohrungen. Die Gewindestifte können dann max. 20 mm tief eingeschraubt werden.

**Die Gewindestangen- und Stifte sind nicht im Lieferumfang enthalten!**

#### WICHTIG!

- ❗ Bitte beachten Sie die Mindestabstände vom HEATER zur Decke/Wand! Zu empfehlender Abstand: Von der Geräteseite = 200 mm, vom Lüfter zur Wand/Decke = 300 mm

## 5. ELEKTRISCHE INSTALLATION

Die elektrische Installation und der Anschluss an die Energieversorgung muss gemäß den geltenden Bestimmungen und Baunormen vorgenommen werden.

Der Lüftermotor verfügt standardmäßig über eine innere Thermosicherung, die den Motor gegen Überhitzung schützt.

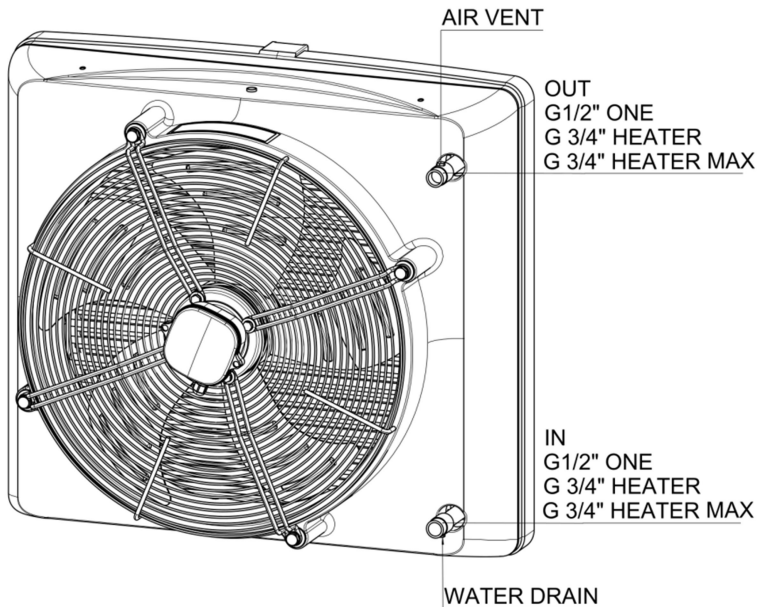
Das Gerät wird ohne Anschlußkabel und Hauptschalter (siehe Schaltplan) geliefert.

Die elektrische Installation/Spannungsversorgung (einschl. Sicherheitsschalter) muss von einem qualifizierten Elektroinstallateur gemäß dieser Anleitung vorgenommen werden. Das Stromzuführungskabel und der Hauptschalter sind gemäß mitgeliefertem Schaltplan (ohne oder mit Regelung, abhängig von dem Gerät) anzubringen. Die Anlage ist gemäß mitgeliefertem Schaltplan zu verdrahten

## 6. VOR- UND RÜCKLAUFINSTALLATION

Beim Anschluss des HEATERS ist auf Zugang für zukünftige Service- und Instandhaltungsarbeiten zu achten. Die Vor- und Rücklaufleitungen sind an den Gewindestutzen  $\frac{3}{4}$ " entsprechend der Zeichnung zu montieren.

Der Anschluss eines Elektromagnetventils (Option - Regelung) ist am Wasserrücklauf des Gerätes vorzunehmen

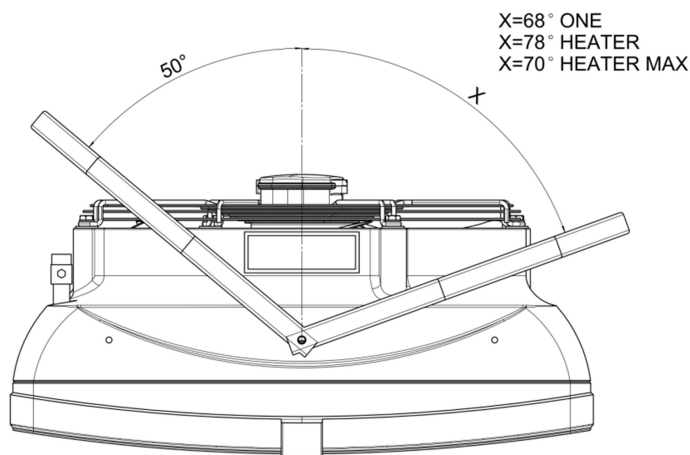


### Anschluss des Heizmediums

Die Anschlussstutzen G  $\frac{3}{4}$ " für Vor- und Rücklauf befinden sich im hinteren Teil des HEATERS. Beim Anschluss der Vor- und Rücklaufleitungen sollen die Anschlußstutzen vor Überdrehung gesichert werden.

Die Stutzen dürfen auch nicht mit der Last der Anschlußleitungen belastet werden.

Der Entleerungsanschluß (Wasser) befindet sich am Vorlaufstutzen und die Entlüftung am Rücklaufstutzen.



Der HEATER kann innerhalb der Montagekonsole waagrecht gedreht werden. Zu diesem Zweck sollen die elastischen Hydraulikanschlüsse verwendet werden. Bei flexibler Verbindung beträgt die maximale Drehung 70°- bei HEATER CONDENS MAX; 78° - bei HEATER CONDENS CR1, CR2, CR3 und 68°- bei HEATER CONDENS ONE in beide Richtungen.

Die Abbildung zeigt den maximalen Winkel in einer Richtung und den Winkel 50° in anderer Richtung mit Einhaltung des ausreichenden Raums für die Vor- und Rücklaufanschlüsse.

## 7. INSTALLATION REGELUNG

Für die Regelung der HEATER stehen mehrere Varianten zur Verfügung:

- ☞ COMFORT Regler – Raumthermostat mit 3 Stufen Schalter. Mit einem COMFORT Regler kann man 6 HEATER CONDENS CR ONE oder 3 HEATER CONDENS CR1,2,3 oder 2 HEATER CONDENS MAX regeln.
- ☞ 2-wege Ventil mit Stellantrieb; das Ventil sollte im Rücklauf montiert werden
- ☞ Regelmodul Intelligent mit Automatischer Geschwindigkeitsregelung, Wochenprogramm und BMS Kommunikation für bis zu 2 HEATER CONDENS ode rein HEATER CONDENS MAX
- ☞ MULTI 6- Box - für 6 HEATER CONDENS ,HEATER CONDENS MAX oder 12 HEATER CONDENS ONE in Verbindung mit einem COMFORT Regler oder einem Regelmodul INTELLIGENT.

Das System ist startbereit, sobald die Verbindungen zwischen dem Thermostat und dem Ventilstellantrieb hergestellt sind, der Thermostat mit 230 V versorgt wird und der Lüftermotor vom Drehzahlregler mit Strom versorgt wird.



**OFF-I-II-III** - Schalter- und Lüfterdrehzahlregelung

**HEAT** - der Thermostat gibt ein Betriebssignal an den Antrieb und den Lüfter, der Lüfter schaltet sich aus, wenn die eingestellte Temperatur erreicht ist, das Ventil schließt die Wasserversorgung

**LÜFTER** – Betrieb, gemäß Thermostat, Ventile funktionieren nicht;

**COOL** - der Thermostat gibt ein Betriebssignal an den Aktuator und den Lüfter, das Gerät beginnt zu arbeiten, wenn die eingestellte Temperatur erreicht ist

## 8. ERSTE INBETRIEBNAHME/EINSCHALTUNG DES GERÄTES

Nach dem Abschluss aller Installationsarbeiten: (Elektro-, Wasser, Regelung), nach der Prüfung der Dichtheit aller vom Installateur vorgenommenen Verbindungen und nach der Entlüftung des Erhitzers ist das Gerät in folgender Reihenfolge in Betrieb zu nehmen:

1. Drehregler in 0 Position stellen,
2. Hauptschalter einschalten,
3. Geschwindigkeit des Lüfters anhand des Drehreglers einstellen,
4. Temperatur auf dem Thermostat einstellen.

Der Einschaltzustand wird durch das Leuchten der Lampe signalisiert. Der Lüfter läuft ständig, unabhängig vom Öffnungszustand des Erhitzerventils.

## 9. AUSSCHALTUNG DES GERÄTES

Das Vorgehen bei Ausschaltung des HEATER Gerätes:

1. Auf dem Thermostat die minimale Temperatur anhand des Drehknopfes einstellen - nach ca. 7 Sek. wird das Ventil geschlossen und die Heizung ausgeschaltet.
2. Hauptschalter in Position 0 (AUS) stellen, der Lüfter wird ausgeschaltet und die Stromzufuhr des Thermostats unterbrochen.

## 10. BETRIEB

Die Ventilatoren müssen vor Inbetriebnahme überprüft werden. (Ventilatoren müssen frei beweglich sein).

### WICHTIG!

- ① Wenn das Gerät im Betrieb vibriert oder übermäßigen Lärm macht, ist die Befestigung des HEATERS auf Spiel zu prüfen – Bei Problemen ist ein Installateur zu benachrichtigen

## 11. WARTUNG

Das Gerät muss regelmäßig gewartet werden. Besonderes Augenmerk ist dabei den Elementen zu widmen, die während des Betriebs verschmutzt werden können. Beim Heizregister kann eine regelmäßige Reinigung erforderlich sein. Das Heizregister wird durch Ausblasen mit Druckluft gereinigt. Zum Reinigen des Heizregisters dürfen keine spitzen bzw. scharfkantigen Gegenstände verwendet werden, welche die Lamellen beschädigen könnten. Im Fachhandel kann hierfür ein Lamellenkamm-Satz erworben werden. Bei Wartungs- bzw. Reinigungsarbeiten ist die Netzspannung abzuschalten. Wird vor einer längeren Stilllegung der Anlage das Heizwasser abgelassen, sollten zusätzlich die Heizregisterrohre mit Druckluft ausgeblasen werden. Andernfalls könnte das im Rohrbogen des Heizregisters verbleibende Wasser beim Einfrieren das Heizregister zerstören. Das Gerät sollte nur durch qualifiziertes Personal bedient werden. Das Kunststoffgehäuse kann mit handelsüblichen, nicht ätzenden Reinigungsmitteln gereinigt werden

Der Wärmetauscher hat keinen Frostschutz. Die Senkung der Temperatur im Betriebsraum unter 0°C kann zur Beschädigung des Gerätes führen.

Beim Betrieb des Gerätes bei einer Temperatur unter 0°C ist im Wassenumlauf ein Frostschutzmittel zuzugeben. Das Frostschutzmittel I muss für das Material, aus dem der Wärmetauscher (AL/CU) und andere Elemente des hydraulischen Umlaufs hergestellt wurden, geeignet sein. Das Frostschutzmittel ist nach Vorgaben des Frostschutzmittelherstellers anzuwenden.



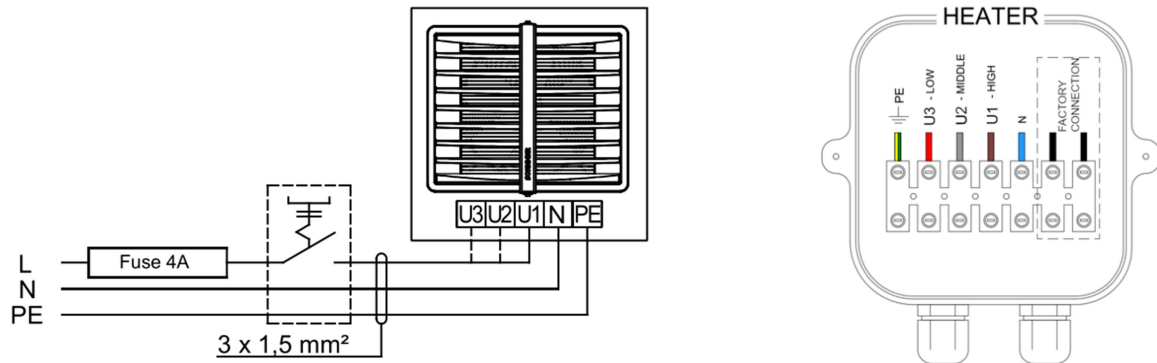




### 13. ELEKTRISCHER SCHALTPLAN

#### 13.1. Anschluss des Erhitzers HEATER ohne Regelung I

\* der Lieferumfang umfasst weder den Hauptschalter der Anlage, noch die Sicherungen und das Stromzuführungskabel

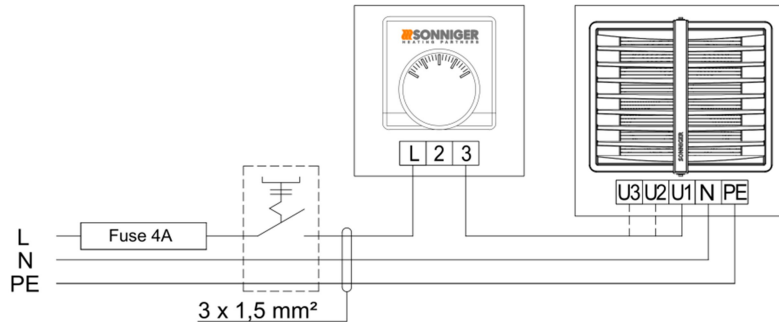


#### Beschreibung für elektrische Installation

- U1** Hohe Geschwindigkeit - braun
- U2** Mittlere Geschwindigkeit - grau
- U3** Niedrige Geschwindigkeit - rot
- N** Neutral – blau
- PE** Schutz - gelb / grün

#### 13.2. Anschluss des Erhitzers HEATER MIX

\* der Lieferumfang umfasst weder den Hauptschalter der Anlage, noch die Sicherungen und das Stromzuführungskabel



#### 13.3. Anschließen von mehreren Geräten HEATER mit COMFORT-Panel, Ventile und Antriebe

\* Der Lieferumfang umfasst nicht den Hauptschalter, die Sicherung und das Stromzuführungskabel

Ein COMFORT-Panel kann

- \* **6 Stück** HEATER CONDENS CR ONE oder
- \* **3 Stück** HEATER CONDENS CR 1,2,3 oder
- \* **2 Stück** HEATER CONDENS MAX steuern

**HEAT** - der Thermostat gibt ein Betriebssignal an den Antrieb und den Lüfter, der Lüfter schaltet sich aus, wenn die eingestellte Temperatur erreicht ist, das Ventil schließt die Wasserversorgung

**Lüfter** – Betrieb, gemäß Thermostat, Ventile funktionieren nicht

**COOL** - der Thermostat gibt ein Betriebssignal an den Aktuator und den Lüfter, das Gerät beginnt zu arbeiten, wenn die eingestellte Temperatur erreicht ist

Achtung!

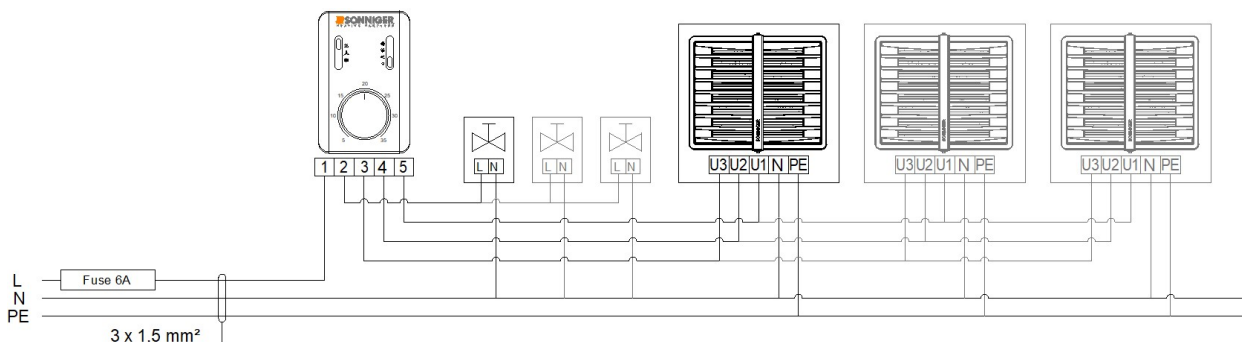
Es ist möglich, eine zusätzliche Änderung der SR1 auf SR1 CONST Jumperposition zu verwenden, in diesem Fall kann der Lüfter unabhängig vom Thermostat betrieben werden.

Der thermostatische Betrieb ist nur für Ventile. In diesem Fall:

**HEAT** - Lüfterbetrieb unabhängig vom Thermostat, Ventile arbeiten bis zur eingestellten Temperatur

**Lüfter** - Betrieb, unabhängig vom Thermostat, Ventile funktionieren nicht;

**COOL** - Lüfterbetrieb unabhängig vom Thermostat, Ventile arbeiten ab der eingestellten Temperatur



**13.4. Anschluss der HEATER mit dem INTELLIGENT-Panel.**

Der INTELLIGENT PSH-Regler steuert Stellantriebe / Ventile und regelt automatisch die Ventilator - Geschwindigkeit in Abhängigkeit von der gewünschten Raumtemperatur. Die Ventilator - Geschwindigkeit ändert sich automatisch, wenn die Temperatur erreicht wurde.

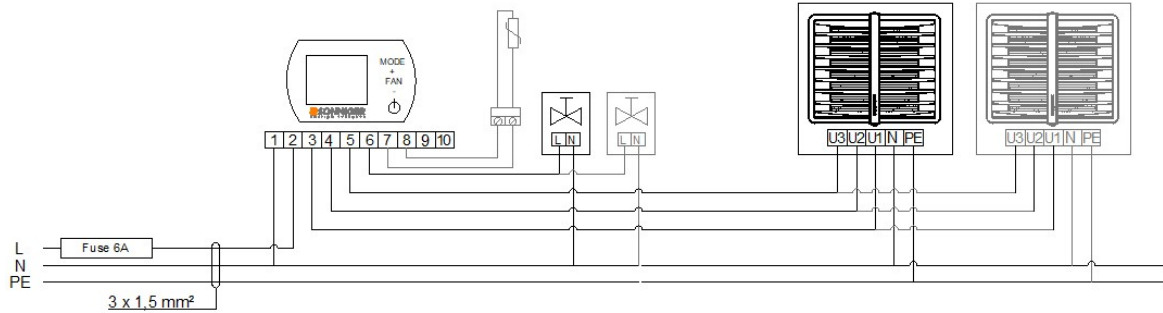
Zusätzliche Funktionen - wöchentliche Einstellung Thermostat, Verfügbarkeit von BMS-Kommunikationssignalen

Anschlussmöglichkeit für Außenfühler NTC, Lieferung mit 5 Meter Kabel. Max. Kabellänge 20 Meter.

*\*Das Gerät besteht aus: einem Hauptschalter, einer Sicherung, einem Stromzuführungskabel*

Ein Regelmodul INTELLIGENT kann bis zu

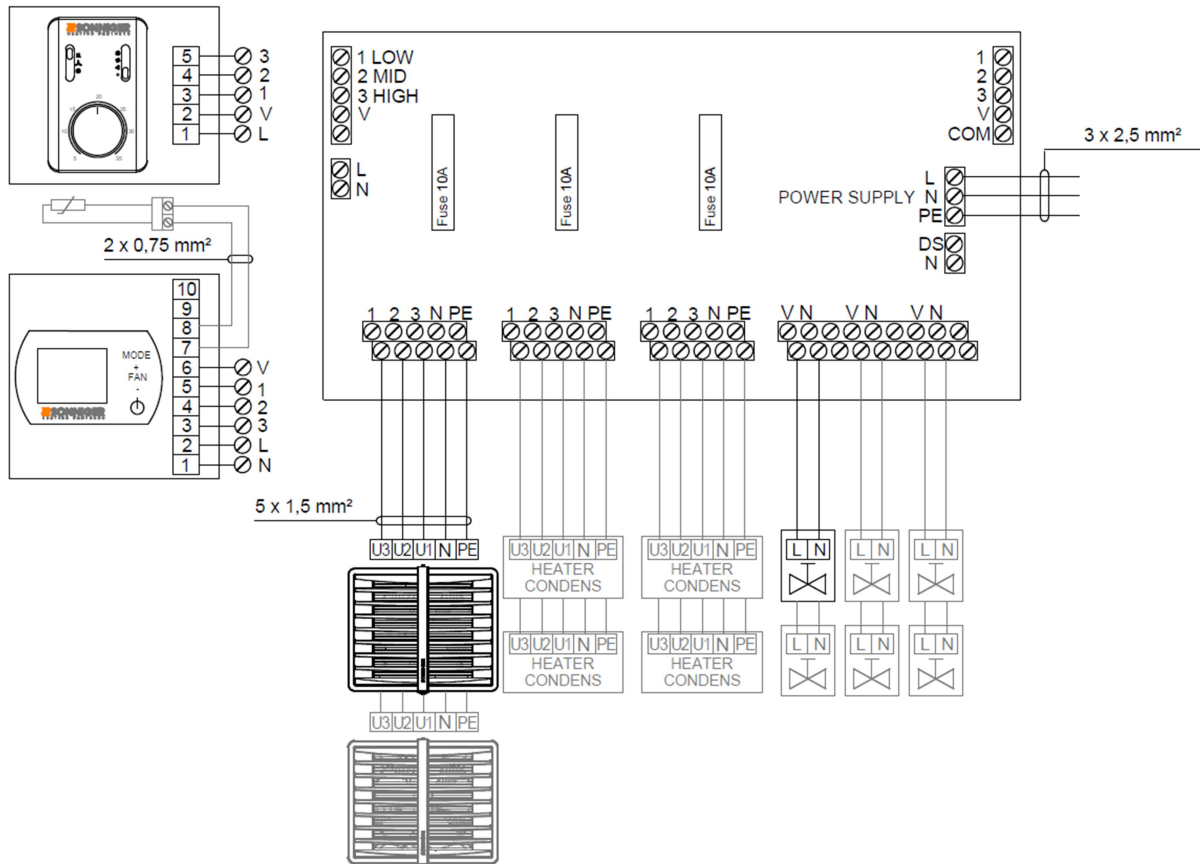
- \* HEATER CONDENS CR ONE 4 Stück oder
- \* HEATER CONDENS 2 Stück oder
- \* HEATER CONDENS CR MAX 1 Stück steuern



**13.5. MULTI 6 – Box kann 6 Stück HEATER CONDENS / HEATER CONDENS MAX oder 12 Stück HEATER CONDENS ONE in Verbindung mit einem Regler COMFORT oder Regelmodul INTELLIGENT steuern**

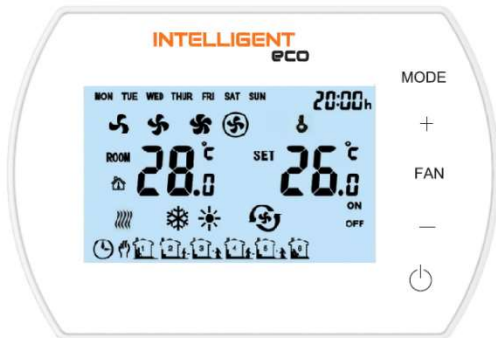
Die Kontrollbox MULTI 6 ermöglicht die Verbindung und Steuerung mehrerer Lufterhitzer (bis zu 6 HEATER) und Ventile mit Stellantrieben (bis zu 6 St.) Die Steuerung von Ventilatoren und Ventilen erfolgt mit Hilfe von COMFORT oder INTELLIGENT Panel.

Zum Anschluss von mehr als 6 Ventilatoren und Ventilen ist es notwendig, eine Verbindung mit weiteren Kontrollboxen MULTI 6 herzustellen. (Maximale Erweiterung von bis zu 10 Kontrollboxen MULTI 6). Hierbei muss in der ersten Kontrollbox MULTI6 der Stecker DS-N offen gelassen werden, in den anderen Kontrollboxen MULTI 6 (2...10) muss der Anschluss DS-N kurzgeschlossen werden.



## 14. Regelmodul INTELLIGENT – Programmierbar

Das Regelmodul Intelligent steuert die Stellantriebe und die Ventile und regelt die Lüftergeschwindigkeit automatisch in Abhängigkeit von der eingestellten Raumtemperatur. Das Regelmodul Intelligent WIFI ermöglicht die Verwaltung von Arbeiten des Geräts über die mobile App TUYA SMART.

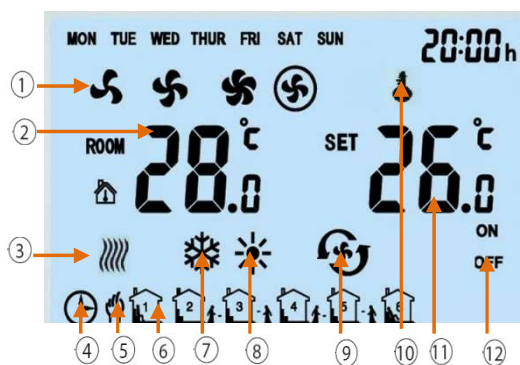


### Funktionen

Panel INTELLIGENT-ist für die SONNIGER Produkte konzipiert.

- Wochenprogramm ( 5/1/1 Tage)
- Automatische oder manuelle Einstellung der Lüftergeschwindigkeit
- Kontrolle der Raumtemperatur
- Frostschutzmodus +5 ~ 15 °C.
- Möglichkeit zum Anschluss eine externen NTC-Fühlers.
- BMS-Kommunikation über MODBUS-Protokoll
- Kabellose Steuerung über die TUYA SMART App
- Kontaktrückmeldung

### Regelmodul-Beschreibung



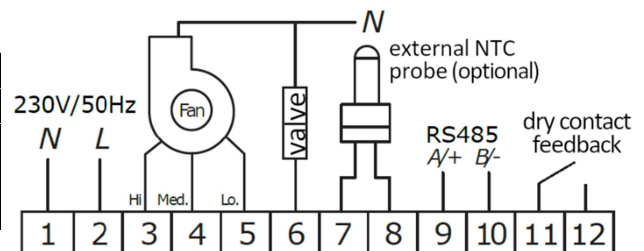
1. Lüfterstufen: LOW, MED, HI and AUTO
2. Raumtemperatur oder NTC Fühler
3. Frostschutzsicherung
4. Automatischer programmierbarer Modus
5. Manueller Modus
6. 6 Zeitzonen pro Tag
7. Kühl - Modus
8. Heiz - Modus
9. Lüfter - Modus
10. Tastensperre
11. SET TEMP. (gewünschte Raumtemperatur)
12. Ein/Aus Schaltung der Zeitzonen



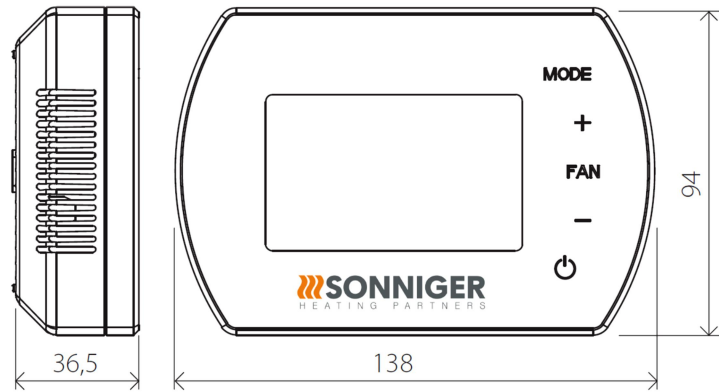
13. MODE: Drücken Sie kurz, um den manuellen oder automatischen Modus zu wählen. Drücken Sie 3 Sekunden, um den Moduls kühlen, heizen oder lüften zu wählen.
14. LÜFTER: Drücken Sie kürz und wählen Sie die Lüftergeschwindigkeit: niedrig, mittel, hoch oder automatisch
15. Ein / Aus Regelmodul INTELLIGENT

### Technical parameters

1	Stromversorgung	230VAC/50Hz
2	Temperatur Einstellbereich	5°C 40°C
3	Temperatur Arbeitsbereiche	-10°C 60°C
4	IP	20
5	Externer Temperaturfühler	interner/externer NTC (optional)



**Abmessungen:**



**Menü:**

Wenn das Regelmodul Intelligent ausgeschaltet ist, drücken Sie MODE 5 Sekunden lang

Um eine andere Option zu wählen drücken Sie MODE.

Um den Wert zu ändern, verwenden Sie +/-

Setting menu	Option	Value
1	Temperaturkalibrierung	-9°C ~ +9°C
2	EEPROM	0: nomemory 1: memory
3	Lüfter Status	C1: Thermostat Modus C2: Dauerbetrieb
4	Temperaturfühler	0: Interner Fühler 1: Externer Fühler NTC (optional)
5	Frostschutzsicherung	0: AUS 1: EIN
6	Einstellbereich Frostschutzsicherung	+5°C ~ +15°C
7	ALARM	0: (ausschalten) 1: (einschalten)
8	Drycontact	0: NO 1: NC
9	MODBUS	0: (ausschalten) 1: (einschalten)
10	BMS speed	0-2400 / 1-9600 / 2-19200
11	Modbus ID	1~247 (01~F7)

**Tasten sperren/entsperren** 




Um die Tasten zu sperren, halten + und dann - für 5 Sekunden zusammen gedrückt.

Um die Tasten zu entsperren, halten Sie + und dann - für 5 Sekunden zusammen gedrückt.



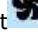

**Drücken Sie MODE**

Wechsel zu manuellen Betrieb  oder automatischen Betrieb 

**Drücken Sie MODE für 5 Sekunden**

Wechsel zu kühlen , heizen , lüften 








**Drücken Sie Ventilator**

Wechseln zu geringer Geschwindigkeit , mittlere Geschwindigkeit , hohe Geschwindigkeit , automatische Geschwindigkeit 

**Drücken Sie für 5 Sekunden Ventilator**

Manuelle Wochen Programmierung Montag – Freitag, Samstag, Sonntag 6 Zeiten pro Tag

**BMS Funktion**

-  Arbeitsparameter einstellen
-  Arbeits- Stopp Bedingungen
-  Wochenprogramm
-  Temperatur
-  Lüfter Geschwindigkeit
-  Heizen, lüften, kühlen
-  Frostschutzsicherung

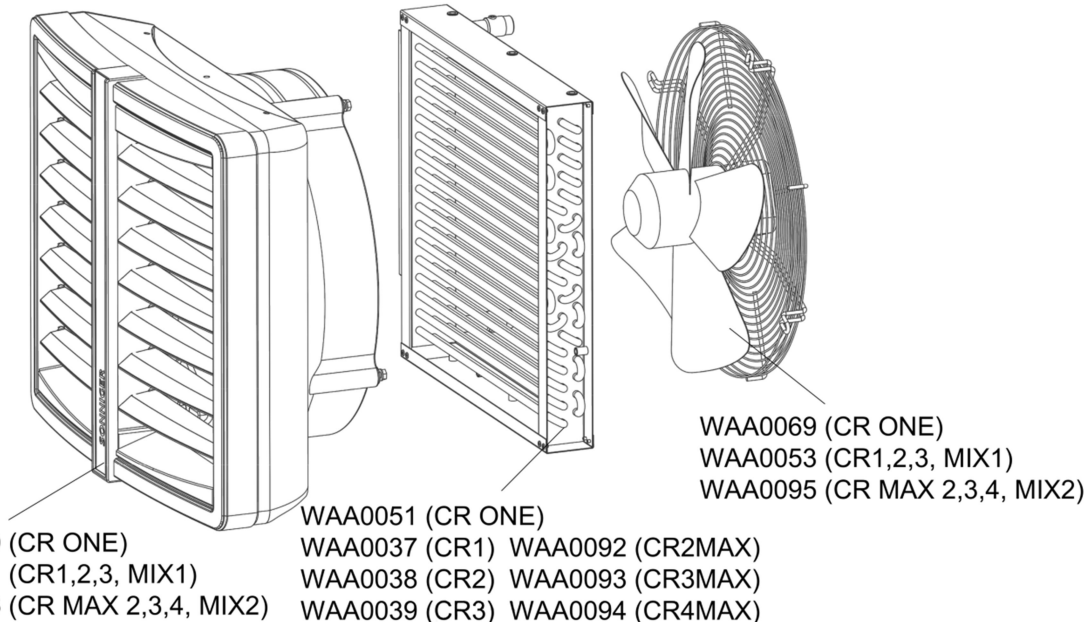
Nr.:	Einstellung	Parameter
1	Arbeits Modus	RS485 Semi-duplex; PC or main controller is master; thermostat is slave
2	Schnittstelle	A(+),B(-), 2 Verbindungen
3	Baud Rate	0-2400 / 1-9600 / 2-19200
4	Byte	9 bits in total: 8 data bit + 1 stop bit
5	Modbus	RTU Mode
6	Übertragung	RTU (Remote Terminal Unit) format (please refer to MODBUS instruction)
7	Adresse Thermostat	1–247 ; (0 is broadcast address and stand for all thermostat without response)

#### WIFI-funktionen

- ▮ Arbeitsparameter einstellen/lesen
- ▮ Arbeits-/Stopp-Bedingungen
- ▮ Wochenprogramm
- ▮ Temperatur
- ▮ Lüftergeschwindigkeit
- ▮ Heizen, Lüften, Kühlmodus
- ▮ Frostschutzsicherung

#### VERBINDUNG DES INTELLIGENT WIFI-PANELS MIT DER TUYA-APP

1. Laden Sie die Tuya Smart App herunter (erhältlich im App Store und bei Google Play)
2. Bedienfeld an Stromversorgung und Gerät anschließen, INTELLIGENT sollte ausgeschaltet bleiben
3. Schalten Sie die Tuya-App ein und folgen Sie den Anweisungen in der App
4. Aktivieren Sie für den Verbindungsvorgang GPS und Bluetooth im Telefon
5. Um den Paring-Modus im INTELLIGENT-Panel zu aktivieren, halten Sie das "+" -Symbol für 5 Sekunden gedrückt, bis das SA-Symbol auf der linken Seite des Bildschirms angezeigt wird
6. Wählen Sie die Funktion "Gerät hinzufügen", die App sollte das Bedienfeld automatisch finden, drücken Sie die Schaltfläche "Hinzufügen" und drücken Sie nach Abschluss des Konfigurationsvorgangs auf "Weiter" und "Fertig"
7. Wenn die Funktion "Hinzufügen" nicht vorhanden ist, wählen Sie die Registerkarte "Kleine Geräte" und die Funktion "Thermostat (Wi-Fi)". Geben Sie dann die Daten ein, um sich mit dem ausgewählten WiFi-Netzwerk zu verbinden und zu bestätigen, und dann "Blink langsam".
8. Es wird ein Bildschirm mit Informationen zur Suche nach einem Gerät angezeigt. Nach der Erkennung des Treibers erfolgt der Verbindungsvorgang automatisch. Nach Abschluss des Konfigurationsvorgangs drücken Sie "Weiter" und "Fertig".



#### Entsorgungsregel für Elektro- und Elektronik-Altgeräte 2012/19 / EU

In Übereinstimmung mit den geltenden gesetzlichen Bestimmungen zum Zeitpunkt des Kaufs neuer elektrischer oder elektronischer Geräte mit der folgenden Kennzeichnung:



Informationen zum Abfallsammelsystem für elektrische und elektronische Geräte erhalten Sie von Ihrem Händler.

**GUARANTEE TERMS AND CONDITIONS**

**§1 Guarantee Scope**

1. The Guarantee entitles the Buyer to have the device or its part replaced with the faultless one only if within the Guarantee period the Manufacturer claims that a disclosed defective product or part cannot be repaired.
2. The proof of purchase and a correctly completed complaint form must be delivered to demand repairs with no additional costs.
3. This Guarantee covers material defects of the device which make its functioning impossible. This Warranty does not extend to the installation and maintenance works.
4. The Guarantee for the product sold by the Seller covers 24 months. The guarantee period commences upon delivery of the device to the Buyer specified in the sales invoice. The warranty covers any and all parts/components specified in the scope of the delivery.
5. Products delivered by third persons are guaranteed by this supplier.
6. Devices may be started and serviced only by qualified persons trained in the areas of maintenance and operation of the device. Any and all operations related to start, maintenance and repairs must be noted that such operations have occurred in the Guarantee Card.
7. The precondition for issuing the Guarantee by the manufacturer is the assembly and activation of the device in accordance with the Operation and Maintenance Documentation not later than 6 months after the date of purchase.
8. The product is guaranteed for a full period of warranty only if service works implied in the Operation and Maintenance Documentation for the device specified in the 'Maintenance' section are carried out. All services related to the maintenance of the device are carried out at the User's cost and expenses.
9. The provision of warranty services does not cease or suspend the duration of the Warranty. The warranty for replaced or repaired parts/elements shall end with the expiry of the Guarantee for the device.

**§2 Warranty Exclusions/Disclaimers**

1. The Warranty does not extend to the mechanical damages and damages to electrical parts caused by improper use, transport, abnormal voltage or other damages arising from a product defect. For the above reasons, the Warranty is solely limited to the replacement of parts/components having construction defects that shall be delivered without any additional costs only if the defective part/component has been returned.
2. The Warranty for devices does not apply to when technical mistakes occurred during the procedures concerning installation, regulation and controlling including any of the following:
  - a) Defects caused by connecting a device to an inappropriately designed ventilation system that allows additional heat loads that do not meet any standards and decrease the efficiency of heat exchanger.
  - b) Defects caused by connecting to the components or parts that are part of the heating system but have not been delivered by the Seller and whose inappropriate functioning has a negative impact on the device's functioning.
  - c) Defects caused by connecting to the components that are not original spare parts
  - d) Defects incurred by reselling of the product by the first buyer/user to another buyer who dismantles/installs the device that was previously installed and operated in a specific building and its conditions.
  - e) Defects caused by an improper expertise and insufficient knowledge of the installer and technical staff who, in an improper way carry out after-sale service of the device
  - f) Defects caused by special conditions of use that differ from typical/standard applications unless the parties (the Seller and customer's technical staff) have previously agreed otherwise in writing.
  - g) Defects incurred by natural disasters such as fire, explosions and other incidents that may result in damages to mechanical, electrical and protection devices
  - h) Defects caused by inappropriate cleaning of the technical facility or place where the device has been installed; cleaning must take place periodically to suit the specific working conditions and the amount of dust.
  - i) Defects arising from the absence or improper cleaning of heat exchangers; cleaning must be done periodically to suit the specific working conditions and the amount of dust.
  - j) Defects incurred by the inappropriate installation inadequate for low outside temperature of working conditions.
  - k) Defects incurred by low temperature if no protection device is installed by the installing contractor to avoid:
    - low temperatures on electrical and mechanical parts such as valves, electric and electronic controlling devices,
    - water condensation and frost/ice near the device,
    - thermal shock of the heater and heat exchanger caused by sudden changes of outside temperature.

**§3 SONNIGER is not liable to:**

1. Current maintenance works, inspections following from Operation and Maintenance Documentation and device programming.
2. Defects caused by banking of a device while waiting for the warranty service.
3. Any and all defects caused to the company's property.

**§4. Complaint Procedure**

1. In the event of the complaint under the Warranty conditions the user may make lodge a complaint directly to the Distributor.
2. All repairs covered by the warranty shall be done as part of the activity of an installation company and Factory Service. All repairs ensuing from the guarantee shall be done in a place where the device is installed.



**Betriebstechnische Dokumentation Heiz-Lüftungsgerät HEATER CONDENS v202301**

3. The user with respect to the service activities is obliged to:
  - Allow to have full access to the rooms where the devices were installed and provide the necessary facilities allowing direct access to the device (lift, scaffolding etc.) in order to do all the servicing covered by the guarantee.
  - Present the original of the Guarantee Card and VAT invoice recording the purchase,
  - Ensure the safety while doing the servicing,
  - Allow to start works immediately after the arrival of the Service.
4. In order to make a complaint under the warranty it is necessary to deliver to the Distributor's address the following documents:
  - a. a correctly filled-in complaint form that is available at the website of [www.SONNIGER.com](http://www.SONNIGER.com)
  - b. a copy of the Guarantee Card
  - c. a copy of the proof-of-purchase - the sales invoice
5. Repair service including the replacement of the parts shall be done free of charge only if the representative of the installing contractor or the Service claim that the defect or faulty device is caused by fault of the producer.
6. Any and all costs (cost of repair, travel and exchanged components) incurred due to the unjustified complaint especially in the situation when the representative of the Installing Contractor of the Factory Repair Service claims that defect/damage was caused as a result of breaching the guidelines provided in the Operation and Maintenance Documentation or notices the exclusions under **§2 (Warranty exclusions) will be** requested from the Buyer/Customer who reported the failure.
7. The Claimant is obliged to give a written confirmation of the service provided.
8. SONNIGER is entitled to refuse the warranty service if SONNIGER has not received full payment for the product complained about under the Guarantee or any previous servicing activities.

**GARANTIEKARTE**

Projekt: .....

Modell:.....

Fabriknummer:.....

Einkaufsdatum:.....

Inbetriebnahmedatum:.....

Angaben zum Installationsunternehmen

Angaben zum Inbetriebnehmer:.....

Firma:.....

.....

Adresse:.....

Telefon:.....

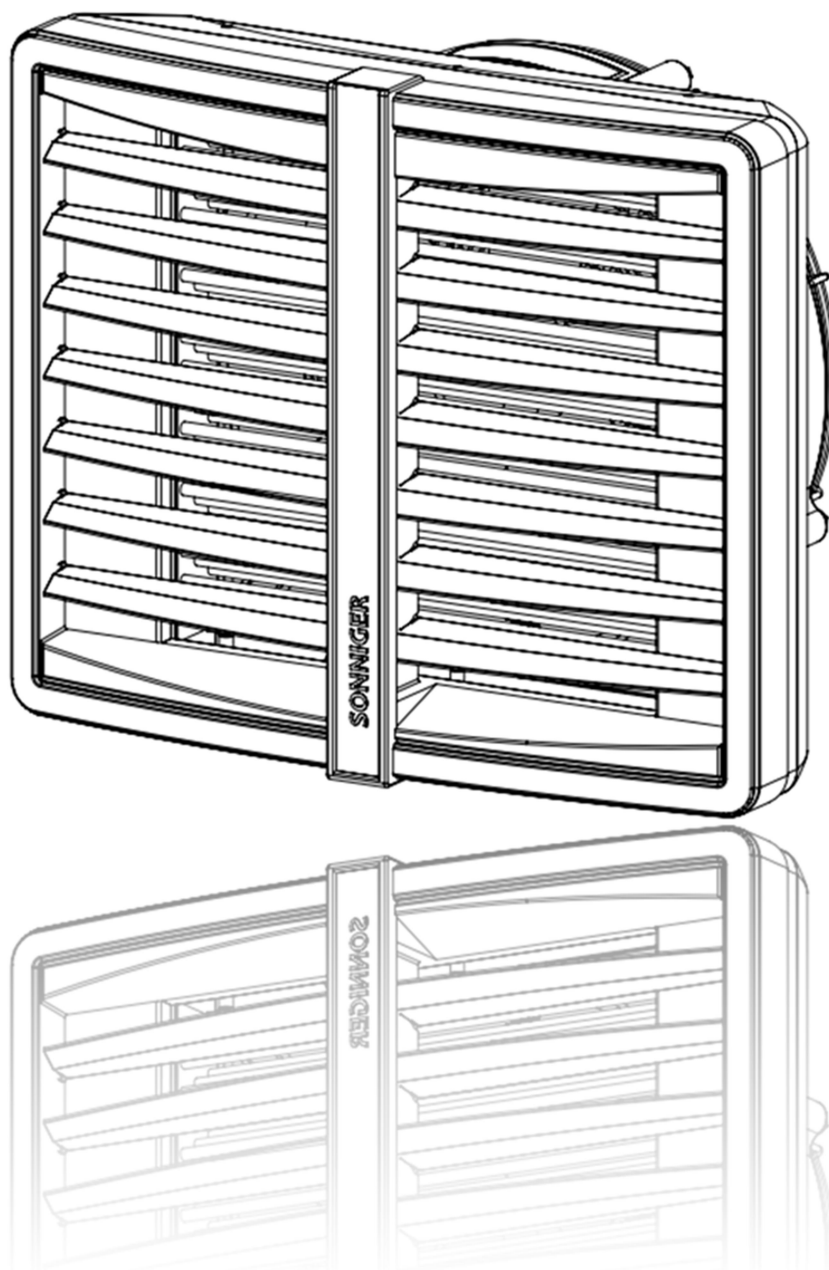
Unterschrift des Inbetriebnehmers:.....

Register der Installationsarbeiten, Durchsichten, Reparaturen:

Datum	Bereich der Installationsarbeiten, Durchsichten, Reparaturen:	Unterschrift und Stempel des Installationsunternehmens

Garantie: Die Garantiezeit beträgt 24 Monate

## NOTICE D'UTILISATION ET DE MAINTENANCE HEATER CONDENS



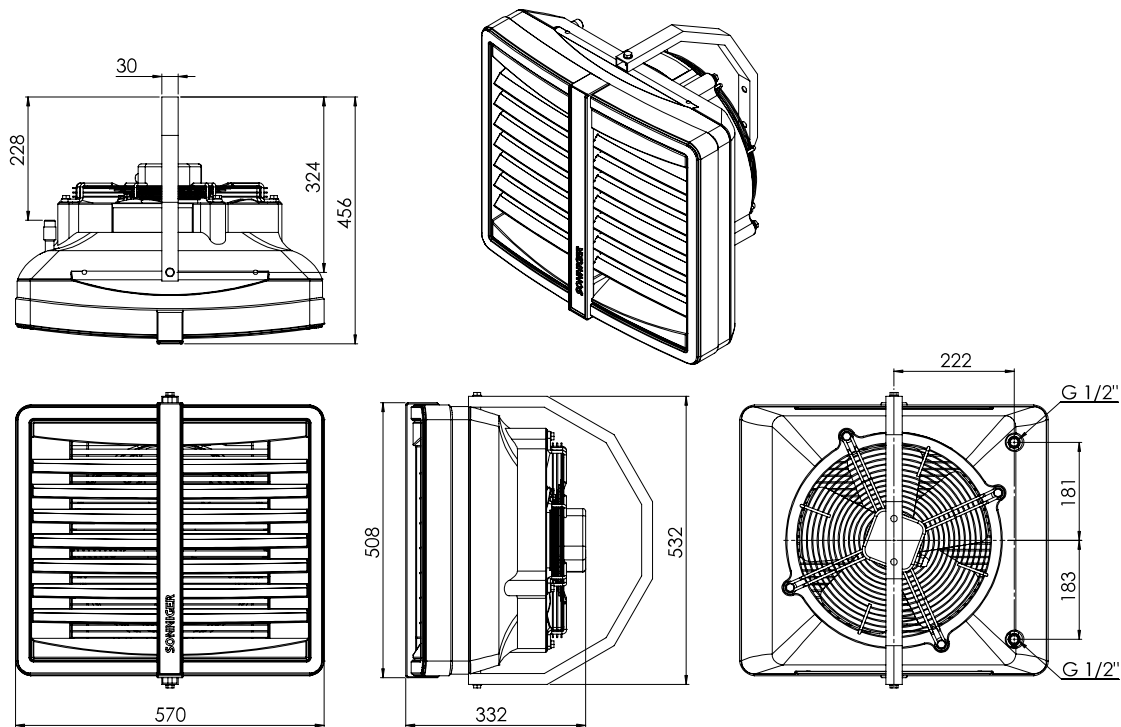
**SONNIGER S.A.**

ul. Śląska 35/37, 81-310 Gdynia, Poland, infolinia 801 055 155, tel. + 48 58 785 34 80, [www.sonniger.com](http://www.sonniger.com)  
Sąd Rejonowy Gdańsk-Północ, VIII Wydział Gospodarczy Krajowego Rejestru Sądowego, KRS 0000966611, NIP 586 227 35  
14, Regon 22154369 kapitał zakładowy: 1.655.000 PLN

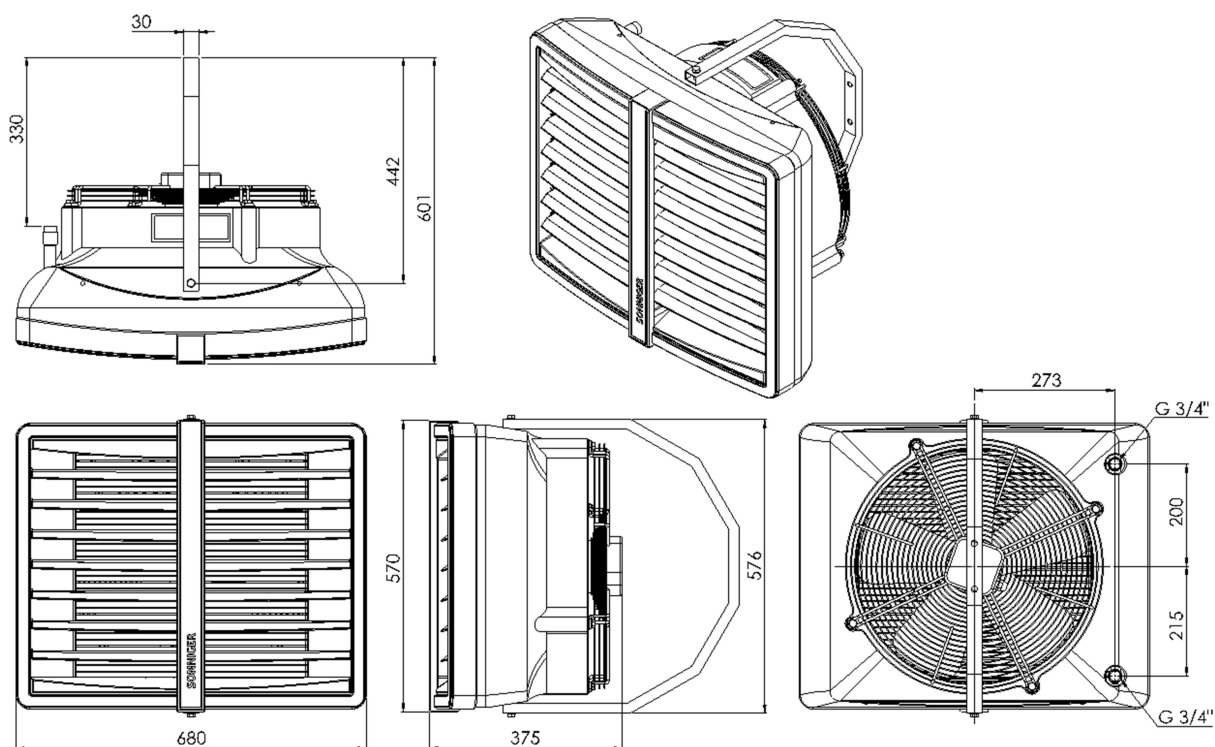
## 1. INFORMATIONS GÉNÉRALES

Les appareils de chauffage et de ventilation HEATER CONDENS sont conçus pour être utilisés dans les bâtiments de petite et moyenne capacité, notamment: les halls de production et de stockage, showroom automobiles, stations-service, salles de sport, stades, bâtiments sacrés, magasins de détail et grossistes, installations agricoles, surfaces d'exposition... Le HEATER CONDENS est une solution pouvant être connecter à des sources d'eau à basse température (cf. chaudières à condensation, pompes à chaleur industrielles). Les principaux avantages des HEATER CONDENS sont: **la température élevée de l'air soufflé** générée par une température de régime d'eau basse, **l'utilisation maximale de la surface de la batterie d'eau** - nouvelle géométrie (taille des ailettes améliorée, espace réduit entre les ailettes), **l'évacuation du flux d'air optimisée** - température élevée de l'air en sortie générée à chaque vitesse du ventilateur

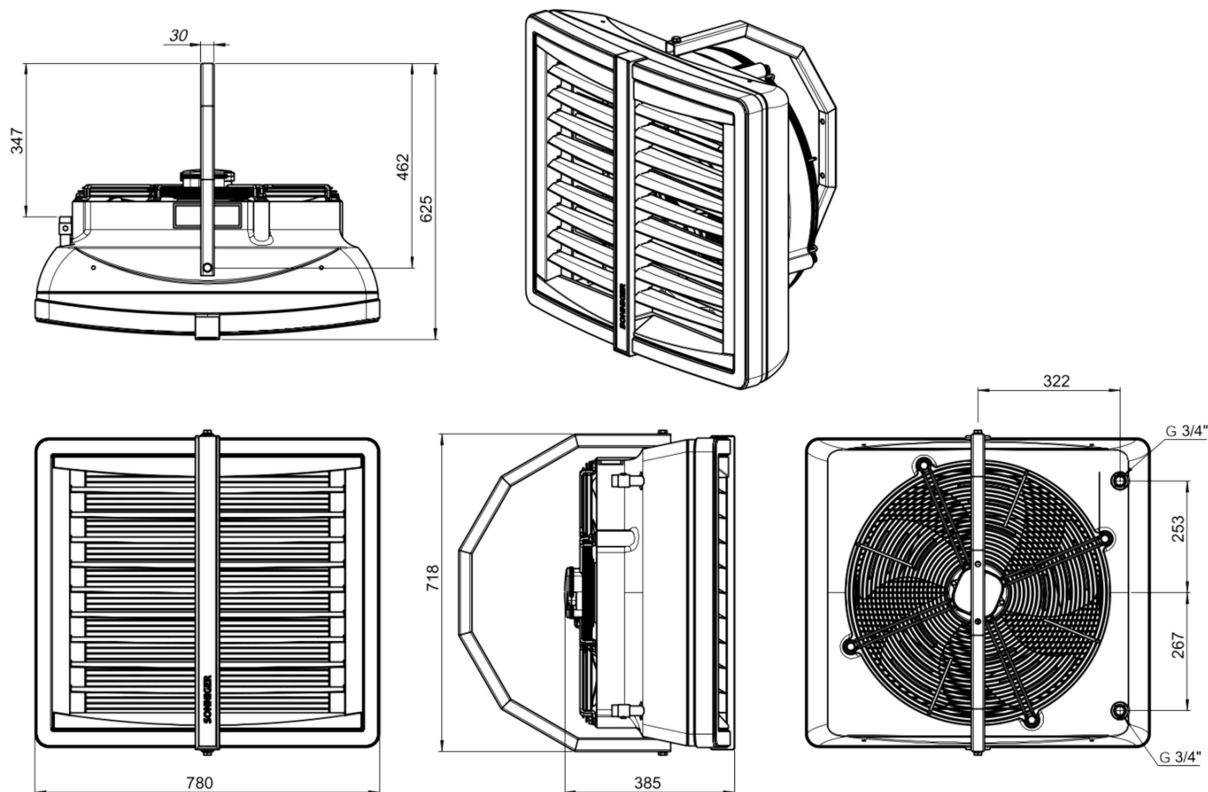
## 2. DIMENSIONS ET PARAMÈTRES TECHNIQUES DU HEATER CR ONE



## DIMENSIONS ET PARAMÈTRES TECHNIQUES DES HEATER CONDENS CR1, CR2, CR3, MIX1



**DIMENSIONS ET PARAMÈTRES TECHNIQUES DES HEATER CONDENS CR2 MAX, CR3 MAX, CR4 MAX, MIX2**



**Éléments des appareils HEATER CONDENS :**

- ▄ Un boîtier en PP-E (polypropylène expansé) hautement résistant
- ▄ Ailettes réglables
- ▄ Un ventilateur axial à 3 phase, dimensions 350 mm, 450 mm ou 550mm; protégé de l'accès direct aux éléments tournants grâce à une grille de sécurité
- ▄ Un échangeur de chaleur – (Cu/AL) équipé de tubes de cuivre placés dans un échangeur / bloc lamellaire en aluminium avec raccord 1/2" , 3/4 ". Les raccords sont équipés de purgeur d'air et d'un évent de sortie de chaleur.

Paramètres techniques	HEATER CONDENS							DESTRATIFICATEUR		
	CR ONE	CR1	CR2	CR3	CR2 MAX	CR3 MAX	CR4 MAX	MIX 1	MIX 2	
Plage de puissance thermique *	kW	5-25	10-35	15-50	20-70	25-70	35-95	40-120	-	-
Puissance (90/70) / ΔT augmentation T° de l'air **	kW / °C	19 kW/35°C	23 kW/18°C	39 kW/33°C	50 kW/48°C	55 kW/30°C	74 kW/49°C	94 kW /60°C	-	-
Puissance (70/50) / ΔT augmentation T° de l'air **	kW / °C	13 kW/25°C	16 kW/13°C	26 kW/22°C	35 kW/34°C	40 kW/22°C	53 kW/35°C	68 kW/44°C	-	-
Puissance (50/30) / ΔT augmentation T° de l'air **	kW / °C	7 kW/15°C	9 kW/8°C	13 kW/11°C	20 kW/20°C	25 kW/14°C	32 kW/21°C	42 kW/27°C	-	-
Débit d'air max – Vitesse III	m³/h	1 600	3 900	3 350	2 950	5 700	5 600	5 100	4 800	7 200
Niveau sonore vitesse I/II/III ****	dB (A)	35/46/52	44/52/62	41/50/60	39/48/60	46/54/64	43/51/63	44/52/62	36/44/54	39/47/57
Nombre de rang		2	1	2	3	2	3	3	-	-
Pression de service max	MPa	1,6	1,6			1,6			-	-
Portée d'air max *****	m	14	27	25	24	27	26	25	11,4***	16***
Diamètre raccordement eau	inch	1/2"	3/4"			3/4"			-	-
Alimentation électrique	V/Hz /A	230/50 0,58A		230/50 1,08A			230/50 2,2A		230/50 1,08A	230/50 2,2A
Puissance moteur	W	124	250			520			250	520
Vitesse moteur	RPM	1400	1350			1380			1350	1380
Indice de protection IP		IP 54	IP 54			IP 54			IP 54	
Poids sans eau / avec eau	kg	9,6/10,7	10,8/11,9	12,7/14,8	14,5/16,9	23,6/25,2	25,2/27,4	25,5/28	9,2	15,8

\* puissance minimale indiquée pour un régime d'eau 50/30°C et reprise d'air à 0°C, vitesse III / puissance maximale indiquée pour un régime d'eau 120/90°C et reprise d'air à 0°C, vitesse III

\*\* pour une reprise d'air à 0°C

\*\*\* hauteur maximale d'installation pour un flux d'air vertical, zone de travail maximale 380 m² pour MIX 1 et 450 m² pour MIX 2

\*\*\*\* mesuré à une distance de 5m

\*\*\*\*\* Plage horizontale du flux isotherme à une vitesse de 0,5 m/s

### 3. INFORMATIONS GÉNÉRALES

Les appareils de chauffage et de ventilation HEATER CONDENS sont fabriqués dans le respect des normes de qualité, d'écologie, d'utilité et de confort de travail. Les appareils HEATER CONDENS sont livrés prêts à l'emploi dans un emballage en carton qui protège de tout dommages mécaniques. Le paquet comprend : l'appareil, le manuel (Notice d'Utilisation et de Maintenance) et la Garantie. Si la commande automatique optionnelle est commandée, elle doit être livrée dans un colis séparé. Assurez-vous que tous les éléments mentionnés ci-dessus sont dans le colis immédiatement après la livraison. En l'absence de tout élément, veuillez remplir le document de transport approprié.

#### ATTENTION !

- ❶ Avant le montage, lisez attentivement le manuel et respectez les règles concernant les procédures de montage. La non-application peut entraîner un fonctionnement inapproprié de l'appareil et la perte des droits de garantie.
- ❶ Faites particulièrement attention lorsque vous travaillez avec des éléments électriques de l'appareil.
- ❶ Toute opération d'installation doit être effectuée par des personnes qualifiées disposant des autorisations appropriées

### 4. MONTAGE

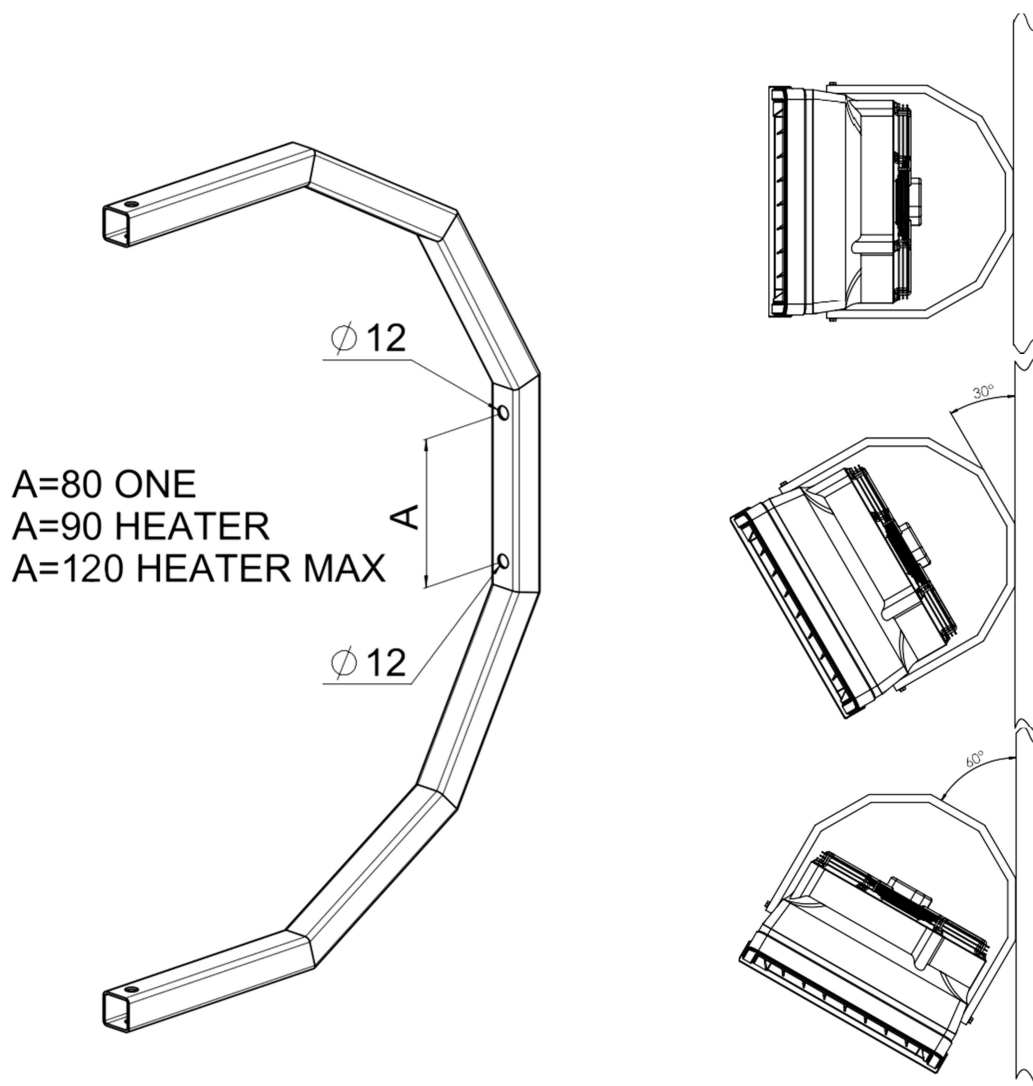
Avant toute procédure d'installation, tenir compte des aspects suivants: accès facile pour les travaux de maintenance, accès à l'eau et à l'installation électrique, une distribution d'air appropriée dans la pièce.

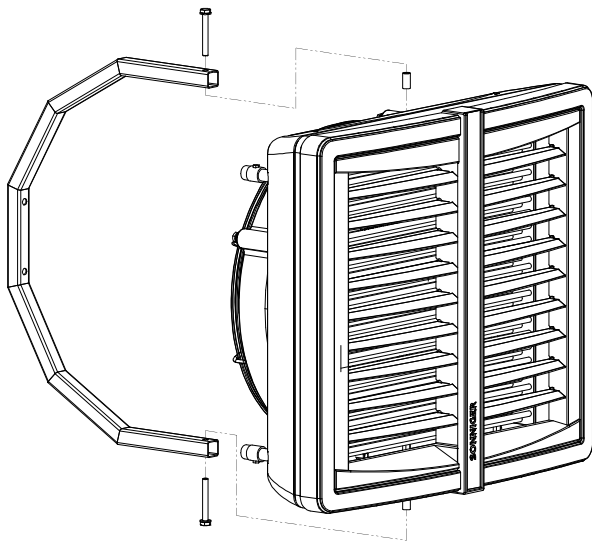
Chaque HEATER CONDENS est équipé d'un ensemble de 3 inserts de couleur interchangeables; pour changer la couleur, retirez l'insert du panneau avant et remettez celui souhaité à la place.

Il est conseillé de monter l'appareil au mur ou au plafond sur les supports de montage d'origine, des broches de support (non fournies avec l'appareil) ou des constructions de support (les formes et les dimensions de la construction de support peuvent être conçues individuellement dans le respect de la durabilité et de la résistance requises)

En cas de montage au plafond, faites attention au fait que la sortie d'air / la ventilation de l'appareil peut être difficile, il est donc conseillé de placer l'évent au point le plus élevé de la tuyauterie.

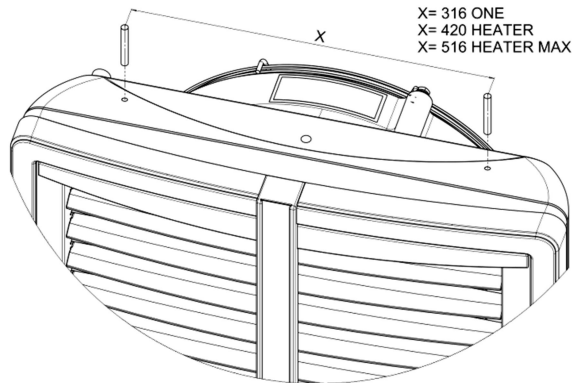
L'appareil peut être fixé au mur à l'aide du support de montage à un angle de 0°, 30° ou 60°. Le support de montage est constitué d'un profil incurvé. Il a deux trous pour l'assemblage vertical. L'assemblage au mur et / ou au plafond est possible à différents angles mais il nécessite de percer les trous nécessaires dans le support.





### Support de montage du Heater Condens

L'ensemble de supports comprend : un support, deux manchons, deux vis M8 et des rondelles. Pour monter le support, percez deux trous de Ø12-13 mm aux endroits visiblement marqués sur le boîtier. Insérez les manchons dans les trous percés et placez le support dedans. Le support de montage doit être vissé avec des vis M8 et des rondelles.

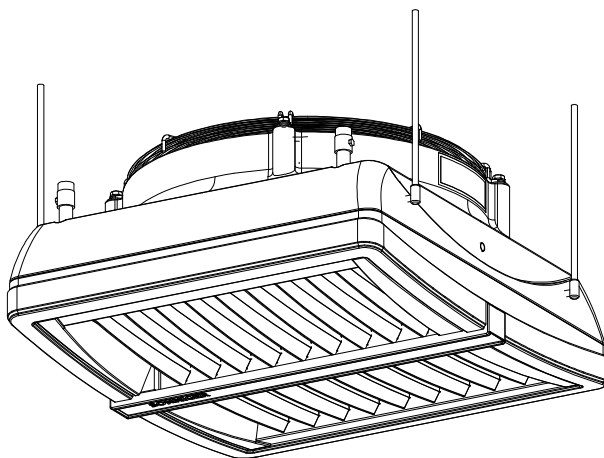


### Installation des broches de montage

Pour monter le radiateur au plafond, utilisez des broches de montage M8. Percez deux trous Ø8-9mm aux endroits indiqués sur le boîtier. Les broches de montage peuvent être vissées dans le boîtier de l'échangeur de chaleur à une profondeur maximale de 20 mm.

### ATTENTION !

- ❗ Lors du perçage des trous aux endroits marqués, veillez à ne pas endommager la bobine en allant au-delà de 20 mm!



### Montage des déstratificateurs HEATER MIX1 et 2

Pour monter les déstratificateurs HEATER MIX1 et 2 au plafond, utilisez des broches de montage M8. Percez deux trous Ø8-9mm aux endroits indiqués sur le boîtier. Les broches de montage peuvent être vissées dans le boîtier de l'échangeur de chaleur à une profondeur maximale de 20 mm. Les broches de montage et les éléments de connexion ne sont pas inclus avec l'unité.

### REMARQUE !

- ❗ Afin d'assurer le bon fonctionnement de l'appareil, maintenez une distance de sécurité - 200 mm de chaque côtés et 300 mm à l'arrière du ventilateur

## 5. INSTALLATION ELECTRIQUE

L'installation électrique et le raccordement à l'alimentation électrique doivent être effectués conformément aux réglementations et normes en vigueur pour le bâtiment.

Le moteur du ventilateur est équipé d'un fusible de limite de température interne protégeant le moteur de sa surchauffe.

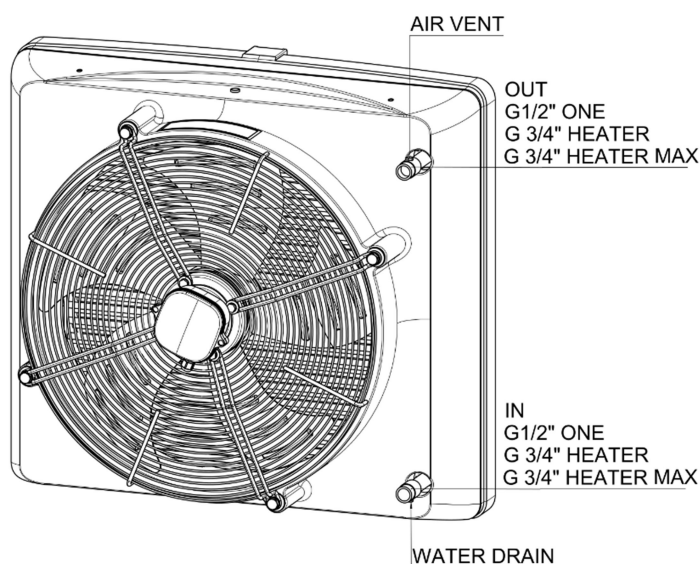
L'ensemble ne comprend pas : le câble d'alimentation, l'interrupteur principal (voir schéma)

L'installation électrique doit être effectuée par une personne autorisée, familiarisée avec le manuel. Le raccordement du câble d'alimentation et de l'interrupteur général doit être effectué conformément au schéma électrique (avec ou sans la commande automatique, selon l'option choisie). Tous les dommages subis en raison des causes susmentionnées ne sont pas couverts par la Garantie et l'utilisateur sera facturé pour tous les frais d'échange de l'appareil. Le raccordement de la commande automatique doit être effectué conformément au schéma électrique.

En cas de doute ou de problème, débranchez l'appareil et contactez l'installateur de l'appareil ou le service agréé SONNIGER.

## 6. CONNEXION AU RÉSEAU D'EAU

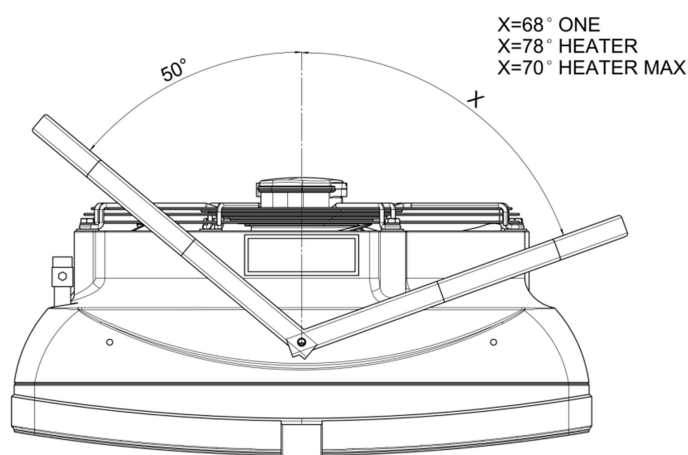
L'installation de l'aérotherme doit être effectuée de manière à permettre d'en effectuer la maintenance ; des robinet-vannes à fermeture manuelle doivent être installées au niveau des deux tuyaux de raccordement afin de permettre une coupure. Les câbles d'alimentation de l'aérotherme doivent être connectés conformément aux symboles / marquages sur le boîtier (entrée / sortie). Dans le cas d'une vanne électromagnétique (avec l'option de commande automatique), elle doit être installée au niveau de la sortie afin de ne pas être endommagée. Lorsque la tuyauterie est connectée à l'échangeur, sécurisez les connexions du réchauffeur contre les surcharges de couple (voir figure) qui peuvent provoquer des fuites dans l'échangeur.



### Fluide caloporteur

Les tuyaux de raccordement se trouvent à l'arrière de l'appareil. Lors du raccordement des tuyaux / connexions hydrauliques, assurez-vous de sécuriser les tuyaux de raccordement contre le couple de rotation.

Notez que les tuyaux de raccordement ne sont pas sollicités par les tuyaux. La vanne de fluide caloporteur se trouve sur le tuyau d'alimentation et l'évent se trouve sur le tuyau de retour



Utilisez des flexibles de connexion pour permettre au radiateur d'être orienté dans la position désirée. En fonction des flexibles, l'angle maximal est de :

70° - pour HEATER CONDENS MAX,  
78° - pour HEATER CONDENS CR1, CR2, CR3,  
68° - pour HEATER CONDENS CR ONE, des 2 côtés.

Le schéma montre l'angle maximum d'un côté et 50° de l'autre, avec une distance minimale à gauche pour les connexions.

## 7. INSTALLATION DU CONTRÔLEUR AUTOMATIQUE

Un ensemble de commande automatique peut être utilisé (alimenté en 230 V) comprenant les éléments suivants:

- ☛ Panneau CONFORT – comprenant un thermostat d'ambiance, un interrupteur et un régulateur 3 vitesses. Un panneau CONFORT peut réguler jusqu'à 6 aérothermes CR ONE, 3 aérothermes CR 1/2/3 ou 2 aérothermes CR 2/3/4 MAX.
- ☛ Une vanne 2 voies avec son actionneur : la vanne doit être installée en entrée de l'aérotherme
- ☛ Un panneau de commande électronique INTELLIGENT avec régulateur de vitesse automatique, programme hebdomadaire et communication GTC. Un panneau INTELLIGENT peut réguler jusqu'à 4 aérothermes CR ONE, 2 aérothermes CR 1/2/3 ou 1 aérotherme CR 2/3/4 MAX.
- ☛ Un répartiteur MULTI 6 – connecté à un panneau CONFORT ou INTELLIGENT, contrôle jusqu'à 6 aérothermes CR 1/2/3, ou 6 aérothermes CR 2/3/4 MAX, ou 12 aérothermes CR ONE.

Le système est prêt à démarrer une fois que les connexions entre le thermostat et l'actionneur de vanne sont effectuées, une alimentation de 230 V est fournie au thermostat et le moteur du ventilateur est alimenté par le contrôleur de régime.



Description des nouveaux interrupteurs du contrôleur CONFORT

**OFF-I-II-III** - interrupteur et régulation de la vitesse du ventilateur

**HEAT** - le thermostat donne un signal de fonctionnement à l'actionneur et au ventilateur, le ventilateur s'éteint lorsque la température prédéfinie est atteinte, la vanne ferme l'alimentation en eau

**FAN** - fonctionnement du ventilateur de l'appareil en fonction du thermostat, les vannes ne fonctionnent pas

**COOL** - le thermostat donne un signal de fonctionnement à l'actionneur et au ventilateur, l'appareil commence à fonctionner dès lors que la température prédéfinie est atteinte

## 8. PREMIÈRE UTILISATION

Effectuer toutes les connexions (électrique, eau et contrôle automatique), vérifier l'étanchéité de toutes les connexions effectuées par un installateur et purger l'appareil puis démarrer l'appareil dans l'ordre suivant:

- 8.1. Mettez sous tension,
- 8.2. Réglez la vitesse demandée du ventilateur sur le contrôleur de régime,
- 8.3. Réglez la température demandée sur le thermostat,

Le ventilateur fonctionne en continu, que la vanne du radiateur soit ouverte ou non.

## 9. ARRÊT

Pour éteindre l'appareil, procédez comme suit:

- 9.1. Réglez la température minimale sur le thermostat - après 7 secondes, la vanne se ferme et le chauffage est arrêté..
- 9.2. Mettez l'interrupteur principal sur la position «0» (arrêt); le ventilateur s'éteint et le thermostat est hors tension.

## 10. FONCTIONNEMENT

Le moteur et le ventilateur utilisés dans les aérothermes HEATER Condens sont des appareils sans entretien, mais des contrôles réguliers sont recommandés, en particulier le moteur et le roulement (le rotor du ventilateur doit tourner librement, exempt de toute projection axiale et radiale et de coups / cliquetis indésirables).

### REMARQUE !

- ⓘ En cas de chocs métalliques, de vibrations ou d'augmentation du niveau sonore, vérifiez si le montage / la fixation du ventilateur ne fonctionne pas anormalement, contactez l'installateur ou le service agréé SONNIGER.

## 11. MAINTENANCE

L'échangeur de chaleur nécessite un nettoyage systématique de toutes saletés / impuretés. Avant le début de la période de chauffage, il est conseillé de nettoyer l'échangeur de chaleur avec de l'air comprimé dirigé vers les sorties d'air; il n'est pas nécessaire de démonter l'appareil. Faites particulièrement attention lors du nettoyage des ailettes de l'échangeur en raison du risque élevé de les endommager. Si les ailettes sont pliées, utilisez un outil spécialement conçu pour effectuer ces réparations. Si l'appareil n'a pas été utilisé pendant une période prolongée, débranchez-le avant la prochaine utilisation.

L'échangeur de chaleur n'est équipé d'aucun dispositif de protection contre l'incendie. L'échangeur de chaleur peut être endommagé si la température ambiante descend en dessous de 0°C.

Un liquide antigel doit être ajouté au système de circulation d'eau. Le liquide antigel doit être approprié au matériau dans lequel est constitué l'échangeur (cuivre) ainsi qu'aux autres éléments du système hydraulique / de la circulation. Le liquide doit être dilué avec de l'eau selon la solution recommandée par le fabricant d'antigel.



## NOTICE D'UTILISATION ET DE MAINTENANCE HEATER CONDENS v202301

### 12. PARAMÈTRES TECHNIQUES DES HEATER CONDENS

#### HEATER CONDENS CR ONE

T° de l'eau à l'entrée/sortie T° de l'air à l'entrée	50/30					50/40					60/40					70/50					80/60					90/70					120/90				
	0	5	10	15	20	0	5	10	15	20	0	5	10	15	20	0	5	10	15	20	0	5	10	15	20	0	5	10	15	20	0	5	10	15	20
Débit d'air 1600 m3/h (vitesse 3)																																			
Puissance thermique kW	6,7	5,6	4,6	3,4	1,8	8,9	7,8	6,8	5,7	4,6	9,7	8,6	7,5	6,3	5,2	12,5	11,4	10,2	9,1	7,9	15,6	14,4	13,2	12,0	10,8	18,7	17,5	16,2	15,0	13,8	25,7	24,4	23,1	21,8	20,5
T° d'air à la sortie °C	14,4	16,7	19,0	21,1	22,2	18,5	21,0	23,5	25,9	28,4	19,8	22,2	24,7	27,1	29,4	24,9	27,4	29,9	32,3	34,8	29,9	32,4	35,0	37,5	40,0	35,0	37,5	40,1	42,6	45,2	46,4	49,0	51,6	54,1	56,6
débit d'eau m3/h	0,4	0,3	0,3	0,2	0,1	0,9	0,8	0,7	0,6	0,5	0,5	0,4	0,4	0,3	0,3	0,6	0,6	0,5	0,4	0,4	0,7	0,7	0,6	0,6	0,5	0,9	0,8	0,7	0,7	0,6	0,8	0,7	0,7	0,6	0,6
baisse de pression kPa	5,0	3,6	2,5	1,5	0,5	25,9	20,7	15,9	11,7	8,1	8,0	6,5	5,0	3,7	2,6	11,5	9,7	8,0	6,5	5,1	15,4	13,3	11,4	9,6	8,0	19,6	17,4	15,2	13,2	11,3	14,7	13,4	12,2	11,0	9,8
Débit d'air 1200 m3/h (vitesse 2)																																			
Puissance thermique kW	5,6	4,7	3,8	2,8	1,6	7,3	6,5	5,6	4,7	3,9	8,1	7,1	6,2	5,3	4,3	10,4	9,4	8,5	7,5	6,6	12,9	11,9	11,0	10,0	9,0	15,5	14,5	13,5	12,5	11,5	21,3	20,2	19,2	18,1	17,1
T° d'air à la sortie °C	16,0	18,1	20,0	21,8	23,1	20,5	22,8	25,0	27,2	29,4	21,9	24,1	26,3	28,5	30,6	27,6	29,8	32,1	34,3	36,5	33,1	35,5	37,7	40,0	42,3	38,7	41,1	43,3	45,7	47,9	51,4	53,8	56,0	58,3	60,6
débit d'eau m3/h	0,4	0,3	0,2	0,2	0,1	0,8	0,7	0,6	0,5	0,4	0,4	0,4	0,3	0,3	0,2	0,5	0,5	0,4	0,4	0,3	0,6	0,6	0,5	0,5	0,4	0,7	0,7	0,6	0,6	0,5	0,6	0,6	0,6	0,5	0,5
baisse de pression kPa	3,6	2,6	1,8	1,0	0,4	18,5	14,8	11,4	8,4	5,8	5,8	4,6	3,6	2,7	1,9	8,3	7,0	5,8	4,6	3,6	11,0	9,5	8,2	6,9	5,7	14,0	12,4	10,9	9,5	8,1	10,5	9,6	8,7	7,8	7,1
Débit d'air 750 m3/h (vitesse 1)																																			
Puissance thermique kW	4,0	3,4	2,7	1,8	1,3	5,3	4,7	4,1	3,4	2,8	5,9	5,2	4,5	3,8	3,1	7,6	6,9	6,2	5,5	4,8	9,4	8,7	8,0	7,3	6,6	11,3	10,5	9,8	9,1	8,3	14,8	14,7	14,0	13,2	12,4
T° d'air à la sortie °C	18,6	20,1	21,6	22,1	24,6	23,8	25,7	27,5	29,3	31,2	25,5	27,4	29,2	30,9	32,5	32,1	33,9	35,9	37,7	39,4	38,6	40,4	42,4	44,2	46,0	45,0	47,0	48,8	50,8	52,6	59,8	61,8	63,7	65,5	67,4
débit d'eau m3/h	0,2	0,2	0,1	0,1	0,1	0,6	0,5	0,4	0,4	0,3	0,3	0,3	0,2	0,2	0,2	0,4	0,3	0,3	0,3	0,2	0,4	0,4	0,4	0,3	0,3	0,5	0,5	0,5	0,4	0,4	0,5	0,4	0,4	0,4	0,4
baisse de pression kPa	2,0	1,5	1,0	0,5	0,3	10,4	8,3	6,4	4,7	3,3	3,3	2,6	2,1	1,5	1,1	4,7	3,9	3,3	2,6	2,1	6,2	5,4	4,6	3,9	3,3	7,9	7,0	6,1	5,3	4,6	5,9	5,4	4,9	4,4	4,0

#### HEATER CONDENS CR1

T° de l'eau à l'entrée/sortie T° de l'air à l'entrée	50/30					50/40					60/40					70/50					80/60					90/70					120/90				
	0	5	10	15	20	0	5	10	15	20	0	5	10	15	20	0	5	10	15	20	0	5	10	15	20	0	5	10	15	20	0	5	10	15	20
Débit d'air 3900 m3/h (vitesse 3)																																			
Puissance thermique kW	8,7	7,1	5,4	3,6	1,7	12,1	10,6	9,1	7,5	6,0	12,4	10,8	9,3	7,7	6,1	16,0	14,4	12,9	11,3	9,7	21,1	19,4	17,6	15,9	14,2	23,0	21,4	19,7	17,9	16,1	37,9	35,9	33,9	31,9	29,9
T° d'air à la sortie °C	7,3	11,4	15,5	19,4	23,2	10,0	14,3	18,4	22,6	26,8	10,2	14,4	18,5	22,7	26,9	12,8	16,9	21,2	25,3	29,4	17,2	21,7	26,3	30,8	35,5	18,0	25,8	30,7	35,5	40,3	30,7	36,0	41,3	46,6	51,9
débit d'eau m3/h	0,4	0,3	0,2	0,2	0,1	1,1	0,9	0,8	0,7	0,5	0,5	0,5	0,4	0,3	0,3	0,6	0,6	0,5	0,4	0,3	0,8	0,8	0,7	0,6	0,6	0,8	0,8	0,7	0,7	0,6	0,9	0,8	0,8	0,7	0,7
baisse de pression kPa	2,8	1,9	1,2	0,6	0,2	16,6	13,1	9,9	7,2	4,8	4,8	3,8	2,9	2,1	1,4	7,1	5,9	4,8	3,8	2,9	9,7	8,4	7,1	5,9	4,8	9,7	8,7	7,7	6,8	5,9	9,4	8,5	7,7	6,9	6,1
Débit d'air 2500 m3/h (vitesse 2)																																			
Puissance thermique kW	6,7	5,5	4,2	2,1	1,5	9,4	8,3	7,1	5,9	4,7	9,7	8,5	7,2	6,0	4,7	12,5	11,3	10,0	8,8	7,6	16,4	15,1	13,8	12,4	11,1	21,0	19,5	18,1	16,6	15,2	29,6	28,0	26,5	24,9	23,4
T° d'air à la sortie °C	8,8	12,6	16,3	19,2	23,8	12,2	16,1	20,1	24,0	27,9	12,4	16,3	20,2	24,1	28,0	15,6	19,5	23,3	27,2	31,1	20,9	25,2	29,4	33,7	38,0	25,6	30,1	34,6	39,0	43,6	37,4	42,3	47,3	52,2	57,3
débit d'eau m3/h	0,3	0,2	0,2	0,1	0,1	0,8	0,7	0,6	0,5	0,4	0,4	0,4	0,3	0,3	0,2	0,5	0,5	0,4	0,4	0,3	0,7	0,6	0,5	0,5	0,4	0,8	0,7	0,7	0,6	0,6	0,7	0,6	0,6	0,5	0,5
baisse de pression kPa	1,8	1,2	0,8	0,2	0,1	10,6	8,4	6,4	4,6	3,1	3,1	2,4	1,9	1,3	0,9	4,6	3,8	3,1	2,5	1,9	6,3	5,4	4,6	3,8	3,1	8,0	7,1	6,2	5,3	4,5	6,0	5,5	4,9	4,4	4,0
Débit d'air 1850 m3/h (vitesse 1)																																			
Puissance thermique kW	5,6	4,5	3,4	2,0	1,4	7,9	6,9	5,9	4,9	3,9	8,1	7,1	6,1	5,0	3,9	10,5	9,5	8,4	7,4	6,4	13,8	12,7	11,6	10,4	9,3	17,6	16,4	15,2	14,0	12,8	24,8	23,5	22,2	20,9	19,6
T° d'air à la sortie °C	9,9	13,5	16,9	19,8	24,3	13,8	17,5	21,3	25,0	28,7	14,0	17,8	21,5	25,1	28,6	17,7	21,4	25,1	28,7	32,3	23,6	27,7	31,8	35,8	39,8	29,0	33,2	37,5	41,8	45,9	42,3	47,0	51,8	56,4	61,2
débit d'eau m3/h	0,3	0,2	0,2	0,1	0,1	0,7	0,6	0,5	0,4	0,3	0,4	0,3	0,3	0,2	0,2	0,5	0,4	0,4	0,3	0,3	0,5	0,5	0,5	0,4	0,4	0,6	0,6	0,6	0,5	0,5	0,6	0,5	0,5	0,5	0,4
baisse de pression kPa	1,3	0,9	0,5	0,2	0,1	7,8	6,1	4,7	3,4	2,3	2,3	1,8	1,4	1,0	0,6	3,4	2,8	2,3	1,8	1,4	4,6	3,9	3,3	2,8	2,3	5,9	5,2	4,5	3,9	3,3	4,4	4,0	3,6	3,2	2,9

#### HEATER CONDENS CR2

T° de l'eau à l'entrée/sortie T° de l'air à l'entrée	50/30					50/40					60/40					70/50					80/60					90/70					120/90				
	0	5	10	15	20	0	5	10	15	20	0	5	10	15	20	0	5	10	15	20	0	5	10	15	20	0	5	10	15	20	0	5	10	15	20
Débit d'air 3350 m3/h (vitesse 3)																																			
Puissance thermique kW	12,5	10,5	8,4	6,1	2,8	17,7	15,7	13,4	11,2	9,1	19,6	17,3	15,0	12,6	10,2	26,2	23,7	21,3	18,8	16,3	32,5	30,0	27,5	24,9	22,4	39,3	36,7	34,0	31,4	28,8	53,4	50,7	48,0	45,3	42,6
T° d'air à la sortie °C	10,7	14,3	16,9	19,5	21,9	15,0	17,1	19,3	21,6	23,7	16,6	19,0	21,2	23,5	25,8	22,1	24,6	27,1	29,5	32,0	27,2	29,7	32,2	34,8	37,3	32,4	35,0	37,6	40,2	42,7	45,0	47,6	50,4	53,1	55,9
débit d'eau m3/h	0,7	0,6	0,5	0,3	0,2	1,9	1,6	1,4	1,2	1,0	1,0	0,8	0,7	0,6	0,5	1,2	1,1	1,0	0,9	0,8	1,5	1,3	1,2	1,1	1,0	1,7	1,6	1,5	1,4	1,2	1,5	1,4	1,3	1,3	1,2
baisse de pression kPa	4,4	3,2	2,1	1,2	0,3	23,9	19,0	14,5	10,6	7,2	7,2	5,8	4,4	3,3	2,2	10,5	8,8	7,2	5,8	4,5	14,1	12,2	10,4	8,8	7,2	18,2	16,0	14,0	12,1	10,4	13,6	12,4	11,2	10,1	9,0
Débit d'air 2000 m3/h (vitesse 2)																																			
Puissance thermique kW	9,1	7,6	6,0	4,2	2,4	12,7	11,2	9,7	8,1	6,6	14,2	12,6	10,9	9,2	7,4	19,0	17,2	15,5	13,7	11,9	23,5	21,7	19,9	18,1	16,3	28,4	26,5	24,6	22,7	20,9	38,6	36,7	34,8	32,8	30,9
T° d'air à la sortie °C	12,9	19,4	21,4	23,0	24,5	18,1	19,9	21,7	23,6	25,4	20,2	22,1	23,9	25,8	27,7	26,9	28,9	30,9	33,0	35,0	32,9	35,0	37,1	39,2	41,3	39,2	41,4	43,5	45,6	47,8	54,5	56,7	59,0	61,2	63,4
débit d'eau m3/h	0,5	0,4	0,3	0,2	0,1	1,3	1,2	1,0	0,9	0,7	0,7	0,6	0,5	0,4	0,4	0,9	0,8	0,7	0,6	0,5	1,1	1,0	0,9	0,8	0,7	1,2	1,1	1,1	1,0	0,9	1,1	1,0	1,0	0,9	0,9
baisse de pression kPa	2,5	1,8	1,2	0,6	0,2	13,3	10,6	8,1	6,0	4,1	4,1	3,3	2,5	1,9	1,3	5,9	4,9	4,1	3,3	2,6	7,9	6,8	5,8	4,9	4,1	10,1	8,9	7,8	6,8	5,8	7,6	6,9	6,3	5,7	5,1
Débit d'air 1450 m3/h (vitesse 1)																																			
Puissance thermique kW	7,3	6,1	4,8																																

**NOTICE D'UTILISATION ET DE MAINTENANCE HEATER CONDENS v202301**

**HEATER CONDENS CR2 MAX**

T° de l'eau à l'entrée/sortie	50/30					50/40					60/40					70/50					80/60					90/70					120/90				
	0	5	10	15	20	0	5	10	15	20	0	5	10	15	20	0	5	10	15	20	0	5	10	15	20	0	5	10	15	20	0	5	10	15	20

**Débit d'air 5700 m3/h (vitesse 3)**

Puissance thermique kW	24,5	20,5	16,5	12,3	7,5	31,3	27,4	23,6	19,7	15,9	32,2	28,3	24,5	20,6	16,7	39,7	35,9	32,0	28,3	24,5	47,5	43,6	39,8	36,0	32,2	55,0	51,1	47,2	43,4	39,6	72,4	68,5	64,5	60,6	56,8
T° d'air à la sortie °C	13,7	16,8	19,8	22,7	25,0	17,4	20,6	23,8	26,8	29,9	18,0	21,1	24,2	27,3	30,2	22,3	25,5	28,6	31,7	34,8	26,0	29,2	32,3	35,4	38,4	30,1	33,3	36,4	39,5	42,6	39,3	42,6	45,9	49,1	52,2
débit d'eau m3/h	0,8	0,6	0,5	0,4	0,2	2,0	1,7	1,5	1,2	1,0	1,0	0,9	0,8	0,7	0,5	1,3	1,2	1,0	0,9	0,8	1,5	1,4	1,3	1,2	1,0	1,8	1,7	1,5	1,4	1,3	1,6	1,5	1,4	1,3	1,3
baisse de pression kPa	3,5	2,5	1,7	0,9	0,3	19,0	14,9	11,3	8,2	5,6	5,8	4,6	3,5	2,6	1,8	8,4	7,0	5,7	4,5	3,5	11,3	9,7	8,2	6,8	5,6	14,5	12,7	11,0	9,4	8,0	10,9	9,8	8,8	7,9	7,0

**Débit d'air 3900 m3/h (vitesse 2)**

Puissance thermique kW	19,6	16,4	13,1	9,7	4,4	24,9	21,8	18,7	15,7	12,7	25,7	22,6	19,5	16,5	13,4	31,7	28,6	25,6	22,6	19,6	37,8	34,7	31,7	28,7	25,7	43,7	40,6	37,6	34,5	31,5	57,4	54,3	51,1	48,0	45,0
T° d'air à la sortie °C	15,9	18,6	21,3	23,7	24,4	20,2	23,2	25,9	28,7	31,4	20,9	23,7	26,6	29,2	31,8	25,9	28,8	31,6	34,5	37,2	30,2	33,1	36,0	38,7	41,5	34,9	37,8	40,7	43,5	46,3	45,8	48,8	51,9	54,8	57,7
débit d'eau m3/h	0,9	0,8	0,6	0,5	0,2	2,4	2,1	1,8	1,5	1,2	1,3	1,1	1,0	0,8	0,7	1,6	1,4	1,3	1,1	1,0	1,9	1,8	1,6	1,4	1,3	2,2	2,1	1,9	1,8	1,6	2,0	1,9	1,8	1,7	1,5
baisse de pression kPa	5,1	3,7	2,5	1,4	0,4	28,0	22,0	16,7	12,1	8,2	8,5	6,7	5,2	3,8	2,6	12,3	10,2	8,3	6,7	5,1	16,6	14,2	12,0	10,0	8,2	21,4	18,7	16,2	13,9	11,8	16,1	14,5	13,0	11,6	10,3

**Débit d'air 2800 m3/h (vitesse 1)**

Puissance thermique kW	15,9	13,3	10,6	7,7	4,0	20,1	17,6	15,1	12,7	10,3	20,9	18,4	15,9	13,4	10,8	25,6	23,2	20,7	18,3	15,9	30,6	28,1	25,6	23,2	20,8	35,3	32,8	30,4	27,9	25,5	46,5	43,9	41,3	38,9	36,4
T° d'air à la sortie °C	18,0	20,4	22,7	24,5	25,4	22,7	25,4	27,9	30,4	32,7	23,6	26,2	28,7	31,0	33,3	29,2	31,9	34,5	37,0	39,4	34,0	36,8	39,3	41,8	44,2	39,3	42,0	44,6	47,1	49,7	51,5	54,5	57,2	59,9	62,5
débit d'eau m3/h	0,8	0,6	0,5	0,4	0,2	2,0	1,7	1,5	1,2	1,0	1,0	0,9	0,8	0,7	0,5	1,3	1,2	1,0	0,9	0,8	1,5	1,4	1,3	1,2	1,0	1,8	1,7	1,5	1,4	1,3	1,6	1,5	1,4	1,3	1,3
baisse de pression kPa	3,5	2,5	1,7	0,9	0,3	19,0	14,9	11,3	8,2	5,6	5,8	4,6	3,5	2,6	1,8	8,4	7,0	5,7	4,5	3,5	11,3	9,7	8,2	6,8	5,6	14,5	12,7	11,0	9,4	8,0	10,9	9,8	8,8	7,9	7,0

**HEATER CONDENS CR3 MAX**

T° de l'eau à l'entrée/sortie	50/30					50/40					60/40					70/50					80/60					90/70					120/90				
	0	5	10	15	20	0	5	10	15	20	0	5	10	15	20	0	5	10	15	20	0	5	10	15	20	0	5	10	15	20	0	5	10	15	20

**Débit d'air 5600 m3/h (vitesse 3)**

Puissance thermique kW	31,9	27,0	22,2	17,2	11,8	38,7	34,0	29,4	24,8	20,2	41,6	36,8	32,0	27,3	22,5	53,0	48,0	43,1	38,2	33,3	61,9	57,0	52,1	47,3	42,5	74,2	69,0	63,9	58,9	53,9	96,6	91,4	86,3	81,2	76,2
T° d'air à la sortie °C	20,9	24,8	28,4	31,9	35,1	25,4	29,6	33,6	37,5	41,3	27,3	31,4	35,5	39,3	43,2	35,0	39,3	43,3	47,4	51,3	41,0	45,5	49,9	54,1	58,2	49,1	53,5	57,9	62,2	66,4	63,2	68,1	72,6	77,2	81,8
débit d'eau m3/h	1,4	1,2	0,9	0,7	0,5	3,3	2,9	2,5	2,1	1,7	1,7	1,5	1,3	1,1	0,9	2,2	2,0	1,8	1,6	1,4	2,6	2,4	2,2	2,0	1,8	3,1	2,8	2,6	2,4	2,2	2,6	2,5	2,4	2,2	2,1
baisse de pression kPa	10,5	7,8	5,4	3,4	1,7	50,6	40,0	30,6	22,5	15,5	15,9	12,7	9,9	7,4	5,2	23,7	19,8	16,3	13,1	10,2	30,1	25,9	22,0	18,4	15,2	40,3	35,3	30,7	26,5	22,5	28,9	26,1	23,5	21,0	18,7

**Débit d'air 3800 m3/h (vitesse 2)**

Puissance thermique kW	25,3	21,4	17,5	13,5	9,0	30,5	26,8	23,1	19,5	15,9	32,9	29,1	25,3	21,6	17,8	41,9	37,9	34,0	30,2	26,4	48,9	45,0	41,1	37,3	33,5	58,4	54,3	50,3	46,4	42,4	76,2	72,1	68,0	64,0	60,0
T° d'air à la sortie °C	24,2	27,6	30,8	33,8	36,0	29,4	33,0	36,6	40,1	43,5	31,6	35,3	38,9	42,3	45,6	40,4	44,3	47,9	51,5	55,0	47,4	51,5	55,4	59,2	62,9	56,5	60,6	64,6	68,4	72,1	72,9	77,4	81,7	85,8	89,8
débit d'eau m3/h	1,1	0,9	0,7	0,6	0,4	2,6	2,3	2,0	1,6	1,3	1,4	1,2	1,1	0,9	0,7	1,7	1,6	1,4	1,3	1,1	2,0	1,9	1,7	1,5	1,4	2,4	2,2	2,1	1,9	1,8	2,1	2,0	1,9	1,7	1,6
baisse de pression kPa	6,9	5,1	3,6	2,2	1,1	32,8	26,0	19,9	14,6	10,1	10,4	8,3	6,5	4,8	3,4	15,4	12,9	10,6	8,5	6,7	19,6	16,8	14,3	12,0	9,9	26,1	22,9	19,9	17,1	14,6	18,7	16,9	15,2	13,6	12,1

**Débit d'air 2750 m3/h (vitesse 1)**

Puissance thermique kW	20,1	17,3	14,1	10,8	6,1	24,5	21,5	18,6	15,7	12,8	26,5	23,5	20,4	17,4	14,4	33,7	30,5	27,4	24,3	21,2	39,3	36,2	33,1	30,0	27,0	46,9	43,7	40,4	37,2	34,1	61,3	58,0	54,7	51,4	48,2
T° d'air à la sortie °C	27,2	30,1	32,8	35,2	35,5	32,8	36,2	39,4	42,4	45,4	35,5	38,8	41,9	45,1	47,8	45,3	48,8	52,1	55,1	58,2	53,2	56,8	60,3	63,7	67,1	63,1	66,8	70,5	73,9	77,3	81,7	85,8	89,7	93,5	97,1
débit d'eau m3/h	0,9	0,7	0,6	0,5	0,3	2,1	1,8	1,6	1,3	1,1	1,1	1,0	0,9	0,7	0,6	1,4	1,3	1,1	1,0	0,9	1,6	1,5	1,4	1,2	1,1	1,9	1,8	1,7	1,5	1,4	1,7	1,6	1,5	1,4	1,3
baisse de pression kPa	4,7	3,5	2,4	1,5	0,5	22,1	17,4	13,4	9,8	6,8	7,0	5,6	4,4	3,3	2,3	10,4	8,7	7,2	5,8	4,5	13,2	11,3	9,6	8,1	6,7	17,5	15,3	13,3	11,5	9,8	12,6	11,4	10,2	9,2	8,1

**HEATER CONDENS CR4 MAX**

T° de l'eau à l'entrée/sortie	50/30					50/40					60/40					70/50					80/60					90/70					120/90				
	0	5	10	15	20	0	5	10	15	20	0	5	10	15	20	0	5	10	15	20	0	5	10	15	20	0	5	10	15	20	0	5	10	15	20

**Débit d'air 5100 m3/h (vitesse 3)**

Puissance thermique kW	42,1	35,7	29,3	22,9	16,0	50,1	44,0	38,0	32,0	26,1	54,1	47,9	41,7	35,5	29,3	68,3	61,9	55,5	49,2	42,9	79,5	73,1	66,8	60,6	54,4	93,9	87,3	80,8	74,4	68,0	121,6	115,0	108,4	101,9	95,5
T° d'air à la sortie °C	26,9	29,8	32,6	35,3	37,6	32,3	35,5	38,7	41,8	44,8	34,7	38,1	41,2	44,3	47,1	44,1	47,5	50,6	53,8	56,8	51,0	54,5	57,9	61,2	64,5	60,1	63,6	67,0	70,4	73,5	78,0	81,8	85,5	89,2	92,6
débit d'eau m3/h	1,6	1,4	1,1	0,9	0,6	3,9	3,4	2,9	2,5	2,0	2,1	1,8	1,6	1,4	1,1	2,6	2,4	2,1	1,9	1,6	3,0	2,8	2,6	2,3	2,1	3,6	3,4	3,1	2,9	2,6	3,1	3,0	2,8	2,6	2,5
baisse de pression kPa	14,3	10,7	7,5	4,8	2,5	68,5	54,1	41,4	30,3	20,9	21,6	17,3	13,5	10,1	7,2	32,1	26,8	22,0	17,7	13,8	40,8	35,1	29,8	24,9	20,5	54,3	47,5	41,3	35,5	30,2	39,2	35,4	31,8	28,4	25,2

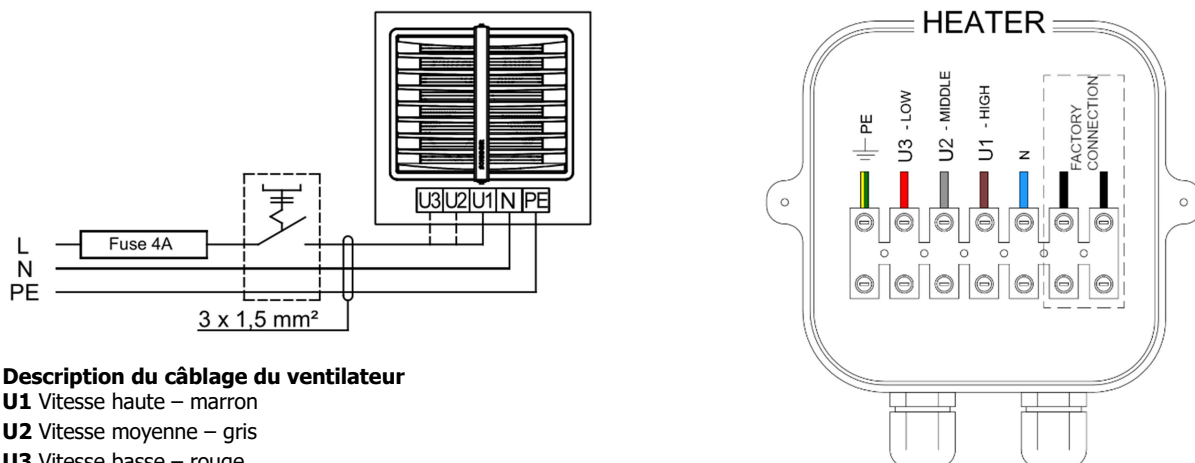
**Débit d'air 3400 m3/h (vitesse 2)**

Puissance thermique kW	32,3	27,4	22,5	17,5	12,1	38,2	33,5	29,0	24,4	19,9	41,4	36,7	32,0	27,3	22,5	52,2	47,2	42,4	37,6	32,9	60,6	55,8	51,0	46,2	41,5	71,5	66,4	61,5	56,6	51,7	92,8	87,7	82,6	77,7
------------------------	------	------	------	------	------	------	------	------	------	------	------	------	------	------	------	------	------	------	------	------	------	------	------	------	------	------	------	------	------	------	------	------	------	------

### 13. SCHÉMAS DE CONNEXION ÉLECTRIQUE

#### 13.1. Connexion du HEATER Condens sans contrôle automatique

\* L'ensemble ne comprend pas d'interrupteur principal, de fusible, de câble d'alimentation

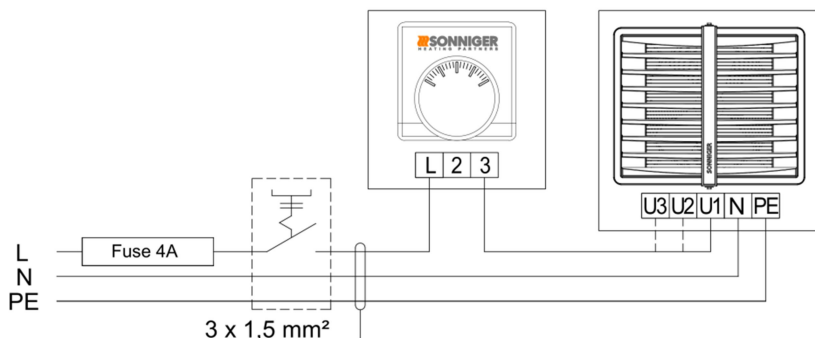


#### Description du câblage du ventilateur

- U1** Vitesse haute – marron
- U2** Vitesse moyenne – gris
- U3** Vitesse basse – rouge
- N** neutre – bleu
- PE** protection - jaune/vert

#### 13.2. Raccordement de plusieurs unités HEATER MIX au panneau TR-010

\* L'ensemble ne comprend pas d'interrupteur principal, de fusible, de câble d'alimentation



#### 13.3. Raccordement de plusieurs unités HEATER CONDENS au panneau COMFORT, vannes et actionneurs

\* L'ensemble ne comprend pas d'interrupteur principal, de fusible, de câble d'alimentation

Un panneau CONFORT peut réguler jusqu'à:

- **6 aérothermes HEATER CONDENS CR ONE**
- **3 aérothermes HEATER CONDENS CR 1,2,3**
- **2 aérothermes HEATER CONDENS MAX**

**HEAT** - le thermostat donne un signal de fonctionnement à l'actionneur et au ventilateur, le ventilateur s'éteint lorsque la température prédéfinie est atteinte, la vanne ferme l'alimentation en eau

**FAN** - fonctionnement du ventilateur de l'appareil en fonction du thermostat, les vannes ne fonctionnent pas

**COOL** - le thermostat donne un signal de fonctionnement à l'actionneur et au ventilateur, l'appareil commence à fonctionner dès lors que la température prédéfinie est atteinte

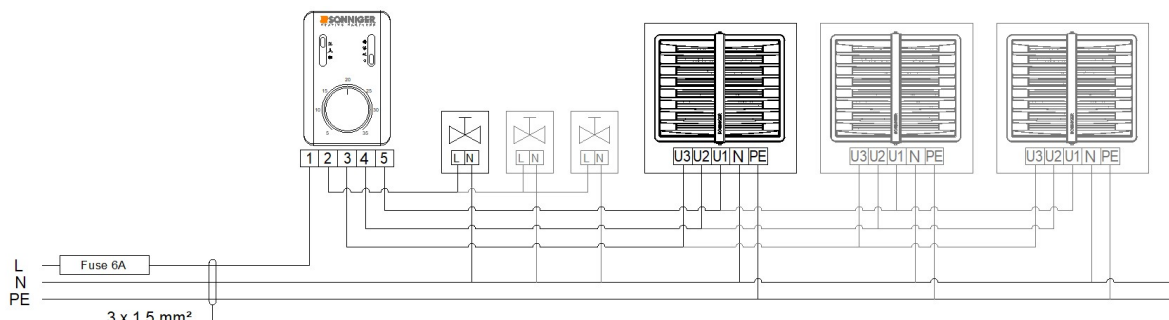
**Attention! Il est possible d'effectuer un changement de la position du cavalier SR1 à SR1 CONST, dans ce cas le ventilateur peut fonctionner indépendamment du thermostat.**

Le fonctionnement thermostatique ne concerne que les vannes. Dans ce cas:

**HEAT** - fonctionnement du ventilateur indépendamment du thermostat, les vannes fonctionnent jusqu'à la température prédéfinie

**FAN** - fonctionnement du ventilateur de l'appareil, le thermostat et les vannes ne fonctionnent pas

**COOL** - fonctionnement du ventilateur indépendamment du thermostat, les vannes fonctionnent à partir de la température prédéfinie



**13.4. Connecter le HEATER CONDENS au panneau INTELLIGENT.**

Le panneau INTELLIGENT contrôle les actionneurs / vannes et régule automatiquement la vitesse des ventilateurs en fonction de la température ambiante requise. La vitesse des ventilateurs change automatiquement pour un valeur inférieure lorsque la température dans une pièce se rapproche de celle souhaitée.

Fonctions supplémentaires - thermostat hebdomadaire, communication GTC disponible.

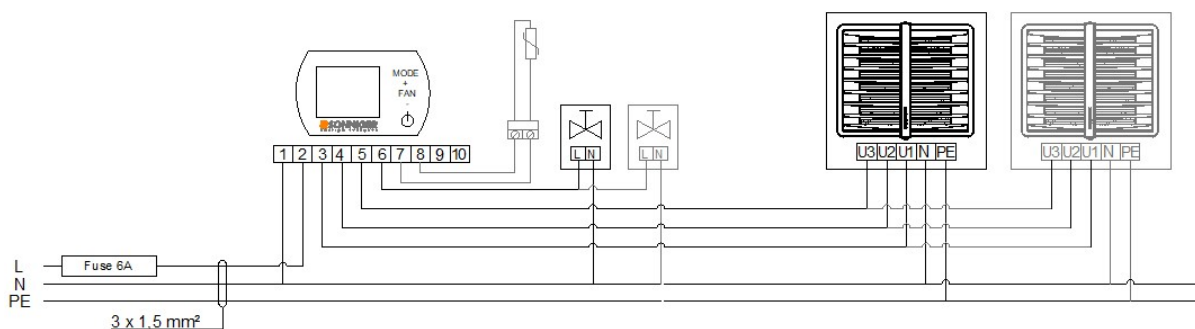
Possibilité de connecter la sonde de température extérieure NTC, fournie avec une longueur de câble de 5 m. La longueur de câble ne doit pas excéder 20 m.

Pour HEATER CONDENS MIX1 et MIX2, vous pouvez utiliser le panneau INTELLIGENT avec capteur NTC et mode de travail COOL.

Un panneau INTELLIGENT peut réguler jusqu'à:

- **4 aérothermes HEATER CONDENS CR ONE**
- **2 aérothermes HEATER CONDENS CR 1,2,3**
- **1 aérotherme HEATER CONDENS CR MAX**

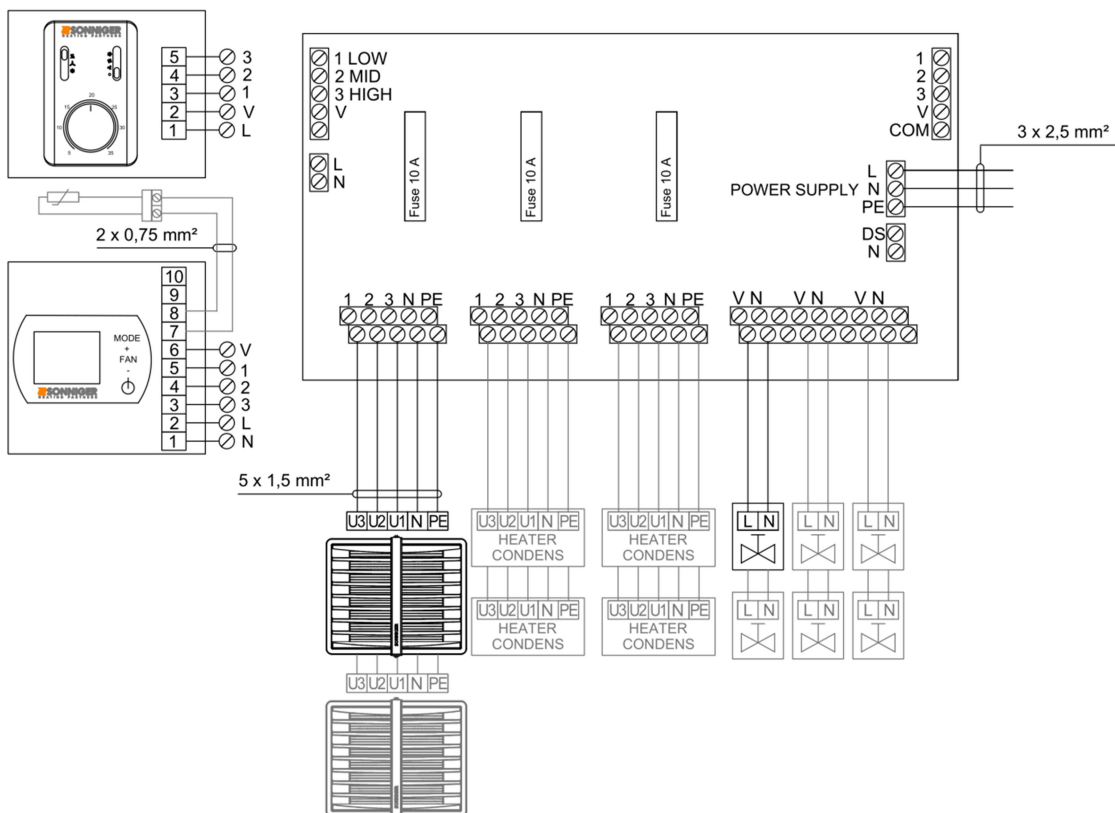
*\*L'ensemble ne comprend pas d'interrupteur principal, de fusible, de câble d'alimentation*



**13.3. Splitter MULTI 6 – permet à un panneau CONFORT ou INTELLIGENT de contrôler jusqu'à 6 aérothermes HEATERS CONDENS / HEATERS CONDENS MAX ou 12 HEATERS CONDENS CR ONE**

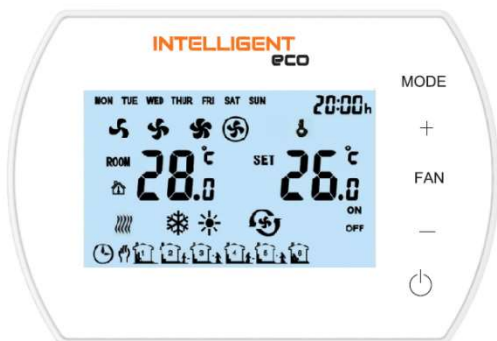
Le répartiteur MULTI 6 permet de connecter et de contrôler plusieurs aérothermes (jusqu'à 6/12 unités) ainsi que leur vannes avec actionneurs (jusqu'à 6/12 unités). Le contrôle des ventilateurs et des vannes se fait à l'aide du panneau CONFORT ou INTELLIGENT.

Pour connecter plus de 6/12 ventilateurs et vannes, il est possible de connecter les répartiteurs MULTI 6 entre eux (jusqu'à 10 répartiteurs MULTI 6 maximum). Dans ce cas, dans le premier répartiteur MULTI 6, le connecteur DS-N doit être laissé ouvert, dans les autres répartiteurs MULTI 6 (2..10) le connecteur DS-N doit être fermé.



14. PANNEAU INTELLIGENT WIFI - manuel du contrôleur programmable

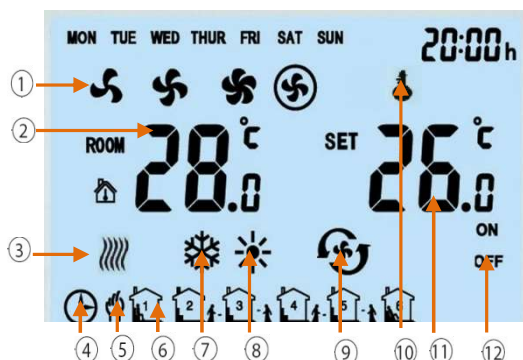
Le panneau INTELLIGENT WIFI contrôle les actionneurs / vannes et régule automatiquement la vitesse du ventilateur en fonction de la température ambiante requise. Plus la température de la pièce est basse, plus le débit d'air est élevé. La vitesse des ventilateurs change automatiquement pour un régime plus bas lorsque la température dans une pièce se rapproche de celle programmée. Le panneau INTELLIGENT WIFI permet de gérer les activités de l'appareil via l'application mobile TUYA SMART.



**Fonctions**

- Le panneau INTELLIGENT est conçu pour fonctionner avec les produits SONNIGER
- Thermostat hebdomadaire ( 5/1/1 jours)
- Réglage automatique ou manuel de la vitesse du ventilateur
- Contrôler la température ambiante (en ouvrant / fermant la vanne ou en ajustant automatiquement le débit d'air).
- Mode antigel - protection contre la chute de la température ambiante en dessous du niveau critique +5 ~ 15 °C.
- Possibilité de connecter une sonde de température NTC externe.
- Communication GTC par protocole MODBUS
- Contrôle sans fil via l'application TUYA SMART
- Retour de contact sec

**Description du panneau**



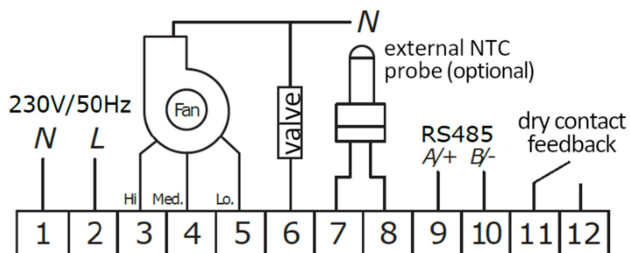
1. Vitesse du ventilateur: BASSE, MOYENNE, HAUTE et AUTO
2. T°C ambiante ou T°C du capteur externe NTC (température mesurée)
3. Indication antigel
4. Mode programmable automatique
5. Mode manuel
6. 6 plages horaires pour chaque jour
7. Mode refroidissement
8. Mode chauffage
9. Mode ventilation
10. Verrouillage du panneau
11. T°C ambiante souhaitée
12. MARCHE/ARRÊT des plages horaires



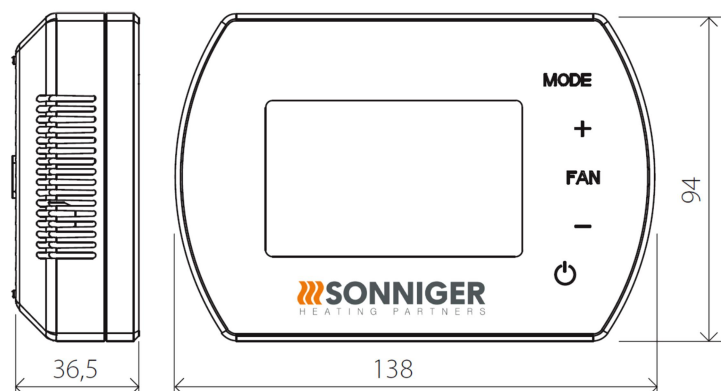
- 13 MODE Appuyez brièvement pour sélectionner le mode manuel ou automatique Appuyez pendant 3 sec et sélectionnez le mode refroidissement, chauffage ou ventilation
- 14 FAN Appuyez brièvement et sélectionnez la vitesse du ventilateur: Basse, Moyenne, Haute ou Auto
- 15 Marche/Arrêt du panneau INTELLIGENT

**Paramètres techniques**

1	Alimentation	230VAC/50Hz
2	Plage de réglage de la température	5°C 40°C
3	Plage de service max	-10°C 60°C
4	Indice de protection IP	20
5	Capteur de température	Interne / externe NTC (optionel)



## Dimensions



## Menu des paramètres

Lorsque le panneau INTELLIGENT est éteint, maintenez le bouton MODE enfoncé pendant 5 secondes

Pour changer d'option, utilisez le bouton MODE.

Pour changer la valeur, utilisez les boutons +/-

Setting menu	Option	Value
1	Calibrage de température	-9°C ~ +9°C
2	EEPROM	0: no mémoire 1: mémoire
3	Etat du ventilateur	C1: mode thermostatique C2: mode continu
4	Capteur de température	0: Capteur interne 1: Capteur externe NTC (optionel)
5	Antigel	0: Off 1: On
6	Plage de T°C antigel	+5°C ~ +15°C
7	ALARME	0: désactivé 1: activé
8	Contact sec	0: NO 1: NC
9	MODBUS	0: désactivé 1: activé
10	Vitesse signal GTC	0-2400 / 1-9600 / 2-19200
11	Modbus ID	1~247 (01~F7)

## Bouton verrouillage / déverrouillage

Pour verrouiller, appuyez et maintenez + et ensuite - puis maintenez-les enfoncés pendant 5 secondes.

Pour déverrouiller, appuyez et maintenez + et ensuite - puis maintenez-les enfoncés pendant 5 secondes.

## Appuyez sur le bouton MODE

Changez en mode manuel  ou en mode automatique 

## Maintenez le bouton MODE pendant 5 secondes

Changez en mode refroidissement , chauffage , ventilation 








## Appuyez sur le bouton FAN

Changement de vitesse du ventilateur : faible , moyenne , haute , automatique 

## Maintenez le bouton FAN pendant 5 secondes

Programmation manuelle du calendrier Lundi – Vendredi, Samedi, Dimanche. 6 réglages par jour

## Fonctions GTC

-  Réglage / lecture des paramètres de travail
-  Conditions Marche/Arrêt
-  Programme hebdomadaire
-  Température
-  Vitesse du ventilateur
-  Mode chauffage, ventilation, refroidissement
-  Mode antigel

## NOTICE D'UTILISATION ET DE MAINTENANCE HEATER CONDENS v202301

No.	Réglage	Paramètres
1	Mode de fonctionnement	RS485 semi-duplex; Le PC ou le contrôleur principal est maître; le thermostat est esclave
2	Interface	A(+),B(-), 2 fils
3	Rapidité de modulation	0-2400 / 1-9600 / 2-19200
4	Bits	9 bits au total: 8 data bit + 1 stop bit
5	Modbus	RTU Mode
6	Transmission	Format RTU (Remote Terminal Unit) se référer aux instructions MOBUS
7	Adresse du thermostat	1-247 ; (0 est l'adresse de diffusion et représente tous les thermostats sans réponse)

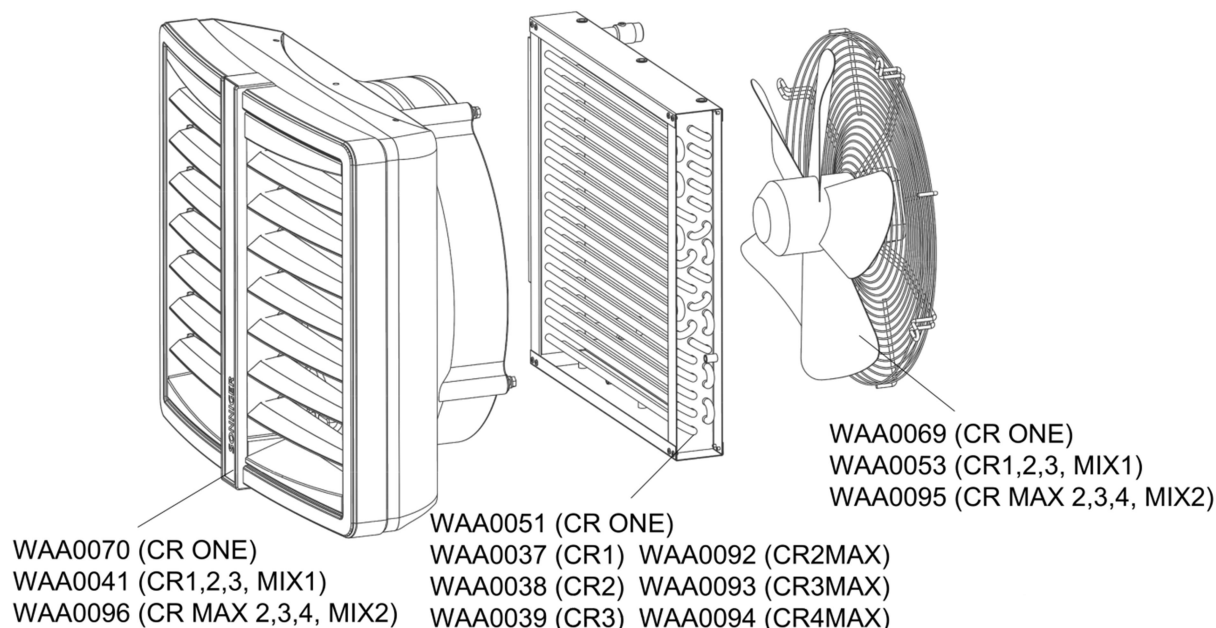
### Fonctions WIFI

- 🔧 Réglage/lecture des paramètres de travail
- 🔧 Conditions de travail/d'arrêt
- 🔧 Programme hebdomadaire
- 🔧 Température
- 🔧 Vitesse du ventilateur
- 🔧 Mode chauffage, ventilation, refroidissement

### CONNEXION DU PANNEAU WIFI INTELLIGENT AVEC L'APPLICATION TUYA

1. Télécharger l'application Tuya Smart (disponible sur App Store et Google Play)
2. Connecter le panneau de contrôle à l'alimentation et à l'appareil. Le panneau INTELLIGENT doit rester éteint.
3. Ouvrir l'application Tuya et suivez les instructions
4. Pour procéder à la connexion, activer le GPS et le Bluetooth sur le téléphone
5. Pour activer le mode d'appairage dans le panneau INTELLIGENT, appuyer 2 fois et maintenez le symbole "+" enfoncé pendant 5 secondes jusqu'à ce que le symbole "SA" apparaisse sur le côté gauche de l'écran.
6. Choisir la fonction "Add device" pour que l'application trouve automatiquement le panneau de contrôle. Appuyer sur le bouton "Add" et, après avoir terminé le processus de configuration, appuyer sur "Next" et "Finished".
7. En l'absence de la fonction "Add", sélectionner l'onglet "Small devices" et la fonction "Thermostat (Wi-fi)". Ensuite, entrer les données pour se connecter au réseau Wi-Fi sélectionné, confirmer et "Blink slowly".
8. Un écran s'affiche avec des informations pour rechercher un appareil. Après avoir détecté le pilote, le processus de connexion est automatique. Après avoir terminé le processus de configuration, appuyer sur "Next" et "Finished".

### PIÈCES DE RECHANGE



### CONFORMITÉ À LA RÉGLEMENTATION WEEE 2012/19 / EU

Conformément aux réglementations légales applicables, au moment de l'achat d'un nouvel équipement électrique ou électronique avec la marque suivante:



**RAPPELEZ-VOUS QU'IL EST INTERDIT DE JETER L'ÉQUIPEMENT USAGÉ AVEC D'AUTRES DÉCHETS**  
 Pour plus d'informations sur le système de collecte des déchets d'équipements électriques et électroniques, veuillez contacter votre distributeur.

**CONDITIONS GÉNÉRALES DE GARANTIE**

**§ 1 Portée de la garantie**

1. La Garantie couvre les défauts matériels de l'appareil qui rendent son fonctionnement impossible. Cette garantie ne s'étend pas aux travaux d'installation et d'entretien.
2. La Garantie du produit vendu par le Vendeur couvre une période de 24 mois. La période de garantie commence à la livraison de l'appareil à l'Acheteur spécifié dans la facture de vente. La garantie couvre toutes les pièces / composants spécifiés dans le cadre de la livraison.
3. Les produits livrés par des tiers ne sont pas garantis par ce fournisseur.
4. Les appareils ne peuvent être démarrés et réparés que par des personnes qualifiées formées dans les domaines de la maintenance et de l'utilisation de l'appareil. Toutes les opérations liées au démarrage, à la maintenance et aux réparations doivent être notifiées sur la carte de garantie.
5. La condition préalable à l'émission de la garantie par le fabricant est l'assemblage et l'activation de l'appareil conformément à la documentation d'utilisation et d'entretien au plus tard 6 mois après la date d'achat.
6. Le produit est garanti pour une période de garantie totale uniquement si les travaux de service décrits dans la Notice d'Utilisation et de Maintenance de l'appareil et spécifié dans la section «Maintenance» sont effectués. Tous les services liés à la maintenance de l'appareil sont effectués aux frais de l'Utilisateur
7. La fourniture de services de garantie ne cesse ni ne suspend la durée de la garantie. La garantie des pièces / éléments de remplacement ou de réparation prend fin avec l'expiration de la garantie de l'appareil.

**§ 2 Non-responsabilités / exclusions de garantie**

1. La garantie ne s'étend pas aux dommages mécaniques et aux dommages des pièces électriques causés par une mauvaise utilisation, un transport, une tension anormale ou d'autres dommages résultant d'un défaut du produit. Pour les raisons ci-dessus, la garantie est uniquement limitée au remplacement des pièces / composants présentant des défauts de construction qui seront livrés sans frais supplémentaires uniquement si la pièce / composant défectueux a été retourné.
2. La garantie pour les appareils ne s'applique pas lorsque des erreurs techniques se sont produites lors des procédures d'installation, de régulation et de contrôle, y compris:
  - a) Les défauts causés par la connexion d'un appareil au système de ventilation conçue de manière inappropriée qui permet des charges thermiques supplémentaires qui ne répondent à aucune norme et diminuent l'efficacité de l'échangeur de chaleur.
  - b) Les défauts causés par la connexion aux composants ou pièces qui font partie du système de chauffage mais qui n'ont pas été livrés par le vendeur et dont le fonctionnement inapproprié a un impact négatif sur le fonctionnement de l'appareil.
  - c) Les défauts causés par la connexion de pièces de rechange aux composants qui ne sont pas des pièces d'origine.
  - d) Les défauts occasionnés par la revente du produit par le premier acheteur / utilisateur à un autre acheteur qui démonte / installe l'appareil qui était précédemment installé et exploité dans un bâtiment spécifique avec ses conditions.
  - e) Les défauts causés par une mauvaise expertise et une connaissance insuffisante de l'installateur et du personnel technique qui, de manière inappropriée, effectuent le service après-vente de l'appareil
  - f) Les défauts causés par des conditions d'utilisation particulières qui diffèrent des applications habituelles / standards, sauf si les parties (le vendeur et le personnel technique du client) en ont préalablement convenu autrement par écrit.
  - g) Les défauts résultant de catastrophes naturelles telles que les incendies, les explosions et autres incidents pouvant entraîner des dommages aux dispositifs mécaniques, électriques et de protection.
  - h) Les défauts causés par un nettoyage inapproprié de l'installation technique ou du lieu où l'appareil a été installé; le nettoyage doit avoir lieu périodiquement en fonction des conditions de travail spécifiques et de la quantité de poussière.
  - i) Défauts résultant de l'absence ou d'un mauvais nettoyage des échangeurs de chaleur; le nettoyage doit être effectué périodiquement en fonction des conditions de travail spécifiques et de la quantité de poussière.
  - j) Les défauts causés par une installation inappropriée qui n'est pas en adéquation avec une température extérieure basse des conditions de travail.
  - k) Les défauts occasionnés par la basse température si aucun dispositif de protection n'est installé par l'installateur pour éviter :
    - les basses températures sur les pièces électriques et mécaniques telles que les robinets, les dispositifs de contrôle électriques et électroniques,
    - la condensation d'eau et le givre / glace à proximité de l'appareil,
    - le choc thermique du chauffage et de l'échangeur de chaleur causé par des changements brutaux de température extérieure.

**§ 3. SONNIGER Poland n'est pas tenue responsable**

1. Des travaux de maintenance en cours, des inspections en fonction de la Notice d'Utilisation et de Maintenance et la programmation des appareils.
2. Les défauts causés par le stockage d'un appareil en attendant le service de garantie.
3. Tous les défauts causés à la propriété de la société.



**§ 4. Procédure de réclamation**

1. En cas de réclamation dans les conditions de garantie, l'utilisateur peut déposer une réclamation directement auprès du distributeur.
2. Toutes les réparations couvertes par la garantie doivent être effectuées dans le cadre de l'activité d'une entreprise d'installation et d'un Service Usine. Toutes les réparations découlant de la garantie doivent être effectuées dans un endroit où l'appareil est installé.
3. Tous les services compris dans le cadre de la garantie doivent être effectués dans les 14 jours à compter de la date de la demande. Dans des cas exceptionnels, le délai peut être prolongé, notamment si le service de garantie nécessite la commande de pièces ou de composants auprès de sous-traitants.
4. L'utilisateur en ce qui concerne les activités de service est tenu de:
  - Permettre d'avoir un accès complet aux locaux où les appareils ont été installés et prévoir les installations nécessaires permettant un accès direct à l'appareil (ascenseur, échafaudage, etc.) afin d'assurer tous les services couverts par la garantie.
  - Présenter l'original de la carte de garantie et la facture TVA afin de constater l'achat
  - Assurer la sécurité lors de l'entretien,
  - Permettre de démarrer les travaux immédiatement après l'arrivée du Service.
5. Pour déposer une réclamation sous garantie, il est nécessaire de livrer à l'adresse du Distributeur les documents suivants :
  - a) le formulaire de réclamation correctement rempli et disponible sur le site Internet de [www.sonniger.com](http://www.sonniger.com)
  - b) la copie de la carte de garantie
  - c) la copie de la preuve d'achat - la facture de vente
6. Le service de réparation, y compris le remplacement des pièces, ne sera effectué gratuitement que si le représentant de l'installateur ou du service confirme que le défaut ou le dysfonctionnement de l'appareil est dû à la faute du fabricant.
7. Tous les frais (frais de réparation, de déplacement et des composants échangés) entraînés par une plainte injustifiée, en particulier dans le cas où le représentant de l'entrepreneur chargé de l'installation du service de réparation en usine prétend que le défaut / dommage a été causé à la suite d'une violation des directives fournies dans la documentation d'exploitation et de maintenance ou les avis d'exclusions au titre du §2 (exclusions de garantie) seront réclamés à l'acheteur / client qui a signalé l'échec.
8. Le demandeur est tenu de donner une confirmation écrite du service fourni.
9. Sonniger Poland est en droit de refuser le service de garantie si Sonniger Poland n'a pas reçu le paiement intégral du produit faisant l'objet de la réclamation au titre de la garantie ou de toute activité de service antérieure.

**CARTE DE GARANTIE**

EMPLACEMENT.....

Modèle de l'appareil .....

Numéro de série .....

Date d'achat .....

Date d'activation de l'appareil.....

**Coordonnées de la société d'installation**

Personne ayant activé l'appareil:.....

Nom de la société .....

.....

Adresse:.....

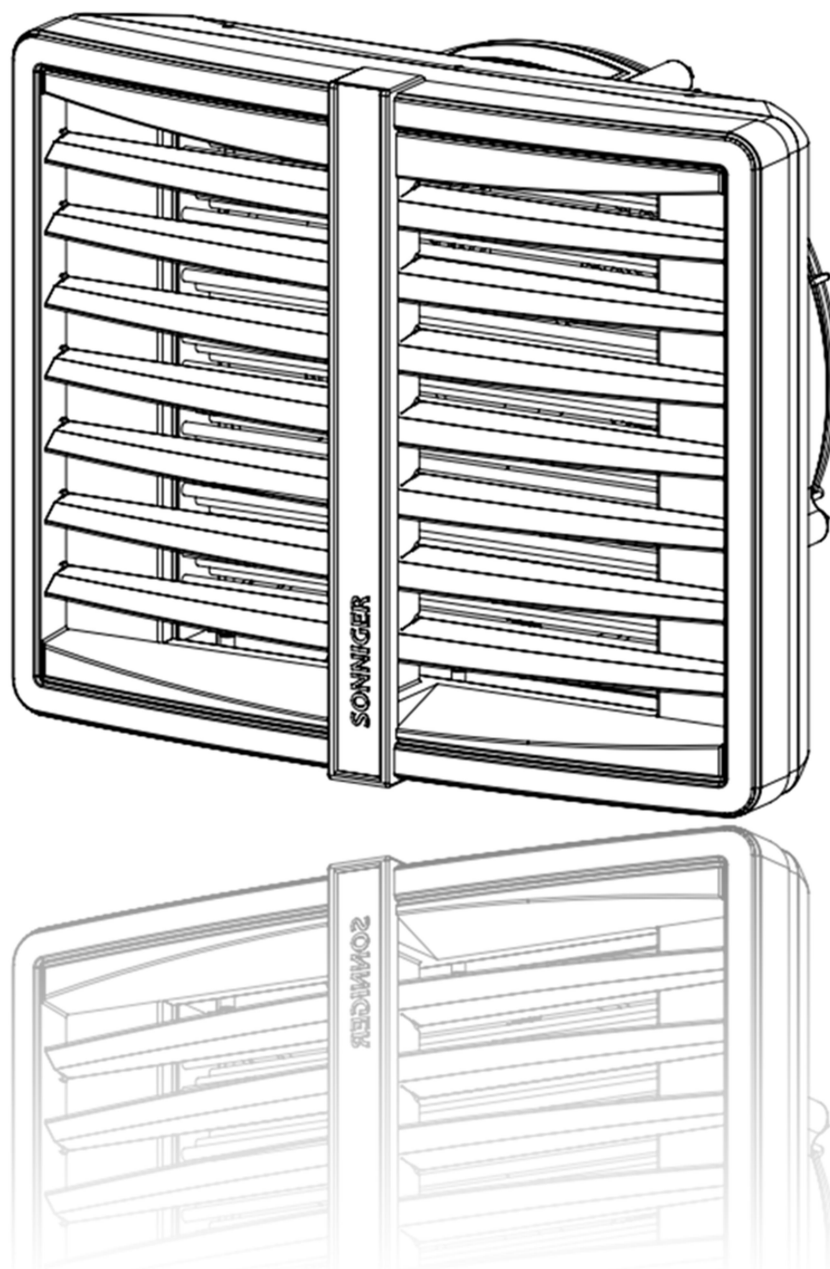
Téléphone.....

Signature de la personne ayant activé l'appareil .....:

**Enregistrement des tâches de maintenance et de réparations :**

Date	Descriptions de la maintenance ou réparation effectuée	Cachet et signature de l'entreprise d'installation

## HEATER CONDENS documentación técnica y operativa



---

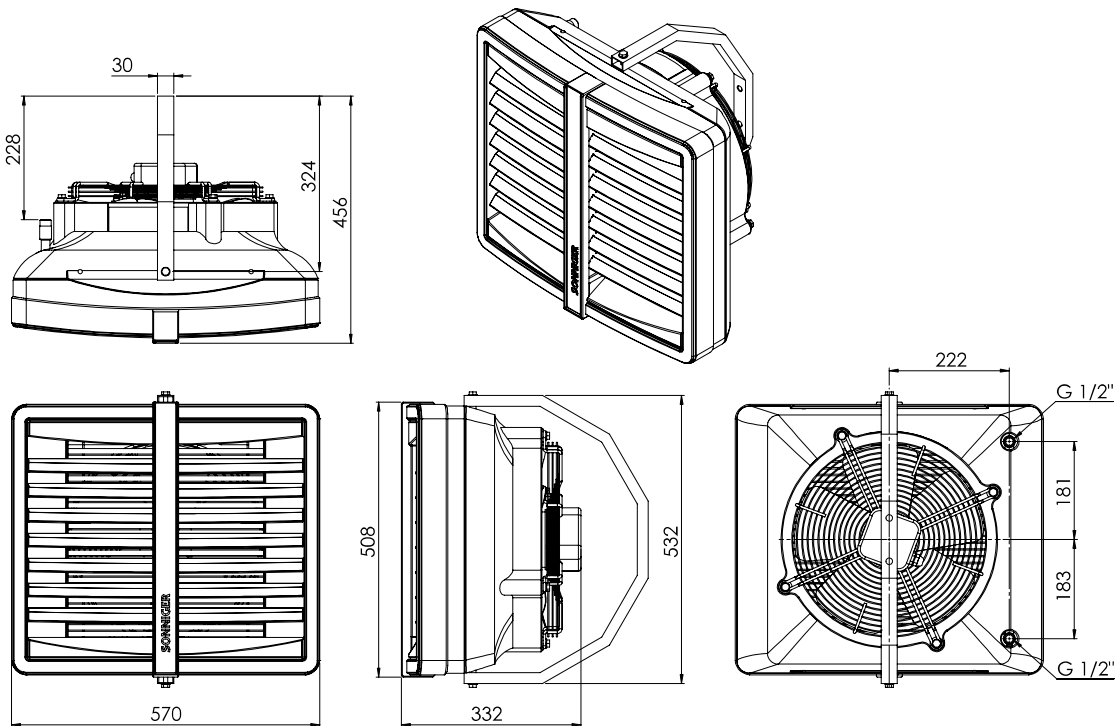
### SONNIGER SA

Ul. Śląska 35/37, 81-310 Gdynia, Polonia, línea directa 801 055 155, teléfono: + 48 58 785 34 80, [www.sonniger.com](http://www.sonniger.com)  
Tribunal de Primera Instancia Gdańsk-Norte, VIII Sala de lo Comercial del Registro Nacional Judicial, KRS 0000966611,  
NIF 586 227 35 14 Regon 22154369 capital social: 1.655.000 PLN

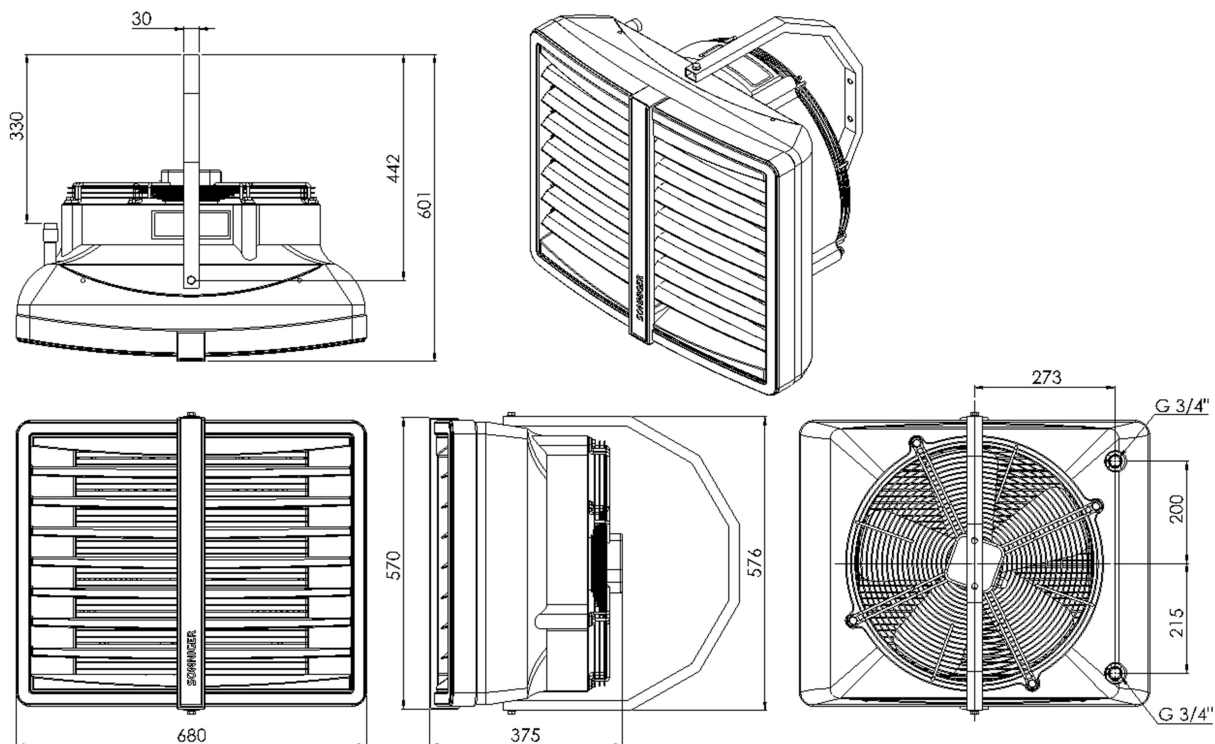
**1. USO PREVISTO**

Los aerotermos (caloventiladores) HEATER CONDENS están diseñados para la calefacción de edificios industriales y de grandes superficies, en particular: naves de producción y almacenes, salas de exposición de automóviles y talleres, pabellones deportivos y de eventos, edificios sagrados, iglesias, tiendas y mayoristas, instalaciones agrícolas, zonas de exposición. HEATER CONDENS es una línea de aerotermos (caloventiladores) de agua que pueden trabajar a baja temperatura (calderas de condensación, bombas de calor). Las principales ventajas de HEATER CONDENS son: alta temperatura del aire suministrado a baja temperatura del medio calefactor, máximo aprovechamiento de la superficie de calentamiento del intercambiador, así como la nueva geometría "densificada" del intercambiador y caudal de aire optimizado, que permite alcanzar una alta temperatura de suministro en todas las etapas de funcionamiento del dispositivo.

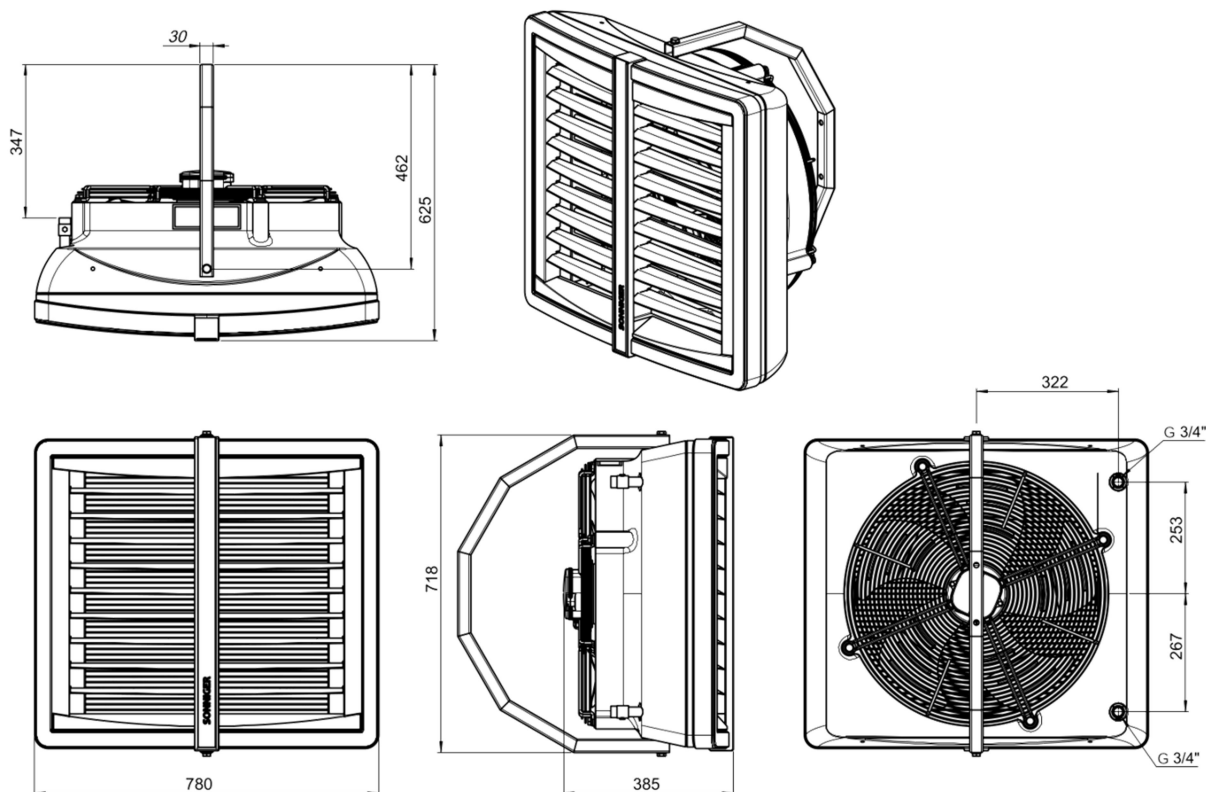
**2. CONSTRUCCIÓN, DIMENSIONES, PARÁMETROS TÉCNICOS BÁSICOS DEL HEATER CONDENS CR ONE**



**CONSTRUCCIÓN, DIMENSIONES, PARÁMETROS TÉCNICOS BÁSICOS DEL HEATER CONDENS CR1, CR2, CR3, DESESTRATIFICADOR MIX 1**



**CONSTRUCCIÓN, DIMENSIONES, PARÁMETROS TÉCNICOS BÁSICOS DEL HEATERCONDENS CR2 MAX, CR3 MAX, CR4 MAX, DESESTRATIFICADOR MIX2**



**Elementos básicos del dispositivo HEATER CONDENS**

- ▮ carcasa de polipropileno expandido EPP
- ▮ rejillas ajustables,
- ▮ ventilador axial de 3 velocidades con diámetros de 350 mm, 450 mm y 550 mm,
- ▮ protección contra el acceso directo a elementos giratorios,
- ▮ intercambiador de calor que está hecho de tubos de cobre colocados en un bloque de láminas de aluminio con boquillas de suministro de cobre de 1/2" o 3/4"; las boquillas de suministro están equipadas con tapones que permiten la ventilación y el drenaje del medio calefactor.

PARÁMETROS TÉCNICOS	HEATER CONDENS								DESESTRATIFICADOR	
	CR ONE	CR1	CR2	CR3	CR2 MAX	CR3 MAX	CR4 MAX	MIX 1	MIX 2	
potencia de calefacción recomendada*	kW	5-25	10-35	15-50	20-70	25-70	35-95	40-120	-	-
potencia de calefacción (90/70 °C)/aumento de la temperatura del aire ΔT**	kW/°C	19 kW/35 °C	23 kW/18 °C	39 kW/33 °C	50 kW/48 °C	55 kW/30 °C	74 kW/49 °C	94 kW /60 °C	-	-
potencia de calefacción (70/50 °C)/aumento de la temperatura del aire ΔT**	kW/°C	13 kW/25 °C	16 kW/13 °C	26 kW/22 °C	35 kW/34 °C	40 kW/22 °C	53 kW/35 °C	68 kW/44 °C	-	-
potencia de calefacción (50/30 °C)/aumento de la temperatura del aire ΔT**	kW/°C	7 kW/15 °C	9 kW/8 °C	13 kW/11 °C	20 kW/20 °C	25 kW/14 °C	32 kW/21 °C	42 kW/27 °C	-	-
salida máxima de aire (velocidad III)	m <sup>3</sup> /h	1.600	3.900	3.350	2.950	5.700	5.600	5.100	4.800	7.200
nivel de ruido (velocidades I/II/III)****	dB (A)	35/46/52	44/52/62	41/50/60	39/48/60	41/50/59	40/48/58	40/48/58	36/44/54	31/42/49
número de filas del calentador		2	1	2	3	2	3	3	-	-
presión máxima de trabajo	MPa	1,6		1,6			1,6		-	-
alcance máximo del flujo del aire*****	m	14	24	21	19	26	25	23	13***	16***
diámetro de las boquillas	"	1/2"		3/4"			3/4"		-	-
Tensión de alimentación y consumo del motor	V/Hz/A	230/50 0,58 A		230/50 1,08 A			230/50 2,2 A		230/50 1,08 A	230/50 2,2 A
potencia del motor	W	124		250			520		250	520
revoluciones del motor	r/min	1400		1350			1380		1350	1380
clase de protección IP del motor		IP 54		IP 54			IP 54		IP 54	
peso del dispositivo sin/con agua	kg	9,6/10,7	10,8/11,9	12,7/14,8	14,5/16,9	23,6/25,2	25,2/27,4	25,5/28	9,2	15,8

\* Potencia de calefacción para una temperatura del medio calefactor de 50/30-120/90 °C, una temperatura del aire de entrada de 0 °C y la velocidad III del ventilador.

\*\* Para una temperatura de entrada de aire de 0 °C.

\*\*\* Altura máxima de instalación para un flujo del aire vertical a una velocidad límite de 0,5 m/s.

\*\*\*\* Medido a una distancia de unos 5 m del dispositivo.

\*\*\*\*\* Alcance horizontal del flujo isotérmico a una velocidad límite de 0,5 m/s.

### 3. INFORMACIÓN GENERAL

Los dispositivos de calefacción y ventilación HEATER CONDENS se fabrican siguiendo los más elevados estándares y normas de calidad, protección del medio ambiente, funcionalidad y comodidad de uso. Los dispositivos HEATER CONDENS se entregan listos para el uso en una caja de cartón que los protege contra daños mecánicos. La caja incluye el dispositivo y el Manual del Usuario (Documentación de Operación y Mantenimiento) con una Tarjeta de Garantía. La unidad de control automático opcional se entrega en un paquete separado. Asegúrese inmediatamente después de la entrega de que todos los elementos antes mencionados estén en el paquete. A falta de algún elemento, complete el informe proporcionado por el transportista.

#### ¡NOTA!

- ❶ Antes de instalar el dispositivo, lea atentamente el Manual del Usuario y siga todas las instrucciones de instalación. Su inobservancia puede resultar en el funcionamiento incorrecto del dispositivo y la pérdida de la garantía.
- ❶ Preste especial atención cuando manipule elementos eléctricos del dispositivo.
- ❶ Todos los trabajos de instalación deben ser realizados por personas debidamente calificadas y autorizadas.

### 4. INSTALACIÓN

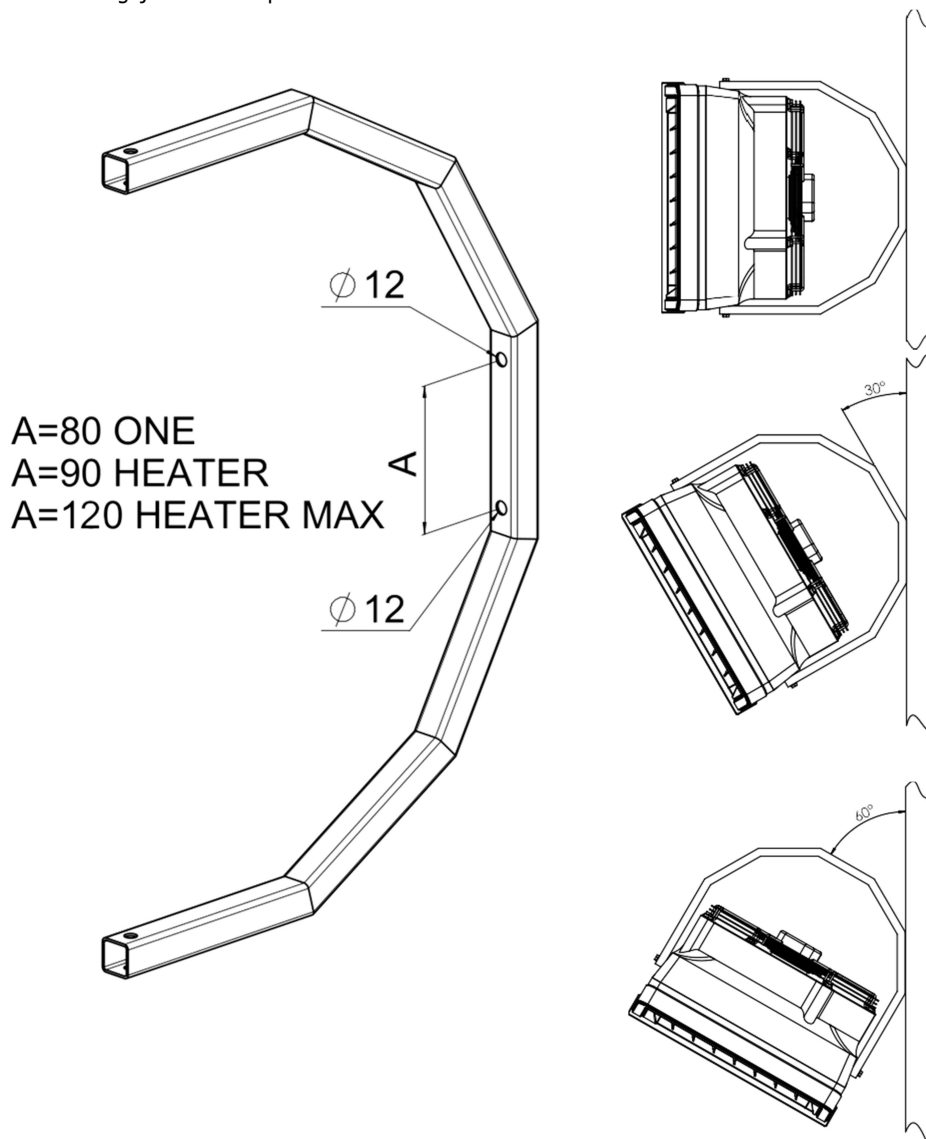
Al decidir la posición del dispositivo, hay que tener en cuenta lo siguiente: la facilidad de acceso para mantenimiento, el acceso a sistemas de agua y electricidad y la distribución adecuada del aire en la sala donde se instala el dispositivo.

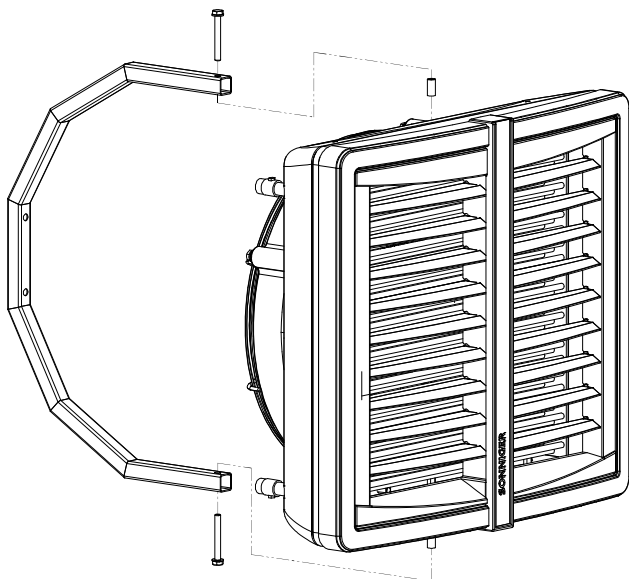
Cada dispositivo HEATER CONDENS está equipado con un juego de 2 inserciones reemplazables de colores. El color de las inserciones se puede cambiar removiendo la inserción del panel frontal del dispositivo y colocando una nueva inserción en el mismo lugar.

Se recomienda instalar el dispositivo en la pared o debajo del techo usando consolas de montaje suministradas por el fabricante, pasadores portantes (no incluidos) o estructuras de soporte (las formas y dimensiones de las estructuras de soporte pueden ser diseñadas individualmente de acuerdo con los requisitos de resistencia). En el caso de instalación bajo el techo, hay que tener en cuenta que la evacuación del aire del dispositivo puede resultar difícil, por tanto, se recomienda realizarla en el punto más alto de la tubería.

El dispositivo puede ser instalado en la pared usando una consola de montaje con un ángulo de 0°, 30° o 60°.

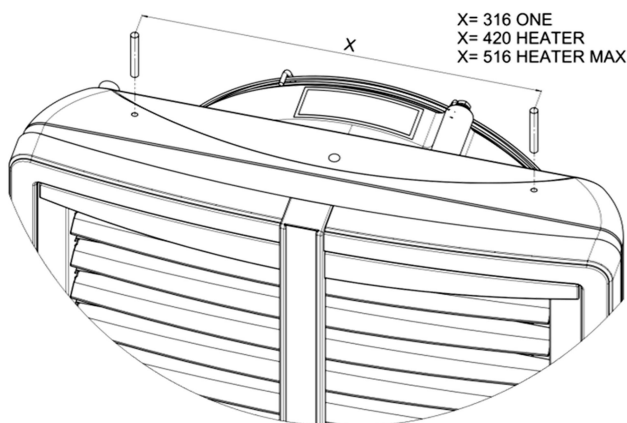
El soporte de la consola de montaje constituye un perfil curvado. Tiene dos agujeros para instalar el calentador en la pared en posición horizontal. La instalación en la pared y/o en el techo también es posible con un ángulo diferente, sin embargo esto requiere que se taladren agujeros en el soporte.





### Fijación de la consola al calentador

La consola de montaje incluye: un soporte, dos manguitos y dos tornillos M8 con arandelas. Para instalar la consola, perfora dos agujeros con diámetro de 12-13 mm en la cubierta trasera como se muestra en la figura. La ubicación de los agujeros está especialmente marcada en la carcasa. Inserte los manguitos en los agujeros preparados y luego monta la consola. El soporte debe atornillarse con los tornillos M8 con arandelas (incluidos en el conjunto suministrado).



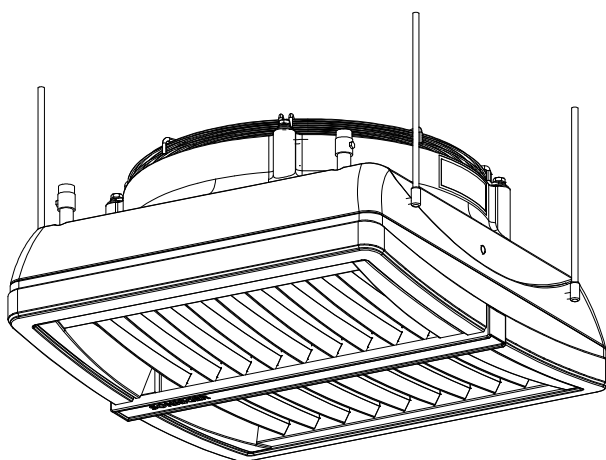
X= 316 ONE  
X= 420 HEATER  
X= 516 HEATER MAX

### Instalación de pasadores

Es posible instalar el calentador bajo el techo utilizando pasadores de montaje M8. Para ello, taladre dos agujeros con diámetro de 8-9 mm. La ubicación de los pasadores está especialmente marcada en la carcasa. Los pasadores pueden penetrar en el marco del intercambiador hasta una profundidad máxima de 20 mm.

### NOTA:

ⓘ Tenga cuidado taladrando agujeros en los puntos marcados. ¡Hay riesgo de perforar el intercambiador!



### Instalación del desestratificador HEATER MIX 1/MIX 2

Para instalar el desestratificador HEATER MIX debajo del techo, use pasadores de montaje M8. Para ello, taladre cuatro agujeros con diámetro de 8-9 mm. La ubicación de los pasadores está especialmente marcada en la carcasa. Los pasadores se pueden penetrar en el marco del intercambiador hasta una profundidad máxima de 20 mm. Los pasadores de montaje y los elementos de conexión no están incluidos en el conjunto suministrado.

### NOTA:

ⓘ Hay que mantener espacios libres apropiados alrededor del calentador: 200 mm de la parte lateral del dispositivo y 300 mm de la parte trasera (del ventilador)

## 5. INSTALACIÓN ELÉCTRICA

La instalación eléctrica y la conexión a la fuente de alimentación deben realizarse de acuerdo con los reglamentos y normas aplicables en la industria de construcción.

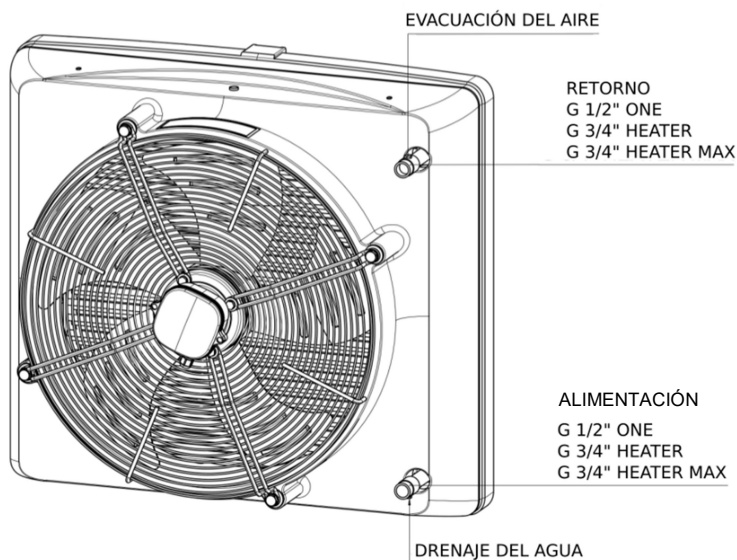
El motor del ventilador cuenta con protección térmica interna contra el sobrecalentamiento. El conjunto no incluye cable de alimentación ni interruptor principal (véanse los esquemas).

La conexión eléctrica debe ser realizada por una persona cualificada y familiarizada con el presente manual de instrucciones. La conexión del cable de alimentación y el interruptor principal debe realizarse de acuerdo con el esquema eléctrico (con o sin la unidad de control automático, dependiendo de la versión del dispositivo). Los daños debidos a las causas mencionadas no están cubiertos por la garantía y el coste de sustitución del calentador correrá a cargo del usuario. La unidad de control automático debe conectarse de acuerdo con el esquema eléctrico.

En caso de cualquier problema o duda, desconecte el dispositivo de la fuente de alimentación y póngase en contacto con el instalador del dispositivo o directamente con un Centro de Servicio Autorizado de SONNIGER.

## 6. INSTALACIÓN DE AGUA

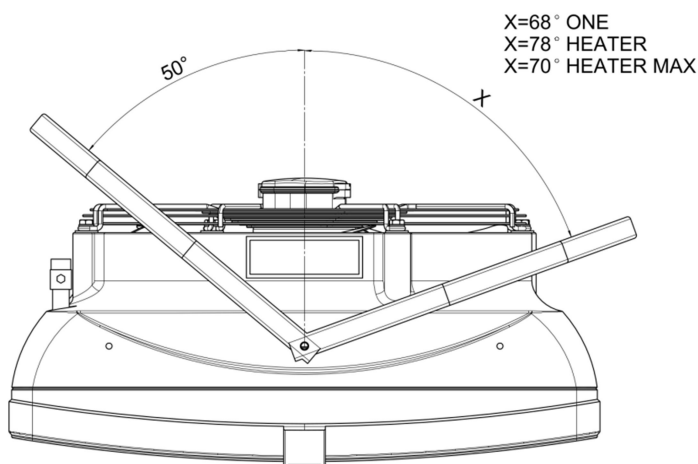
El calentador debe conectarse de manera que garantice la posibilidad de realizar trabajos de mantenimiento. Para hacer posible la desconexión del dispositivo, hay que instalar válvulas de cierre manual en ambas boquillas. Los cables de alimentación de los calentadores deben conectarse de acuerdo con las marcas en la carcasa del dispositivo (entrada/salida). Si se utiliza una válvula electromagnética (opción disponible con la unidad de control automático), hay que conectarla en la salida de agua del dispositivo, de lo contrario podrá dañarse



### Conexión a la fuente del medio calefactor.

Las boquillas están ubicadas en la parte trasera del dispositivo. Al conectar las tuberías hidráulicas, las boquillas deben protegerse contra torsión. Tampoco está permitido cargar las boquillas con el peso de las tuberías.

El drenaje del medio calefactor se encuentra en la boquilla de alimentación, mientras que la salida de aire está en la boquilla de retorno.



El calentador se puede girar horizontalmente en relación con la consola de montaje. Para ello, deben utilizarse tuberías hidráulicas flexibles. La rotación máxima del calentador con respecto a la consola es de 70° para HEATER CONDENS MAX, 78° para HEATER CONDENS CR1,2,3 y 68° para HEATER CONDENS ONE, en ambos sentidos, siempre que las tuberías hidráulicas lo permitan. La figura muestra el ángulo máximo en una dirección y el ángulo de 50° en la otra, con espacio suficiente para conectar boquillas.



## 7. PANEL DE CONTROL

El dispositivo puede equiparse con una unidad de control automático (alimentación de 230 V), que incluye:

- ☛ Panel de control COMFORT NEW equipado con un termostato de ambiente manual con un interruptor de 3 velocidades de rotación. Un panel de control COMFORT NEW puede controlar hasta 6 dispositivos HEATER CONDENS ONE, hasta 3 dispositivos HEATER CONDENS y hasta 2 dispositivos HEATER CONDENS MAX.
- ☛ Válvula de agua de dos vías con actuador. La válvula debe instalarse en la boquilla de retorno del calentador.
- ☛ Panel de control electrónico INTELLIGENT que permite el ajuste automático de la velocidad de rotación en función de la temperatura ambiente y cuenta con un programador semanal. Es posible la comunicación con el sistema BMS. Un panel de control puede controlar hasta 2 dispositivos HEATER CONDENS o 1 dispositivo HEATER CONDENS MAX.
- ☛ Separador de señal MULTI 6 que permite controlar hasta 6 dispositivos HEATER CONDENS o HEATER CONDENS MAX o hasta 12 dispositivos HEATER CONDENS CR ONE desde un panel COMFORT NEW o INTELLIGENT.

Después de conectar el termostato y el actuador de la válvula, conectar la alimentación de 230 V al termostato y alimentar el motor del ventilador a través del controlador de rotaciones, el sistema está listo para funcionar.



### Descripción de los interruptores del panel de control COMFORT NEW

**OFF-I-II-III** – interruptores para encender/apagar el ventilador y cambiar velocidades.

**HEAT** – el termostato envía una señal al actuador y al ventilador; el ventilador se apaga cuando se alcanza la temperatura establecida; la válvula corta el flujo de agua.

**FAN** – el funcionamiento del ventilador depende del termostato; las válvulas no funcionan.

**COOL** – el termostato envía una señal al actuador y al ventilador; el dispositivo se apaga cuando se alcanza una temperatura superior a la indicada.

## 8. PRIMER ARRANQUE/ACTIVACIÓN DEL DISPOSITIVO

Una vez realizadas todas las conexiones (eléctricas, de agua y de control automático), verificada la estanqueidad de todas las conexiones realizadas por el instalador y evacuado el aire del calentador, se puede activar el dispositivo de acuerdo con la siguiente secuencia de acciones:

- 8.1. Active el interruptor principal.
- 8.2. Fije la velocidad deseada del ventilador seleccionando el modo de funcionamiento apropiado en el panel de control.
- 8.3. Ajuste la temperatura deseada en el termostato.

## 9. DESACTIVACIÓN DEL DISPOSITIVO

Para apagar el dispositivo HEATER CONDENS, proceda de la siguiente manera:

- 9.1. Ajuste la temperatura al mínimo con la perilla del termostato. Después de unos 4 minutos la válvula se cerrará completamente y la calefacción se desactivará.
- 9.2. Coloque el interruptor principal en la posición "OFF" para que el ventilador se apague y el termostato se desconecte de la fuente de alimentación.

## 10. OPERACIÓN DEL DISPOSITIVO

El conjunto de motor y ventilador instalado en los dispositivos HEATER CONDENS está compuesto de elementos que no requieren mantenimiento, pero se recomiendan revisiones periódicas, especialmente del motor y de los cojinetes (el rotor del ventilador debe girar libremente, sin desviaciones axiales o radiales y golpes de cualquier tipo).

### NOTA:

- ❗ Si durante el funcionamiento se emiten ruidos metálicos, se producen vibraciones o aumenta el nivel de ruido emitido por el dispositivo, compruebe si la fijación del ventilador no se ha aflojado. En caso de problemas, hay que ponerse inmediatamente en contacto con el instalador del dispositivo o directamente con un Centro de Servicio Autorizado de SONNIGER.

## 11. MANTENIMIENTO

El intercambiador de calor requiere una limpieza sistemática de todas las impurezas. Antes del inicio de la temporada de calefacción, se recomienda limpiar el intercambiador de calor con aire comprimido dirigido a las salidas del aire (no hay necesidad de desmontar el dispositivo). Preste especial atención al limpiar las aletas del intercambiador debido a la alta posibilidad de daños. Si la aleta está doblada, use una herramienta especial para enderezarla. Si el dispositivo no utiliza durante un período de tiempo prolongado, desenchúfelo antes del próximo uso.

El intercambiador de calor no está equipado con ningún dispositivo de protección contra incendios. El intercambiador de calor puede dañarse si la temperatura ambiente desciende por debajo de 0 °C.

Si el dispositivo funciona en un local donde la temperatura desciende por debajo de 0 °C, hay que añadir líquido anticongelante al sistema de circulación de agua. El líquido anticongelante debe ser adecuado para el material del intercambiador (cobre), así como para los demás elementos del sistema hidráulico. El líquido debe diluirse con agua según las recomendaciones del fabricante.

**12. PARÁMETROS TÉCNICOS DEL DISPOSITIVO HEATER CONDENS**

<b>HEATER CONDENS CR ONE</b>																																				
Temp. de agua de entrada/salida		50/30					60/40					70/50					80/60					90/70					120/90									
Temp. de aire de entrada		0	5	10	15	20	0	5	10	15	20	0	5	10	15	20	0	5	10	15	20	0	5	10	15	20	0	5	10	15	20	0	5	10	15	20
<b>Flujo del aire de 1.600 m<sup>3</sup>/h (velocidad III)</b>																																				
Potencia de calefacción	kW	6,7	5,6	4,6	3,4	1,8	9,7	8,6	7,5	6,3	5,2	12,5	11,4	10,2	9,1	7,9	15,6	14,4	13,2	12,0	10,8	18,7	17,5	16,2	15,0	13,8	25,7	24,4	23,1	21,8	20,5					
Temp. de aire de salida	°C	14,4	16,7	19,0	21,1	22,2	19,8	22,2	24,7	27,1	29,4	24,9	27,4	29,9	32,3	34,8	29,9	32,4	35,0	37,5	40,0	35,0	37,5	40,1	42,6	45,2	46,4	49,0	51,6	54,1	56,6					
Flujo de agua	m <sup>3</sup> /h	0,4	0,3	0,3	0,2	0,1	0,5	0,4	0,4	0,3	0,3	0,6	0,6	0,5	0,4	0,4	0,7	0,7	0,6	0,6	0,5	0,9	0,8	0,7	0,7	0,6	0,8	0,7	0,7	0,6	0,6					
Caída de presión	kPa	5,0	3,6	2,5	1,5	0,5	8,0	6,5	5,0	3,7	2,6	11,5	9,7	8,0	6,5	5,1	15,4	13,3	11,4	9,6	8,0	19,6	17,4	15,2	13,2	11,3	14,7	13,4	12,2	11,0	9,8					
<b>Flujo del aire de 1.200 m<sup>3</sup>/h (velocidad II)</b>																																				
Potencia de calefacción	kW	5,6	4,7	3,8	2,8	1,6	8,1	7,1	6,2	5,3	4,3	10,4	9,4	8,5	7,5	6,6	12,9	11,9	11,0	10,0	9,0	15,5	14,5	13,5	12,5	11,5	21,3	20,2	19,2	18,1	17,1					
Temp. de aire de salida	°C	16,0	18,1	20,0	21,8	23,1	21,9	24,1	26,3	28,5	30,6	27,6	29,8	32,1	34,3	36,5	33,1	35,5	37,7	40,0	42,3	38,7	41,1	43,3	45,7	47,9	51,4	53,8	56,0	58,3	60,6					
Flujo de agua	m <sup>3</sup> /h	0,3	0,3	0,2	0,2	0,1	0,4	0,4	0,3	0,3	0,2	0,5	0,5	0,4	0,4	0,3	0,6	0,6	0,5	0,5	0,4	0,7	0,7	0,6	0,6	0,5	0,6	0,6	0,6	0,5	0,5					
Caída de presión	kPa	3,6	2,6	1,8	1,0	0,4	5,8	4,6	3,6	2,7	1,9	8,3	7,0	5,8	4,6	3,6	11,0	9,5	8,2	6,9	5,7	14,0	12,4	10,9	9,5	8,1	10,5	9,6	8,7	7,8	7,1					
<b>Flujo del aire de 750 m<sup>3</sup>/h (velocidad I)</b>																																				
Potencia de calefacción	kW	4,0	3,4	2,7	1,8	1,3	5,9	5,2	4,5	3,8	3,1	7,6	6,9	6,2	5,5	4,8	9,4	8,7	8,0	7,3	6,6	11,3	10,5	9,8	9,1	8,3	14,8	14,7	14,0	13,2	12,4					
Temp. de aire de salida	°C	18,6	20,1	21,6	22,1	24,6	25,5	27,4	29,2	30,9	32,5	32,1	33,9	35,9	37,7	39,4	38,6	40,4	42,4	44,2	46,0	45,0	47,0	48,8	50,8	52,6	59,8	61,8	63,7	65,5	67,4					
Flujo de agua	m <sup>3</sup> /h	0,2	0,2	0,1	0,1	0,1	0,3	0,3	0,2	0,2	0,2	0,4	0,4	0,3	0,3	0,2	0,4	0,4	0,4	0,3	0,3	0,5	0,5	0,5	0,4	0,4	0,5	0,4	0,4	0,4	0,4					
Caída de presión	kPa	2,0	1,5	1,0	0,5	0,3	3,3	2,6	2,1	1,5	1,1	4,7	3,9	3,3	2,6	2,1	6,2	5,4	4,6	3,9	3,3	7,9	7,0	6,1	5,3	4,6	5,9	5,4	4,9	4,4	4,0					

<b>HEATER CONDENS CR1</b>																																				
Temp. de agua de entrada/salida		50/30					60/40					70/50					80/60					90/70					120/90									
Temp. de aire de entrada		0	5	10	15	20	0	5	10	15	20	0	5	10	15	20	0	5	10	15	20	0	5	10	15	20	0	5	10	15	20	0	5	10	15	20
<b>Flujo del aire de 3.900 m<sup>3</sup>/h (velocidad III)</b>																																				
Potencia de calefacción	kW	8,7	7,1	5,4	3,6	1,7	12,4	10,8	9,3	7,7	6,1	16,0	14,4	12,9	11,3	9,7	21,1	19,4	17,6	15,9	14,2	23,0	21,4	19,7	17,9	16,1	37,9	35,9	33,9	31,9	29,9					
Temp. de aire de salida	°C	7,3	10,5	14,2	17,8	21,3	10,2	14,4	18,5	22,7	26,9	12,8	16,9	21,2	25,3	29,4	17,2	21,7	26,3	30,8	35,5	18,0	25,8	30,7	35,5	40,3	30,7	36,0	41,3	46,6	51,9					
Flujo de agua	m <sup>3</sup> /h	0,4	0,3	0,2	0,2	0,1	0,5	0,5	0,4	0,3	0,3	0,7	0,6	0,6	0,5	0,4	0,8	0,8	0,7	0,6	0,6	0,8	0,8	0,7	0,7	0,6	0,9	0,8	0,8	0,8	0,7					
Caída de presión	kPa	2,8	1,9	1,2	0,6	0,2	4,8	3,8	2,9	2,1	1,4	7,1	5,9	4,8	3,8	2,9	9,7	8,4	7,1	5,9	4,8	9,7	8,7	7,7	6,8	5,9	9,4	8,5	7,7	6,9	6,1					
<b>Flujo del aire de 2.500 m<sup>3</sup>/h (velocidad II)</b>																																				
Potencia de calefacción	kW	6,7	5,5	4,2	2,1	1,5	9,7	8,5	7,2	6,0	4,7	12,5	11,3	10,0	8,8	7,6	16,4	15,1	13,8	12,4	11,1	21,0	19,5	18,1	16,6	15,2	29,6	28,0	26,5	24,9	23,4					
Temp. de aire de salida	°C	8,8	11,6	15,0	17,6	21,8	12,4	16,3	20,2	24,1	28,0	15,6	19,5	23,3	27,2	31,1	20,9	25,2	29,4	33,7	38,0	25,6	30,1	34,6	39,0	43,6	37,4	42,3	47,3	52,2	57,3					
Flujo de agua	m <sup>3</sup> /h	0,3	0,2	0,2	0,1	0,1	0,4	0,4	0,3	0,3	0,2	0,5	0,5	0,4	0,4	0,3	0,7	0,6	0,5	0,5	0,4	0,8	0,7	0,7	0,6	0,6	0,7	0,6	0,6	0,6	0,5					
Caída de presión	kPa	1,8	1,2	0,8	0,2	0,1	3,1	2,4	1,9	1,3	0,9	4,6	3,8	3,1	2,5	1,9	6,3	5,4	4,6	3,8	3,1	8,0	7,1	6,2	5,3	4,5	6,0	5,5	4,9	4,4	4,0					
<b>Flujo del aire de 1.850 m<sup>3</sup>/h (velocidad I)</b>																																				
Potencia de calefacción	kW	5,6	4,5	3,4	2,0	1,4	8,1	7,1	6,1	5,0	3,9	10,5	9,5	8,4	7,4	6,4	13,8	12,7	11,6	10,4	9,3	17,6	16,4	15,2	14,0	12,8	24,8	23,5	22,2	20,9	19,6					
Temp. de aire de salida	°C	9,9	12,4	15,5	18,2	22,3	14,0	17,8	21,5	25,1	28,6	17,7	21,4	25,1	28,7	32,3	23,6	27,7	31,8	35,8	39,8	29,0	33,2	37,6	41,8	45,9	42,3	47,0	51,8	56,4	61,2					
Flujo de agua	m <sup>3</sup> /h	0,3	0,2	0,2	0,1	0,1	0,4	0,3	0,3	0,2	0,2	0,5	0,4	0,4	0,3	0,3	0,5	0,5	0,5	0,4	0,4	0,6	0,6	0,6	0,5	0,5	0,6	0,5	0,5	0,5	0,4					
Caída de presión	kPa	1,3	0,9	0,5	0,2	0,1	2,3	1,8	1,4	1,0	0,6	3,4	2,8	2,3	1,8	1,4	4,6	3,9	3,3	2,8	2,3	5,9	5,2	4,5	3,9	3,3	4,4	4,0	3,6	3,2	2,9					

<b>HEATER CONDENS CR2</b>																																				
Temp. de agua de entrada/salida		50/30					60/40					70/50					80/60					90/70					120/90									
Temp. de aire de entrada		0	5	10	15	20	0	5	10	15	20	0	5	10	15	20	0	5	10	15	20	0	5	10	15	20	0	5	10	15	20	0	5	10	15	20
<b>Flujo del aire de 3.350 m<sup>3</sup>/h (velocidad III)</b>																																				
Potencia de calefacción	kW	12,5	10,5	8,4	6,1	2,8	19,6	17,3	15,0	12,6	10,2	26,2	23,7	21,3	18,8	16,3	32,5	30,0	27,5	24,9	22,4	39,3	36,7	34,0	31,4	28,8	53,4	50,7	48,0	45,3	42,6					
Temp. de aire de salida	°C	10,7	14,3	16,9	19,5	21,9	16,6	19,0	21,2	23,5	25,8	22,1	24,6	27,1	29,5	32,0	27,2	29,7	32,2	34,8	37,3	32,4	35,0	37,6	40,2	42,7	45,0	47,0	50,4	53,1	55,9					
Flujo de agua	m <sup>3</sup> /h	0,7	0,6	0,5	0,3	0,2	1,0	0,8	0,7	0,6	0,5	1,2	1,1	1,0	0,9	0,8	1,5	1,3	1,2	1,1	1,0	1,7	1,6	1,5	1,4	1,2	1,5	1,4	1,3	1,3	1,2					
Caída de presión	kPa	4,4	3,2	2,1	1,2	0,3	7,2	5,8	4,4	3,3	2,2	10,5	8,8	7,2	5,8	4,5	14,1	12,2	10,4	8,8	7,2	18,2	16,0	14,0	12,1	10,4	13,6	12,4	11,2	10,1	9,0					
<b>Flujo del aire de 2.000 m<sup>3</sup>/h (velocidad II)</b>																																				
Potencia de calefacción	kW	9,1	7,6	6,0	4,2	2,4	14,2	12,6	10,9	9,2	7,4	19,0	17,2	15,5	13,7	11,9	23,5	21,7	19,9	18,1	16,3	28,4	26,5	24,6	22,7	20,9	38,6	36,7	34,8	32,8	30,9					
Temp. de aire de salida	°C	12,9	19,4	21,4	23,0	24,5	20,2	22,1	23,9	25,8	27,7	26,9	28,9	30,9	33,0	35,0	32,9	35,0	37,1	39,2	41,3	39,2	41,4	43,5	45,6	47,8	54,5	56,7	59,0	61,2	63,4					
Flujo de agua	m <sup>3</sup> /h	0,5	0,4	0,3	0,2	0,1	0,7	0,6	0,5	0,4	0,4	0,9	0,8	0,7	0,6	0,5	1,1	1,0	0,9	0,8	0,7	1,2	1,1	1,1	1,0	0,9	1,1	1,0	1,0	0,9	0,9					
Caída de presión	kPa	2,5	1,8	1,2	0,6	0,2	4,1	3,3	2,5	1,9	1,3	5,9	4,9	4,1	3,3	2,6	7,9	6,8	5,8	4,9	4,1	10,1	8,9	7,8	6,8	5,8	7,6	6,9	6,3	5,7	5,1					
<b>Flujo del aire de 1.450 m<sup>3</sup>/h (velocidad I)</b>																																				
Potencia de calefacción	kW	7,3	6,1	4,8	2,9	2,1	11,5	10,2	8,8	7,4	6,0	15,3	13,9	12,5	11,1	9,6	19,0	17,5	16,1	14,6	13,2	22,9	21,4	19,9	18,4	16,9	31,2	29,6	28,1	26,5	25,0					
Temp. de aire de salida	°C	14,4	21,0	22,5	22,6	25,5	22,5	24,1	25,8	27,3	28,8	29,9	31,7	33,5	35,2	37,0	36,6	38,4	40,2	42,1	43,9	43,5	45,4	47,3	49,2	51,1	60,6	62,5	64,6	66,5	68,4					
Flujo de agua	m <sup>3</sup> /h	0,4	0,3	0,3	0,2	0,1	0,6	0,5	0,4	0,4	0,3	0,7	0,6	0,6	0,5	0,4	0,8	0,8	0,7	0,7	0,6	1,0	0,9	0,9	0,8	0,7	0,9	0,8	0,8	0,7	0,7					
Caída de presión	kPa	1,7	1,2	0,8	0,3	0,2	2,8</																													

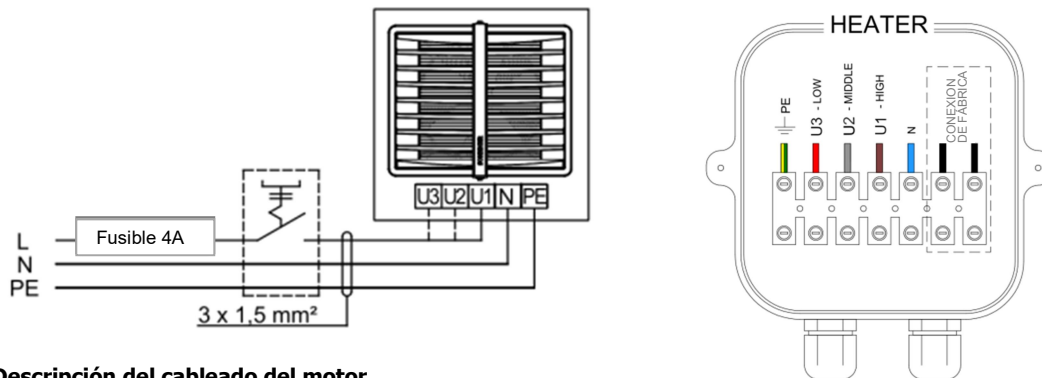
## Documentación de Operación y Mantenimiento del Dispositivo de Calefacción y Ventilación HEATER CONDENS v202301

HEATER CONDENS CR2 MAX																															
Temp. de agua de entrada/salida		50/30					60/40					70/50					80/60					90/70					120/90				
		0	5	10	15	20	0	5	10	15	20	0	5	10	15	20	0	5	10	15	20	0	5	10	15	20	0	5	10	15	20
Temp. de aire de entrada		Flujo del aire de 5.700 m <sup>3</sup> /h (velocidad III)																													
Potencia de calefacción	KW	24,5	20,5	16,5	12,3	7,5	32,2	28,3	24,5	20,6	16,7	39,7	35,9	32,0	28,3	24,5	47,5	43,6	39,8	36,0	32,2	55,0	51,1	47,2	43,4	39,6	72,4	68,5	64,5	60,6	56,8
Temp. de aire de salida	°C	13,7	16,8	19,8	22,7	25,0	18,0	21,1	24,2	27,3	30,2	22,3	25,5	28,6	31,7	34,8	26,0	29,2	32,3	35,4	38,4	30,1	33,3	36,4	39,5	42,6	39,3	42,6	45,9	49,1	52,2
Flujo de agua	m <sup>3</sup> /h	3,5	2,5	1,7	0,9	0,3	5,8	4,6	3,5	2,6	1,8	8,4	7,0	5,7	4,5	3,5	11,3	9,7	8,2	6,8	5,6	14,5	12,7	11,0	9,4	8,0	10,9	9,8	8,8	7,9	7,0
Caída de presión	kPa	3,5	2,5	1,7	0,9	0,3	5,8	4,6	3,5	2,6	1,8	8,4	7,0	5,7	4,5	3,5	11,3	9,7	8,2	6,8	5,6	14,5	12,7	11,0	9,4	8,0	10,9	9,8	8,8	7,9	7,0
HEATER CONDENS CR3 MAX																															
Temp. de agua de entrada/salida		50/30					60/40					70/50					80/60					90/70					120/90				
		0	5	10	15	20	0	5	10	15	20	0	5	10	15	20	0	5	10	15	20	0	5	10	15	20	0	5	10	15	20
Temp. de aire de entrada		Flujo del aire de 5.600 m <sup>3</sup> /h (velocidad III)																													
Potencia de calefacción	KW	31,9	27,0	22,2	17,2	11,8	41,6	36,8	32,0	27,3	22,5	53,0	48,0	43,1	38,2	33,3	61,9	57,0	52,1	47,3	42,5	74,2	69,0	63,9	58,9	53,9	96,6	91,4	86,3	81,2	76,2
Temp. de aire de salida	°C	20,9	24,8	28,4	31,9	35,1	27,3	31,4	35,5	39,3	43,2	35,0	39,3	43,3	47,4	51,3	41,0	45,5	49,9	54,1	58,2	49,1	53,5	57,9	62,2	66,4	63,2	68,1	72,6	77,2	81,8
Flujo de agua	m <sup>3</sup> /h	1,4	1,2	0,9	0,7	0,5	1,7	1,5	1,3	1,1	0,9	2,2	2,0	1,8	1,6	1,4	2,6	2,4	2,2	2,0	1,8	3,1	2,8	2,6	2,4	2,2	2,6	2,5	2,4	2,2	2,1
Caída de presión	kPa	10,5	7,8	5,4	3,4	1,7	15,9	12,7	9,9	7,4	5,2	23,7	19,8	16,3	13,1	10,2	30,1	25,9	22,0	18,4	15,2	40,3	35,3	30,7	26,5	22,5	28,9	26,1	23,5	21,0	18,7
HEATER CONDENS CR4 MAX																															
Temp. de agua de entrada/salida		50/30					60/40					70/50					80/60					90/70					120/90				
		0	5	10	15	20	0	5	10	15	20	0	5	10	15	20	0	5	10	15	20	0	5	10	15	20	0	5	10	15	20
Temp. de aire de entrada		Flujo del aire de 5.100 m <sup>3</sup> /h (velocidad III)																													
Potencia de calefacción	KW	42,1	35,7	29,3	22,9	16,0	54,1	47,9	41,7	35,5	29,3	68,3	61,9	55,5	49,2	42,9	79,5	73,1	66,8	60,6	54,4	93,9	87,3	80,8	74,4	68,0	121,6	115,0	108,4	101,9	95,5
Temp. de aire de salida	°C	26,9	29,8	32,6	35,3	37,6	34,7	38,1	41,2	44,3	47,1	44,1	47,5	50,6	53,8	56,8	51,0	54,5	57,9	61,2	64,5	60,1	63,6	67,0	70,4	73,5	78,0	81,8	85,5	89,2	92,6
Flujo de agua	m <sup>3</sup> /h	1,6	1,4	1,1	0,9	0,6	2,1	1,8	1,6	1,4	1,1	2,6	2,4	2,1	1,9	1,6	3,0	2,8	2,6	2,3	2,1	3,6	3,4	3,1	2,9	2,6	3,1	3,0	2,8	2,6	2,5
Caída de presión	kPa	14,3	10,7	7,5	4,8	2,5	21,6	17,3	13,5	10,1	7,2	32,1	26,8	22,0	17,7	13,8	40,8	35,1	29,8	24,9	20,5	54,3	47,5	41,3	35,5	30,2	39,2	35,4	31,8	28,4	25,2
HEATER CONDENS CR4 MAX																															
Temp. de agua de entrada/salida		50/30					60/40					70/50					80/60					90/70					120/90				
		0	5	10	15	20	0	5	10	15	20	0	5	10	15	20	0	5	10	15	20	0	5	10	15	20	0	5	10	15	20
Temp. de aire de entrada		Flujo del aire de 3.400 m <sup>3</sup> /h (velocidad II)																													
Potencia de calefacción	KW	32,3	27,4	22,5	17,5	12,1	41,4	36,7	32,0	27,3	22,5	52,2	47,2	42,4	37,6	32,9	60,6	55,8	51,0	46,2	41,5	71,5	66,4	61,5	56,6	51,7	92,8	87,7	82,6	77,7	72,8
Temp. de aire de salida	°C	30,9	33,3	35,6	37,6	39,0	39,8	42,7	45,4	47,8	50,2	50,5	53,4	56,1	58,7	61,1	58,3	61,3	64,3	67,0	69,8	68,5	71,6	74,5	77,3	80,0	89,1	92,5	95,8	98,9	101,9
Flujo de agua	m <sup>3</sup> /h	1,2	1,1	0,9	0,7	0,5	1,6	1,4	1,2	1,0	0,9	2,0	1,8	1,6	1,4	1,3	2,3	2,1	1,9	1,8	1,6	2,7	2,6	2,4	2,2	2,0	2,4	2,3	2,1	2,0	1,9
Caída de presión	kPa	8,9	6,6	4,6	2,9	1,5	13,3	10,7	8,3	6,3	4,4	19,6	16,4	13,5	10,9	8,5	25,0	21,4	18,2	15,3	12,6	33,0	28,9	25,1	21,6	18,3	23,9	21,6	19,4	17,3	15,4
HEATER CONDENS CR4 MAX																															
Temp. de agua de entrada/salida		50/30					60/40					70/50					80/60					90/70					120/90				
		0	5	10	15	20	0	5	10	15	20	0	5	10	15	20	0	5	10	15	20	0	5	10	15	20	0	5	10	15	20
Temp. de aire de entrada		Flujo del aire de 2.400 m <sup>3</sup> /h (velocidad I)																													
Potencia de calefacción	KW	25,3	21,5	17,6	13,6	9,0	32,4	28,7	25,0	21,4	17,7	40,7	36,9	33,1	29,4	25,7	47,3	43,5	39,7	36,1	32,4	55,6	51,6	47,8	44,0	40,2	72,3	68,3	64,4	60,5	56,7
Temp. de aire de salida	°C	34,4	36,4	38,1	39,4	39,7	44,4	46,7	49,0	51,0	52,8	56,1	58,4	60,7	62,9	64,9	64,6	67,3	69,8	72,2	74,4	75,8	78,4	81,0	83,4	85,6	98,8	101,8	104,7	107,3	109,9
Flujo de agua	m <sup>3</sup> /h	1,0	0,8	0,7	0,5	0,3	1,2	1,1	1,0	0,8	0,7	1,6	1,4	1,3	1,1	1,0	1,8	1,7	1,5	1,4	1,2	2,1	2,0	1,8	1,7	1,5	1,9	1,8	1,7	1,6	1,5
Caída de presión	kPa	5,7	4,2	3,0	1,9	0,9	8,6	6,9	5,4	4,0	2,9	12,5	10,5	8,6	6,9	5,4	15,9	13,6	11,6	9,7	8,0	20,9	18,3	15,9	13,6	11,6	15,2	13,7	12,3	11,0	9,7

### 13. ESQUEMAS DE CONEXIONES ELÉCTRICAS

#### 13.1. Conexión del calentador HEATER CONDENS sin unidad de control automático

\* El conjunto no incluye el interruptor principal del dispositivo, fusibles ni cable de alimentación.

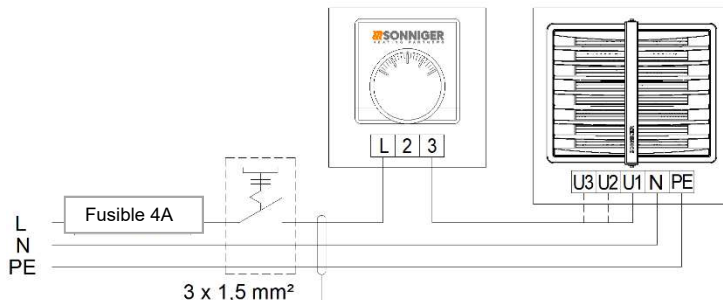


#### Descripción del cableado del motor

- U1** high speed (alta velocidad) - marrón
- U2** middle speed (media velocidad) - gris
- U3** low speed (baja velocidad) - rojo
- N** neutral (neutro) - azul
- PE** protection (protección) - amarillo/verde

#### 13.2. Instalación del destratificador HEATER MIX con termostato para interiores

\* El conjunto no incluye el interruptor principal del dispositivo, fusibles ni cable de alimentación.



#### 13.3. Instalación de varios calentadores HEATER CONDENS con el panel de control COMFORT NEW, válvulas y actuadores

Un panel de control COMFORT puede controlar:

- **hasta 6 calentadores HEATER CONDENS CR ONE**
- **hasta 3 calentadores HEATER CONDENS**
- **hasta 2 calentadores HEATER CONDENS MAX**

El conjunto no incluye el interruptor principal del dispositivo, fusibles ni cable de alimentación.

**HEAT (calefacción)** – el termostato envía una señal al actuador y al ventilador; el ventilador se apaga cuando se alcanza la temperatura establecida; la válvula corta el flujo de agua.

**FAN (ventilación)** – el funcionamiento del ventilador depende del termostato; las válvulas no funcionan.

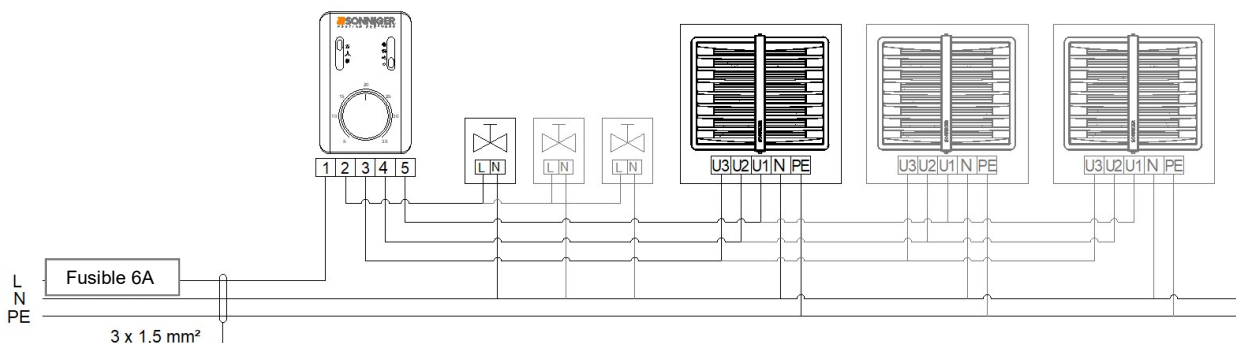
**COOL (refrigeración)** – el termostato envía una señal al actuador y al ventilador; el dispositivo se apaga cuando se alcanza una temperatura superior a la indicada

Adicionalmente, es posible cambiar la armadura SR1 para SR1CONST para que el ventilador funcione independientemente del termostato. En este caso el funcionamiento del termostato solo depende de las válvulas.

**HEAT (calefacción)** – el ventilador funciona independientemente del termostato; las válvulas funcionan hasta que se alcance la temperatura fijada.

**FAN (ventilación)** – el ventilador funciona independientemente del termostato, las válvulas no funcionan.

**COOL (refrigeración)** – el ventilador funciona independientemente del termostato, las válvulas funcionan cuando se alcance una temperatura superior a la indicada.



### 13.4. Conexión del calentador HEATER CONDENS con el panel INTELLIGENT

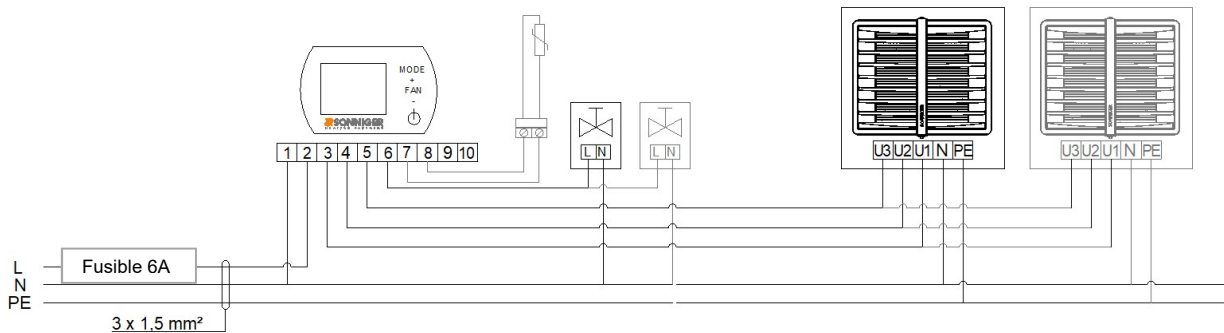
El panel INTELLIGENT controla el funcionamiento de los actuadores/válvulas y la velocidad del ventilador del calentador en función de la temperatura ambiente indicada. La velocidad del ventilador cambia automáticamente a una más baja cuando se alcanza la temperatura indicada en el local donde está instalado el dispositivo. Es posible utilizar programador de temperatura semanal y realizar comunicación con sistemas BMS.

Hay una posibilidad de conectar el sensor NTC remoto suministrado por el fabricante (longitud: 5 m, extensión máxima admisible del cable: hasta 20 m).

Un panel de control INTELLIGENT puede controlar:

- **hasta 6 calentadores HEATER CONDENS CR ONE**
- **hasta 2 calentadores HEATER CONDENS MAX**
- **1 calentador HEATER CONDENS CR MAX**

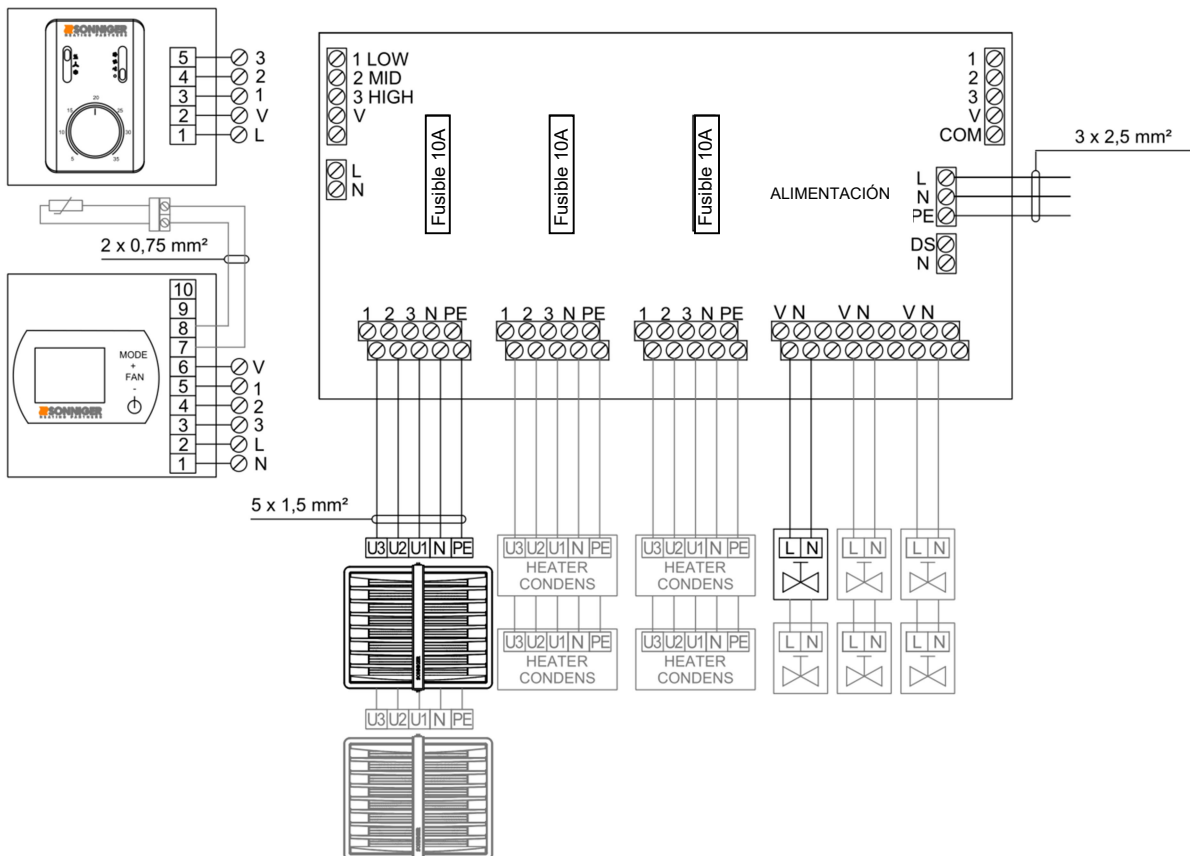
\* El conjunto no incluye el interruptor principal del dispositivo, fusibles ni cable de alimentación.



### 13.5. Separador de señal MULTI 6: control de hasta 6 dispositivos HEATER CONDENS o HEATER CONDENS MAX o hasta 12 dispositivos HEATER CONDENS CR ONE desde un panel COMFORT NEW o INTELLIGENT

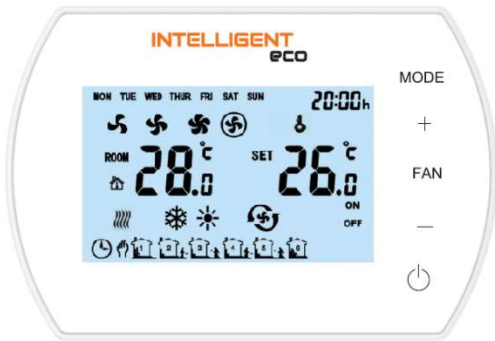
El separador de señal MULTI 6 permite conectar y controlar un número mayor de dispositivos de calefacción y ventilación (hasta 6/12 unidades) y válvulas con actuadores (hasta 6/12 piezas). Los ventiladores y las válvulas se controlan mediante el panel de control COMFORT NEW o el controlador INTELLIGENT.

Para conectar más de 6 ventiladores o válvulas, existe la posibilidad de interconectar los separadores entre sí (extensión máxima a 10 separadores). Para hacerlo hay que abrir el conector DS-N en el primer separador y cortar los conectores DS-N en los restantes separadores (de 2 a 10)



## 14. UNIDAD DE CONTROL AUTOMÁTICO INTELLIGENT WIFI

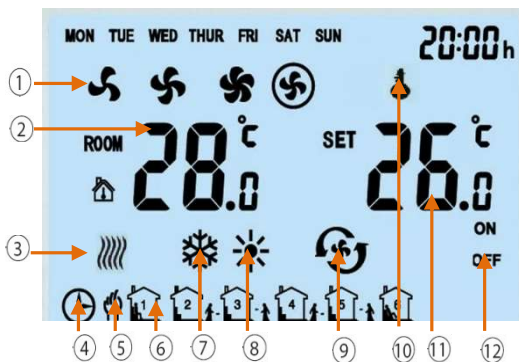
El panel INTELLIGENT WIFI con programador semanal y modo de funcionamiento automático selecciona la velocidad del ventilador en función de la temperatura establecida. Cuanto menor sea la temperatura del aire en la sala, mayor será la salida de aire. La velocidad del ventilador cambia automáticamente sin ninguna intervención manual por parte del usuario. Además, es posible controlar el funcionamiento del dispositivo a través de una aplicación móvil.



### Funciones

- Lectura de temperatura del sensor interno o sensor NTC externo.
- Control manual o automático de 3 velocidades del ventilador.
- Programación semanal: 5/1/1 días.
- Protección anticongelante: 5 ~ 15 °C.
- Control remoto desde la aplicación Tuya Smart.
- Contacto seco.

### Descripción del panel



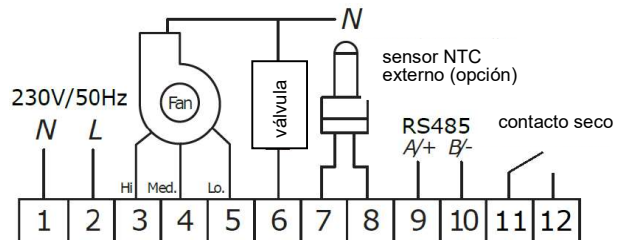
- 1 - Velocidad del ventilador: 1, 2, 3 o automática
- 2 - Temperatura ambiente
- 3 - Símbolo de protección anticongelante
- 4 - Programación automática
- 5 - Ajustes manuales
- 6 - 6 zonas horarias por día
- 7 - Modo de refrigeración
- 8 - Modo de calefacción
- 9 - Modo de ventilación
- 10 - Bloqueo de configuración
- 11 - Temperatura establecida
- 12 - Estado de encendido/apagado de las zonas horarias



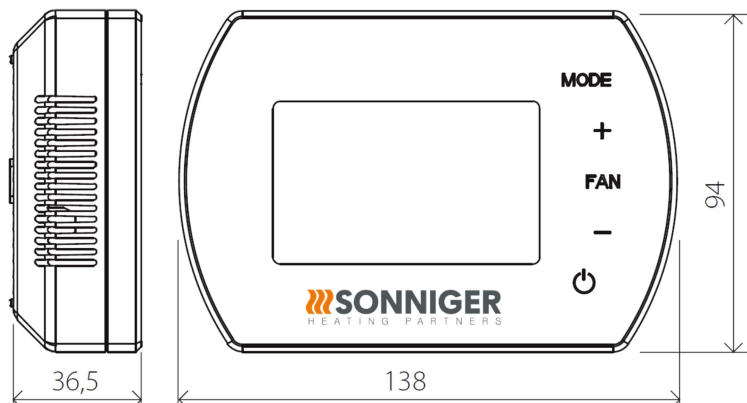
- 13 - Modo:  
Presione brevemente para seleccionar el modo manual o el modo programable  
Mantenga presionado durante 3 segundos para seleccionar el modo de refrigeración, el modo de calentamiento o el modo de ventilación.
- 14 - Ventilador:  
Presione brevemente para seleccionar la velocidad del ventilador: Low (Baja), Med (Media), High (Alta) o Auto (Automática).
- 15 - Activar/desactivar el panel INTELLIGENT.

### Parámetros técnicos

1	Fuente de alimentación	230V/50Hz
2	Rango de ajuste de temperatura	5°C 40°C
3	Condiciones de operación	-10°C 60°C
4	IP	20
5	Sensor de temperatura	Interno/externo NTC (opcional)



### Dimensiones



### Gestión de paneles



Cuando el panel INTELLIGENT está apagado, mantenga presionado el botón MODE durante 5 segundos. Aparecerá el código 1. Seleccionando "+" o "-" se cambia la configuración. Manteniendo presionado el botón MODE, puede cambiar el código.

Configuración del menú	Opciones	Valor
1	Calibración de temperatura	-9°C ~ +9°C
2	EEPROM	0: No recordado 1: Recordado
3	Modo de funcionamiento	C1: Modo de funcionamiento termostático C2: Modo de funcionamiento continuo
4	Selección de sensores	0: Sensor interno 1: Sensor externo NTC
5	Anticongelante	0: Apagado 1: Encendido
6	Rango de ajuste de anticongelante	+5°C ~ +15°C
7	Señal ALARMA	0: No disponible 1: Disponible
8	Ajuste de contacto seco	0: NO 1: NC
9	Funciones MODBUS	0: No disponibles 1: Disponibles
10	Velocidad BMS	0-2400 / 1-9600 / 2-19200
11	Configuración del protocolo MODBUS	1~247 (01~F7)




### Botón de bloqueo/desbloqueo

Mantenga presionados los botones "+" y "-" simultáneamente durante 5 segundos para BLOQUEAR todos los botones. Mantenga presionados los botones "+" y "-" simultáneamente durante 5 segundos para DESBLOQUEAR todos los botones.

Presione el botón MODE para seleccionar:

modo manual  o modo automático .

Mantenga presionado el botón MODE durante 5 segundos para seleccionar:

modo de refrigeración , modo de calefacción  o modo de ventilación .








Presione el botón FAN para seleccionar la velocidad del ventilador:

baja , media , alta  o automática .

Mantenga presionado el botón FAN durante 5 segundos para programar manualmente:







lunes-viernes, sábado y domingo (6 configuraciones por día).

### Funciones BMS

-  Gestión/Lectura
-  Operación/Inactividad
-  Programa semanal
-  Temperatura
-  Velocidad del ventilador
-  Modo calefacción, refrigeración y ventilación
-  Protección anticongelante

N.º	Datos	Especificaciones
1	Modo de operación	RS485 semidúplex; ordenador o controlador como maestro; termostato como esclavo
2	Interfaz	A (+), B (-), 2 cables
3	Tasa de baudios	0-2400 / 1-9600 / 2-19200
4	Byte	9 bits en total: 8 bits de datos + 1 bit de parada
5	Modbus	Modo RTU
6	Transmisión	Formato RTU (Unidad Terminal Remota). Consulte las instrucciones de MODBUS.
7	Dirección del termostato	1-247 ; (0 es la dirección de transmisión y representa todos los termostatos sin respuesta)

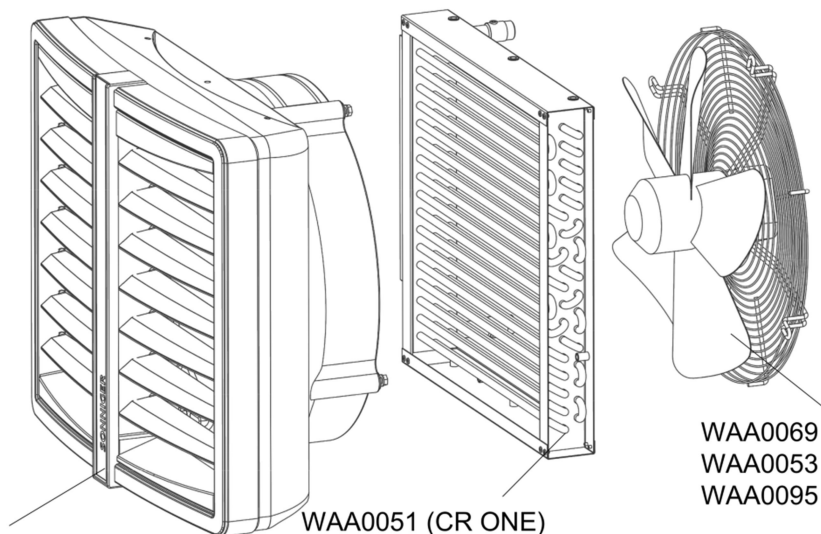
### Funciones WiFi

-  Gestión/Lectura
-  Operación/Inactividad
-  Programa semanal
-  Temperatura
-  Velocidad del ventilador
-  Modo calefacción, refrigeración y ventilación

### CONEXIÓN DEL PANEL INTELLIGENT WIFI CON LA APLICACIÓN TUYA

1. Descargue la aplicación Tuya Smart (disponible en App Store y Play Store).
2. Conecte el panel de control a la fuente de alimentación y al dispositivo (el panel de control debe estar apagado).
3. Active la aplicación Tuya y siga las instrucciones.
4. Active Bluetooth y WiFi durante la conexión y luego active la aplicación Tuya.
5. Smart: Para conectarse en el panel INETLLIGENT, mantenga presionado el botón "+" durante 5 segundos hasta que aparezca el comunicado SA en el lado izquierdo de la pantalla.
6. Seleccione "Agregar dispositivo". La aplicación debe detectar el controlador. Luego presione "Add" y después de completar el proceso de configuración, presione "Siguiente" y "Terminado".
7. En ausencia de la opción "Add", seleccione la pestaña "Dispositivos pequeños" y la opción "Termostato (WiFi)". Luego ingrese los datos para conectarse a la red WiFi seleccionada y confirme. Después presione "Blink slowly".
8. Aparecerá una pantalla con información sobre la búsqueda de dispositivos. Después de detectar el controlador, el proceso de conexión es automático. Después de completar el proceso de configuración, presione "Siguiente" y "Terminado"

### CATÁLOGO DE REPUESTOS



WAA0070 (CR ONE)

WAA0041 (CR1,2,3, MIX1)

WAA0096 (CR MAX 2,3,4, MIX2)

WAA0051 (CR ONE)

WAA0037 (CR1) WAA0092 (CR2MAX)

WAA0038 (CR2) WAA0093 (CR3MAX)

WAA0039 (CR3) WAA0094 (CR4MAX)

WAA0069 (CR ONE)

WAA0053 (CR1,2,3, MIX1)

WAA0095 (CR MAX 2,3,4, MIX2)

### CUMPLIMIENTO DE LA DIRECTIVA RAEE 2012/19/UE

De conformidad con la legislación aplicable, es decir, la Ley de 29 de julio de 2005 sobre residuos de dispositivos eléctricos y electrónicos (Diario Oficial de Leyes de 2005 N.º 180, documento 1495, con modificaciones posteriores) y la Ley de 21 de noviembre de 2008 por la que se modifica la Ley de residuos de dispositivos eléctricos y electrónicos y algunas otras leyes (Diario Oficial de Ley de 2008, N.º 223, documento 1464), en el momento de la compra de nuevos dispositivos eléctricos o electrónicos con el siguiente símbolo:



¡Atención! RECUERDE QUE ESTOS EQUIPOS DEBERÁN ELIMINARSE POR SEPARADO (Artículo 22 (1), Diario Oficial de Leyes de 2005 No. 180, documento 1495).

Para obtener información sobre el sistema de recogida de residuos de dispositivos eléctricos y electrónicos, póngase en contacto con su distribuidor.



## TÉRMINOS Y CONDICIONES DE GARANTÍA

### § 1. Términos y condiciones de garantía para dispositivos de la serie GUARD, GUARD PRO y HEATER CONDENS.

1. En virtud de la garantía, el cliente tendrá derecho a reemplazar el dispositivo o su componente por un producto nuevo y libre de defectos, exclusivamente si durante el período de garantía el fabricante considera que la eliminación del defecto no es posible.
2. El usuario podrá solicitar reparación gratuita una vez que presente un comprobante de compra y una Tarjeta de Garantía debidamente rellena.
3. La garantía cubre los defectos materiales del dispositivo que impidan su uso conforme con el propósito previsto. La garantía no cubre obras de instalación y mantenimiento.
4. El período de garantía es de 24 meses a partir de la fecha de entrega del dispositivo al Comprador indicada en la factura de venta. La garantía cubre todas las piezas/componentes entregados.
5. Para realizar una reparación bajo la garantía, el usuario estará obligado a entregar el dispositivo reclamado al taller del fabricante.
6. Según la decisión de SONNIGER, el fabricante podrá poner a disposición del usuario un dispositivo de reemplazo para que sea utilizado durante el examen de la reclamación bajo la garantía. El dispositivo de reemplazo será cubierto por una factura que se cancelará una vez aceptada la reclamación hecha al amparo de la garantía.
7. Si se encuentra un defecto causado por una instalación, puesta en marcha o mantenimiento no conforme con lo dispuesto en la Documentación de Operación y Mantenimiento, no se aceptará la reclamación al amparo de la garantía.
8. Los dispositivos solo pueden ser puestos en marcha y reparados por personas capacitadas en su instalación y mantenimiento que tengan calificaciones apropiadas. Todos los trabajos relacionados con la puesta en marcha, el mantenimiento o la reparación deben registrarse en la Tarjeta de Garantía.
9. El prerrequisito para la vigencia de la garantía es la instalación y puesta en marcha del dispositivo en conformidad con las disposiciones incluidas en la Documentación de Operación y Mantenimiento dentro de 6 meses a partir de la fecha de compra a más tardar.
10. El producto está cubierto por la garantía durante todo el período de garantía solo si se realizan las obras de mantenimiento especificadas en la sección "Mantenimiento" de la Documentación de Operación y Mantenimiento.
11. La prestación de servicios al amparo de la garantía no interrumpirá ni suspenderá la vigencia de la garantía. La garantía de los componentes sustituidos o reparados terminará con la expiración de la garantía del dispositivo.

### § 2. Exclusiones de la garantía

1. La garantía no cubre daños mecánicos ni daños a los componentes eléctricos resultantes del uso inadecuado, el transporte incorrecto, la tensión anormal u otras razones no relacionadas con los defectos del producto. Por lo tanto, la garantía cubre únicamente la sustitución de piezas/componentes que presenten defectos de fabricación. Las piezas/componentes nuevos se entregarán sin coste adicional únicamente si las piezas/componentes defectuosos se hayan devuelto.
2. La garantía no cubre errores técnicos que se produzcan durante los procedimientos de instalación, ajuste o control, en particular los siguientes defectos:
  - a. Defectos resultantes de la conexión del dispositivo a un sistema de ventilación diseñado de forma inadecuada que permite cargas de calor adicionales inconformes con las normas aplicables y reduce la eficiencia del intercambiador de calor.
  - b. Defectos resultantes de la conexión a los componentes o piezas que formen parte del sistema de calefacción, pero no hayan sido suministrados por el vendedor, y cuyo funcionamiento inadecuado afecte la eficacia del dispositivo.
  - c. Defectos resultantes de la conexión a los componentes que no sean repuestos originales.
  - d. Defectos resultantes de la reventa del producto por parte del primer comprador/usuario a otro comprador que haya desmontado e instalado un dispositivo previamente instalado y puesto en funcionamiento en otras condiciones determinadas.
  - e. Defectos resultantes de una inspección incorrecta o conocimientos insuficientes del instalador o del personal técnico que realiza de forma indebida los trabajos de mantenimiento postventa del dispositivo.
  - f. Defectos resultantes de las condiciones específicas de uso que difieran de las aplicaciones típicas, a menos que las partes (el vendedor y el personal técnico del cliente) hayan acordado previamente tales condiciones por escrito.
  - g. Defectos resultantes de fuerza mayor, tales como incendios, explosiones y otros incidentes que puedan causar daños a los dispositivos mecánicos, eléctricos y de protección.
  - h. Defectos resultantes de una limpieza inadecuada de la sala de máquinas u otro lugar donde se haya instalado el dispositivo; la limpieza debe realizarse periódicamente, en función de las condiciones específicas de operación y la acumulación de polvos.
  - i. Defectos resultantes de la ausencia o inadecuación de limpieza de los intercambiadores de calor; la limpieza debe realizarse periódicamente, en función de las condiciones específicas de operación y la acumulación de polvos.
  - j. Defectos resultantes de la instalación inadecuada en las condiciones de funcionamiento con baja temperatura exterior.
  - k. Defectos resultantes de baja temperatura si el instalador no haya instalado ningún dispositivo de protección para evitar:
    - bajas temperaturas en componentes eléctricos y mecánicos como válvulas, dispositivos de control eléctricos o electrónicos,
    - condensación de agua y formación de escarcha o hielo cerca del dispositivo,
    - choque térmico del calentador o del intercambiador de calor causado por cambios bruscos de la temperatura exterior.

**§ 3. SONNIGER Polska no será responsable de:**

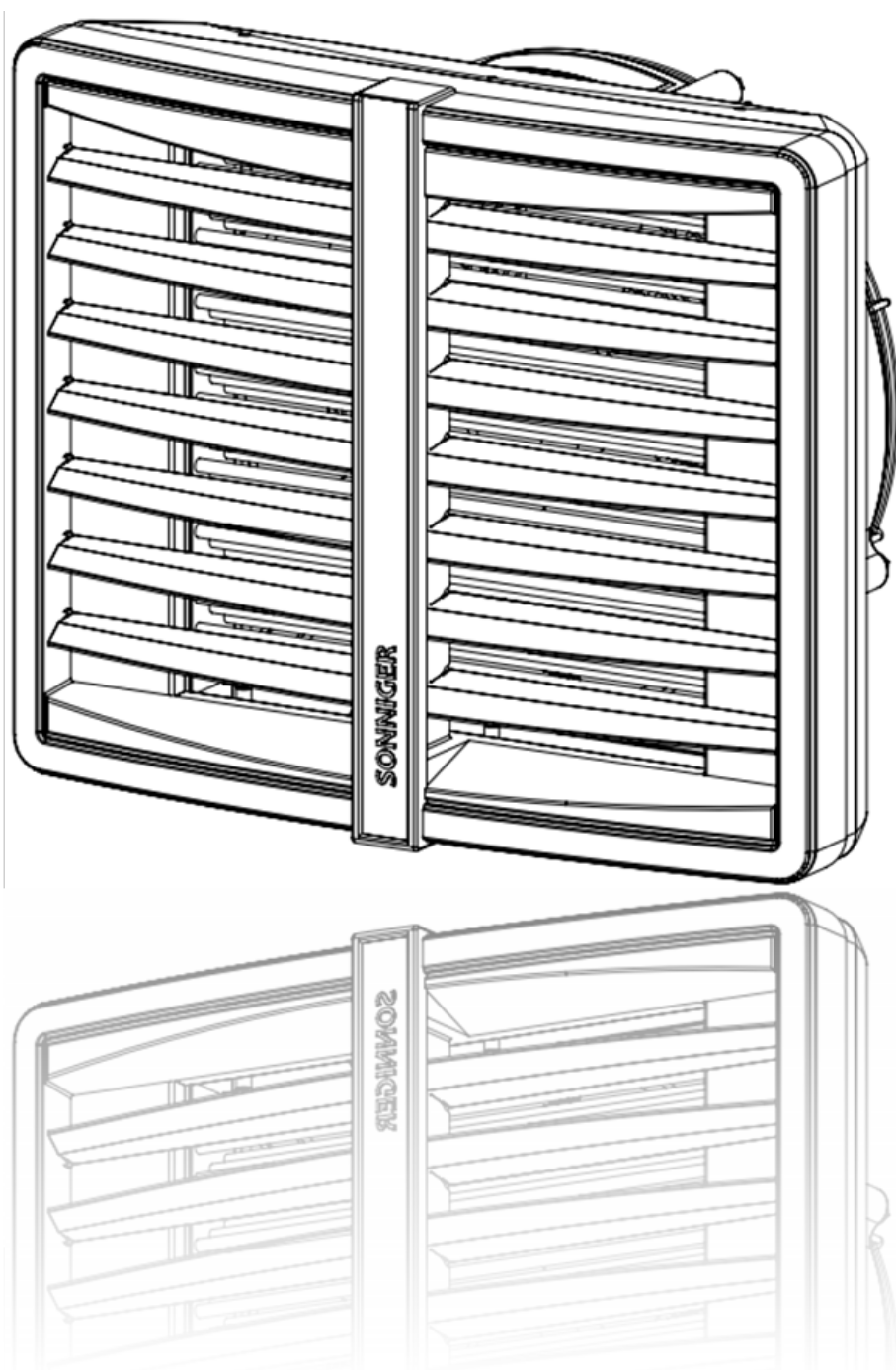
1. Mantenimiento regular, inspecciones resultantes de la Documentación de Operación y Mantenimiento o programación del dispositivo.
2. Defectos causados por la inactividad del dispositivo durante el periodo de espera para los servicios de garantía.
3. Cualquier daño a la propiedad del cliente que no sea el dispositivo.

**§ 4. Procedimiento de reclamación**

1. Las reclamaciones sujetas a estos Términos y Condiciones de Garantía deberán presentarse por el usuario directamente al Fabricante.
2. Todos los servicios de garantía se realizarán dentro de 14 días laborales siguientes a la fecha de presentación de la reclamación. En casos excepcionales, este plazo podrá ser prolongado, en particular cuando el defecto no sea permanente y su determinación requiera un diagnóstico extendido o cuando para realizar los servicios de garantía se requiera conseguir piezas o subconjuntos de un subproveedor.
3. Con respecto a los servicios de garantía, el usuario se compromete a:
  - permitir el pleno acceso a los espacios donde se encuentran instalados los dispositivos y proporcionar herramientas necesarias que permitan el acceso directo al propio dispositivo (elevador, andamio, etc.) para que se puedan realizar los servicios de garantía,
  - presentar la Tarjeta de Garantía original y una factura IVA que confirme la compra del dispositivo,
  - garantizar la seguridad laboral durante la prestación de los servicios de garantía,
  - garantizar el inicio del trabajo inmediatamente después de la llegada del personal de servicio.
4. Para notificar un defecto cubierto por la garantía, es necesario enviar los siguientes documentos a la dirección del fabricante:
  - a. formulario de reclamación correctamente relleno, disponible en el sitio web [www.sonniger.com](http://www.sonniger.com),
  - b. copia de la Tarjeta de Garantía debidamente rellena,
  - c. copia del informe de primera puesta en marcha y de la inspección de garantía,
  - d. copia de la factura de venta.
5. Los trabajos de reparación, incluido el reemplazo de las piezas, se realizarán de forma gratuita solo si un representante del servicio autorizado de SONNIGER considere que el defecto o mal funcionamiento del dispositivo ha sido causado por una falla del dispositivo o del fabricante.
6. Serán a cargo del reclamante todos los costes (reparación, viaje, repuestos) incurridos debido a una reclamación injustificada, especialmente si un representante del servicio autorizado de SONNIGER encuentre que el defecto ha sido causado por el incumplimiento con las instrucciones contenidas en la Documentación de Operación y Mantenimiento o si haya ocurrido alguna de las situaciones descritas en el § 2 (Exclusiones de la garantía).
7. El reclamante estará obligado a confirmar por escrito la realización de los servicios de garantía.
8. SONNIGER tendrá derecho a negarse a realizar los servicios de garantía en caso de que SONNIGER no haya recibido el pago completo por el dispositivo reclamado o por los servicios anteriores.



## MANUALE TECNICO DI INSTALLAZIONE, USO E MANUTENZIONE

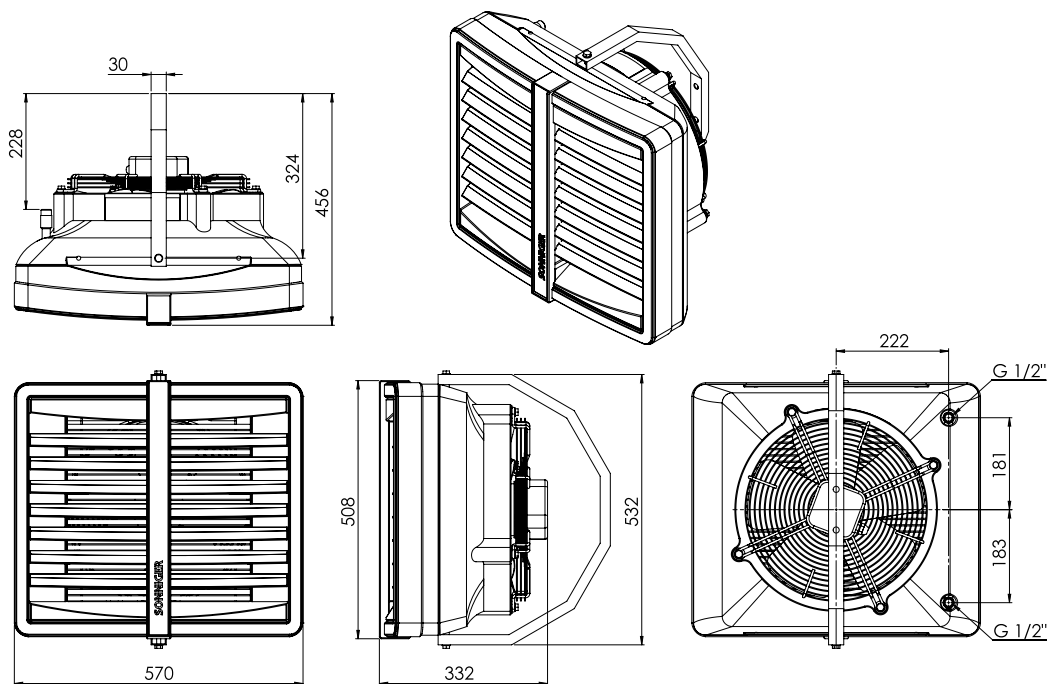


 **SONNIGER**  
HEATING PARTNERS

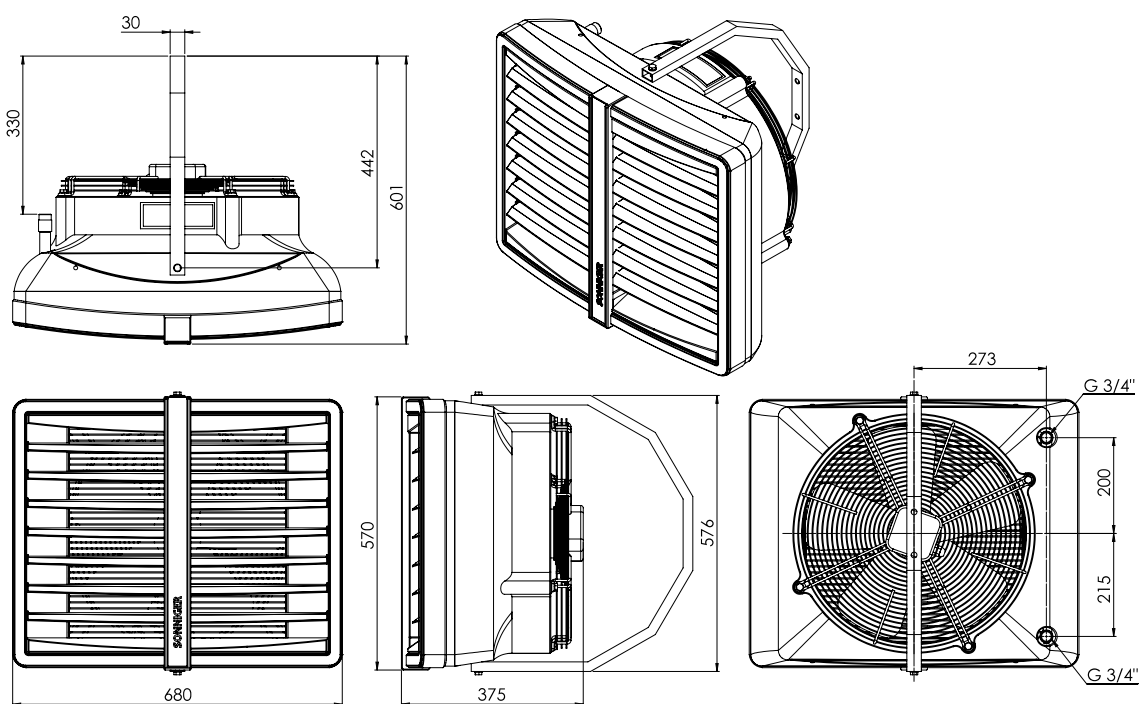
## 1. INTRODUZIONE

I dispositivi di riscaldamento e ventilazione HEATER CONDENS sono progettati per essere applicati in edifici di piccole e medie dimensioni, soprattutto per ambienti di produzione e magazzini, showroom di autosaloni e stazioni di servizio, centri sportivi e stadi, edifici di culto e chiese, negozi e outlet, aziende agricole e superfici espositive. I modelli HEATER CONDENS sono soluzioni speciali dedicate ai collegamenti a sorgenti a bassa temperatura di mandata dell'acqua in riscaldamento (es. caldaie a condensazione, pompe di calore industriali). I principali vantaggi dei modelli HEATER CONDENS sono: maggiore temperatura dell'aria in uscita generata da minori temperature delle mandate (rispetto ai modelli precedenti); massimo sfruttamento della superficie di scambio termico; nuova geometria della batteria (dimensioni alette migliorate e ravvicinate), scarico dell'aria ottimizzato con alte temperature ad ogni velocità del ventilatore.

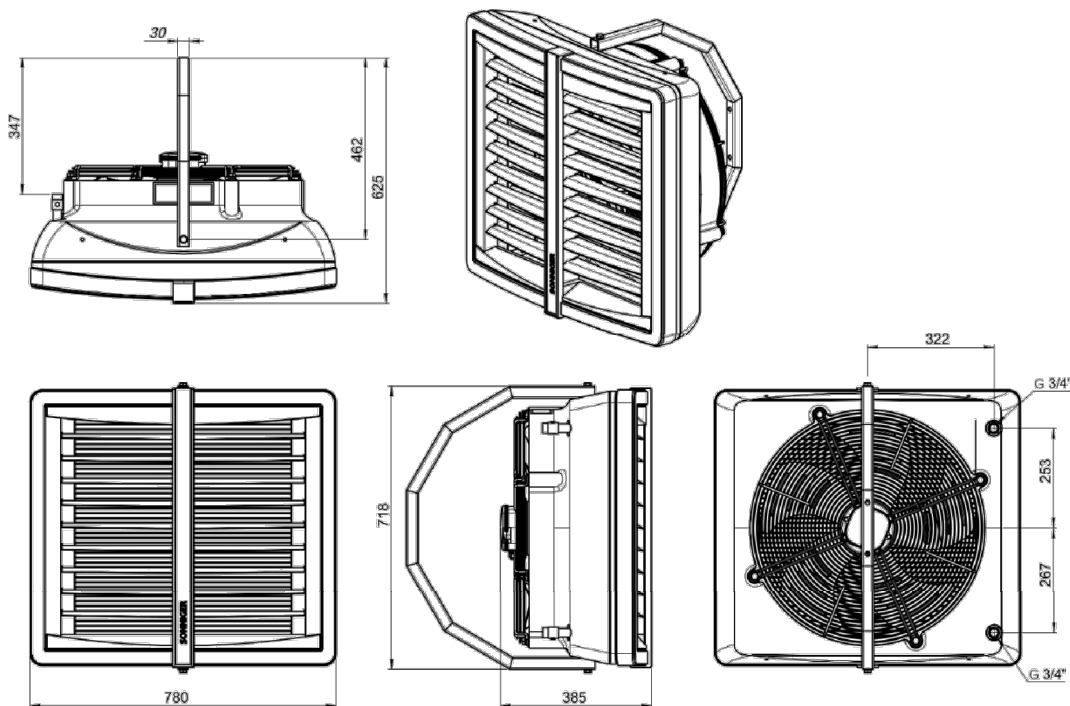
## 2. DIMENSIONI E PARAMETRI TECNICI DI BASE HEATER CONDENS CR ONE



## DIMENSIONI E PARAMETRI TECNICI DI BASE HEATER CONDENS CR1, CR2, CR3, MIX1



**DIMENSIONI E PARAMETRI TECNICI DI BASE HEATER CONDENS CR2 MAX, CR3 MAX, CR4 MAX, MIX2**



**Elementi di base dei dispositivi di riscaldamento HEATER CONDENS:**

- ▮ Involucro esterno in materiale EPP altamente resistente (polipropilene espanso)
- ▮ Alette direzionali in materiale plastico per l'orientamento dell'aria in uscita
- ▮ Ventilatore assiale a 3 stadi da 350 mm, 450 mm, 550mm; l'accesso diretto agli elementi rotanti della ventola è protetto con rete di sicurezza.
- ▮ Scambiatore di calore (Cu/AL) con tubi di rame in blocco scambiatore lamellare in alluminio con tronchetti di raccordo ed ugelli da 1/2", 3/4". I tronchetti sono dotati di valvole per lo sfiato d'aria e di scarico del fluido termovettore.

PARAMETRI TECNICI	HEATER CONDENS								DESTRATIFICATORI	
		CR ONE	CR1	CR2	CR3	CR2 MAX	CR3 MAX	CR4 MAX	MIX 1	MIX 2
Gamma Potenza Termica*	kW	5-25	10-35	15-50	20-70	25-70	35-95	40-120	-	-
Potenza termica (90/70 °C) / Δt Aumento temperatura aria**	kW / °C	19 kW/35°C	23 kW/18°C	39 kW/33°C	50 kW/48°C	55 kW/30°C	74 kW/49°C	94 kW/60°C	-	-
Potenza termica (70/50 °C) / Δt Aumento temperatura aria**	kW / °C	13 kW/25°C	16 kW/13°C	26 kW/22°C	35 kW/34°C	40 kW/22°C	53 kW/35°C	68 kW/44°C	-	-
Potenza termica (50/30 °C) / Δt Aumento temperatura aria**	kW / °C	7 kW/15°C	9 kW/8°C	13 kW/11°C	20 kW/20°C	25 kW/14°C	32 kW/21°C	42 kW/27°C	-	-
Portata Aria max	m³/h	1 600	3 900	3 350	2 950	5 700	5 600	5 100	4 800	7 200
Livello rumorosità I / II / III velocità****	dB (A)	35/46/52	44/52/62	41/50/60	39/48/60	41/50/59	40/48/58	40/48/58	36/44/54	31/42/49
N. di ranghi	-	2	1	2	3	2	3	3	-	-
Pressione operativa max	MPa	1,6		1,6			1,6		-	-
Lancio Aria max*****	m	14	24	21	19	26	25	23	13***	16***
Diametro ugelli di collegamento	inch	1/2"		3/4"			3/4"		-	-
Alimentazione	V/Hz	230/50 0,58A		230/50 1,08A			230/50 2,2A		230/50 1,08A	230/50 2,2A
Potenza motore	W	124		250			520		250	520
Velocità motore	turn/min	1400		1350			1380		1350	1380
Grado di protezione IP	-	IP 54		IP 54			IP 54		IP 54	IP 54
Peso senza acqua / con acqua	kg	9,6/10,7	10,8/11,9	12,7/14,8	14,5/16,9	23,6/25,2	25,2/27,4	25,5/28	9,2	15,8

\* Gamma potenze termiche con temperature acqua 50/30°C - 120/90°C aria in ingresso 0°C, massima velocità di ventilazione.

\*\* Relativamente alla temperatura aria in ingresso di 0°C

\*\*\* Massima altezza di installazione per flusso d'aria verticale, campo massimo di impiego fino a 380m² per il modello MIX1 e fino a 450m² per il modello MIX2.

\*\*\*\* Misurazione ottenuta a 5 m di distanza dal dispositivo.

\*\*\*\*\* Flusso isotermico orizzontale alla velocità di 0,5m/s

### 3. INFORMAZIONI GENERALI

I dispositivi di riscaldamento e ventilazione HEATER CONDENS sono fabbricati in conformità con le norme e gli standard relativi a qualità, ecologia, utilità e comfort di lavoro.

I dispositivi di riscaldamento e ventilazione HEATER CONDENS vengono consegnati pronti all'uso in un imballo di cartone che protegge da eventuali danni meccanici. Il collo comprende: il dispositivo, il manuale (documentazione d'uso e manutenzione) e la garanzia. Se è stato ordinato il controllo automatico opzionale, questo sarà consegnato in un collo separato. Verificare che tutti gli elementi sopra menzionati siano nella confezione al momento della consegna. Qualora mancasse un elemento qualsiasi, si prega di compilare lo specifico documento del corriere.

#### ATTENZIONE!

- ① Prima di montare il dispositivo, leggere attentamente il manuale e rispettare le regole relative alle procedure di montaggio. La mancata applicazione delle regole può comportare il funzionamento inappropriato del dispositivo e la perdita della copertura prevista dalla garanzia.
- ① Prestare particolare attenzione quando si lavora con gli elementi elettrici del dispositivo.
- ① Eventuali operazioni di installazione devono essere effettuate da personale qualificato con le autorizzazioni idonee.

### 4. MONTAGGIO

Prima di eventuali procedure di installazione, prendere in considerazione quanto segue: facile accesso per lavori di manutenzione, accesso all'impianto idrico ed elettrico, distribuzione appropriata dell'aria nell'ambiente.

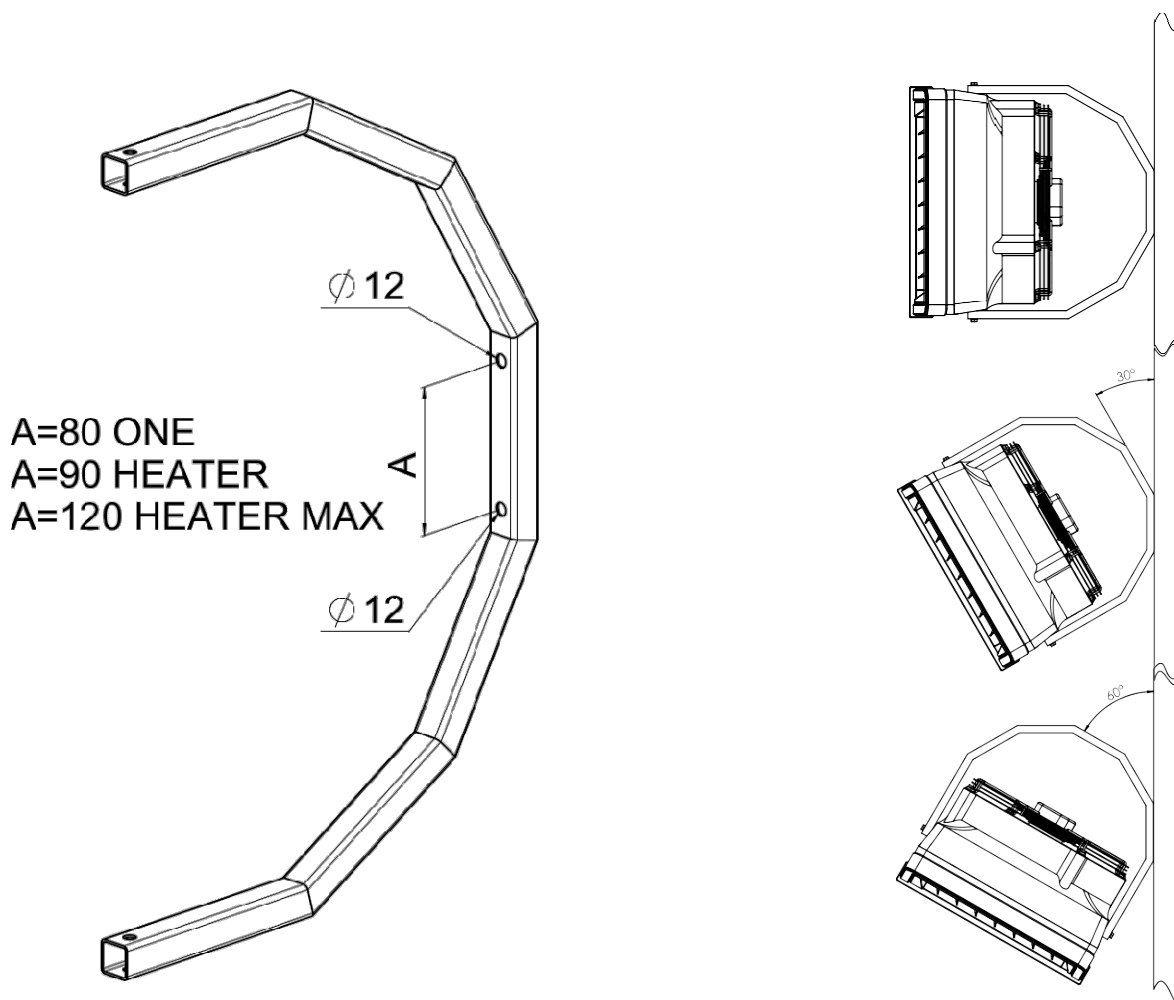
Ogni unità HEATER CONDENS è equipaggiata con un set di 2 inserti con colori intercambiabili; al fine di modificare il colore, rimuovere l'inserto dal pannello anteriore e mettere il colore desiderato.

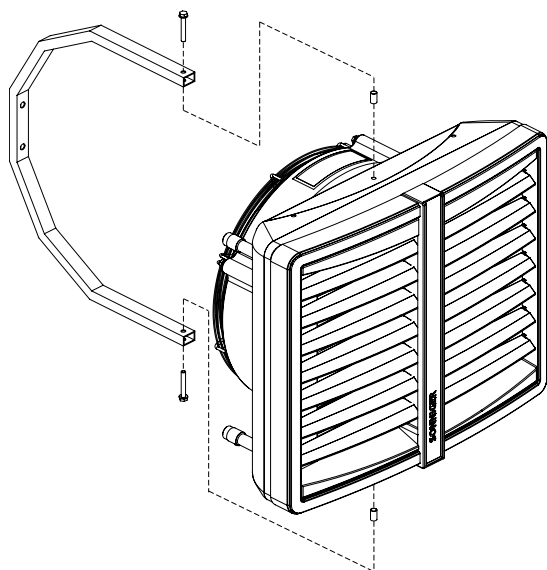
Si consiglia di montare il dispositivo alla parete o al soffitto su supporti di montaggio originali, perni di montaggio (non forniti con il dispositivo) o strutture di supporto (le forme e le dimensioni della struttura di supporto possono essere progettate individualmente in conformità con i requisiti di durata e resistenza).

In caso di montaggio a soffitto, prestare attenzione al fatto che il rilascio dell'aria/sfiato del dispositivo potrebbero essere difficili, per cui si consiglia di collocare lo sfiato in corrispondenza del punto più alto delle tubazioni.

Il dispositivo può essere montato a parete con l'utilizzo di una staffa di fissaggio con un angolo di 0°, 30° o 60°. La staffa di supporto e montaggio è realizzata a profilo curvo. È dotata di due fori per il montaggio verticale.

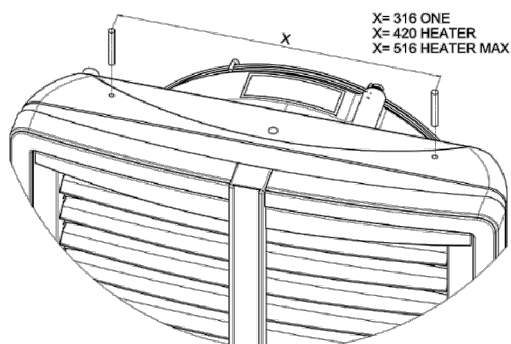
Il montaggio a parete e/o a soffitto è possibile con angoli diversi, ma richiede che siano realizzati dei fori nel supporto.





#### Montaggio staffa dell'aerotermo

Il set staffa è composto da: un supporto, due manicotti, due viti M8 e rondelle. Per poter montare la staffa, praticare due fori da Ø12-13mm in punti visibili sull'involucro. Inserire i manicotti nei fori praticati col trapano e collocare la staffa all'interno. Il supporto incluso deve essere avvitato con le viti M8 e le rondelle.



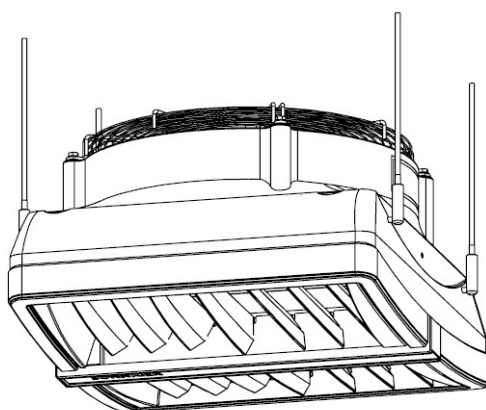
#### Installazione dei perni di fissaggio

Per montare l'aerotermo al soffitto, utilizzare i perni di fissaggio M8. Praticare due fori da Ø8-9mm in punti visibili sull'involucro. I perni di fissaggio possono essere avvitati al telaio a non più di 20 mm di profondità.

### ATTENZIONE!

ⓘ Durante la foratura nei punti indicati prestare attenzione a non danneggiare lo scambiatore interno, entrando internamente per più di 20mm!

#### Montaggio del miscelatore d'aria HEATER MIX



Per montare il miscelatore d'aria HEATER CONDENS MIX al soffitto, utilizzare i perni di fissaggio M8. Praticare due fori da Ø8-9mm in punti visibili sull'involucro. I perni di fissaggio possono essere avvitati al telaio di uno scambiatore di calore a non più di 20 mm di profondità. I perni di fissaggio e gli elementi di connessione non sono inclusi nell'unità.

### NOTA!

ⓘ Per il corretto funzionamento del dispositivo, mantenere una distanza di sicurezza - 200 mm sui lati e 300 mm sul retro (dalla ventola)



## 5. COLLEGAMENTO ELETTRICO

L'impianto elettrico e il collegamento all'alimentazione elettrica devono essere eseguiti in conformità con le normative e gli standard in vigore per l'edilizia.

Il motore del ventilatore è dotato di un fusibile con limite di temperatura interna per proteggerlo dal surriscaldamento.

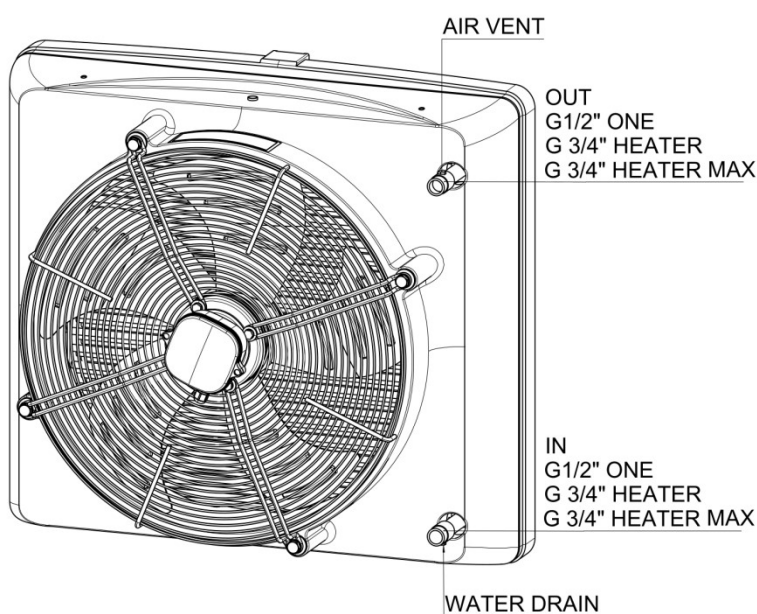
Il set non comprende: cavo di alimentazione e interruttore principale (vedere lo schema)

L'impianto elettrico deve essere eseguito da un tecnico autorizzato, a conoscenza dei contenuti del manuale. Il collegamento del cavo di alimentazione e dell'interruttore principale deve essere conforme allo schema elettrico (con o senza controllo automatico a seconda dell'opzione scelta). Tutti i danni subiti come conseguenza delle suddette cause non vengono coperti dalla garanzia e all'utente verrà addebitato il costo della sostituzione di dispositivo. Il collegamento del comando automatico deve essere effettuato in conformità con lo schema elettrico.

In caso di dubbi o problemi, scollegare il dispositivo e contattare l'installatore. SONNIGER è a disposizione per il supporto tecnico all'installatore.

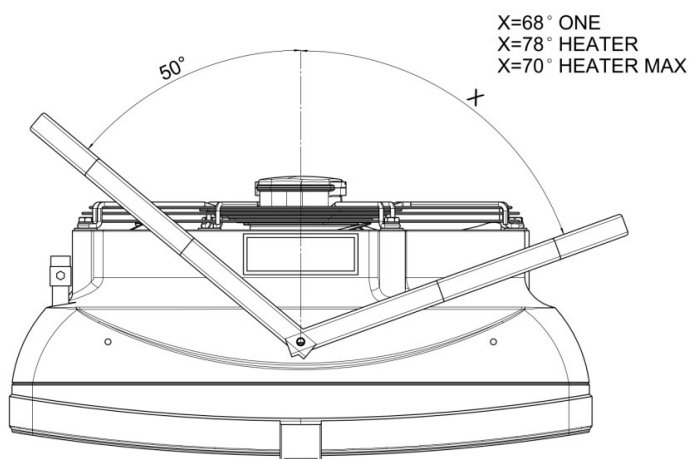
## 6. IMPIANTO IDRICO

L'impianto dell'unità deve essere tale da consentire la relativa manutenzione; su entrambi i tubi a raccordo devono essere installate delle valvole di chiusura manuale in modo da sezionare il dispositivo. I tubi di alimentazione dell'aerotermo devono essere collegati conformemente ai simboli/marcatura sull'involucro (ingresso/uscita). In caso di valvola elettromagnetica (con l'opzione comando automatico) questa va installata sull'uscita, altrimenti si può danneggiare. **Quando la tubazione viene collegata tenere fermo con la chiave il tronchetto sullo scambiatore mentre viene avvitato il dado della coppia oscillante (vedere la figura) perché se il tronchetto non viene tenuto serrato la torsione potrebbe causare perdite nello scambiatore di calore.**



### Scambiatore del fluido termovettore

Le tubazioni con raccordi sono sul retro del dispositivo. Quando si collegano i tubi/raccordi idraulici, assicurarsi che le tubazioni di collegamento non subiscano torsioni. Le tubazioni di collegamento devono essere fissate e non gravare sulle giunzioni sullo scambiatore. **Si noti che le connessioni dell'aerotermo non devono subire flessioni dovute al carico del peso delle tubazioni connesse.** La valvola di sfogo/scarico del fluido termovettore è sulla tubazione di alimentazione e la valvola di sfiato aria si trova sul tubo di ritorno.



Utilizzare connessioni flessibili per consentire all'aerotermo di girare sui lati. A seconda delle connessioni flessibili, la rotazione massima è di 70° per i modelli HEATER CONDENS MAX, di 78° per i modelli HEATER CONDENS CR, di 68° per i modelli HEATER CONDENS ONE su entrambi i lati. La figura mostra l'angolo "X" massimo su un lato e l'angolo di 50° sull'altro lato per la distanza minima dalle connessioni.

## 7. CONTROLLO - INSTALLAZIONE

È possibile utilizzare un set di strumenti di controllo (230V) che consiste in:

- ☛ Pannello COMFORT NEW che include termostato ambiente analogico e interruttore per la regolazione di 3 velocità del ventilatore. Un pannello COMFORT può regolare fino a 6 unità di HEATER CONDENS ONE, fino a 3 unità di HEATER CONDENS CR1/2/3 oppure fino a 2 unità di HEATER CONDENS MAX.
- ☛ Valvola idraulica a 2 vie con attuatore; la valvola deve essere installata sul ritorno dell'aerotermo.
- ☛ Pannello di controllo elettronico digitale touch screen INTELLIGENT WIFI con sistema automatico di regolazione delle velocità, programma settimanale e comunicazione BMS. Un pannello INTELLIGENT WIFI può regolare fino a 4 unità di HEATER CONDENS CR ONE, fino a 2 unità di HEATER CONDENS CR1/2/3 oppure una singola unità di HEATER MAX.
- ☛ Splitter MULTI 6 che consiste in un ripartitore per controllo fino a 12 unità di HEATER CONDENS ONE oppure fino a 6 unità di HEATER CONDENS o HEATER CONDENS MAX, da un pannello COMFORT o INTELLIGENT ECO.

Il sistema è pronto per l'avvio una volta che il termostato e l'attuatore della valvola sono collegati, l'alimentazione 230V viene fornita al termostato e il motore della ventola è alimentato dal pannello di controllo delle velocità.



### Descrizione pannello COMFORT

**OFF-I-II-III** - Interruttore di spegnimento e regolazione delle velocità di ventilazione;

**HEAT - RISCALDAMENTO** – Se la temperatura ambiente è al di sotto di quella impostata, il termostato dà il segnale di funzionamento all'attuatore e al ventilatore, il ventilatore si spegne al raggiungimento della temperatura impostata e la valvola chiude l'alimentazione dell'acqua;

**FAN - VENTILAZIONE** - funzionamento del ventilatore in base al termostato, le valvole non funzionano;

**COOL - FREDDO** – Se la temperatura ambiente è al di sopra di quella impostata, il termostato dà il segnale di funzionamento all'attuatore e al ventilatore, il ventilatore si spegne al raggiungimento della temperatura impostata e la valvola chiude l'alimentazione dell'acqua

## 8. PRIMO AVVIO

Effettuare tutti i collegamenti (elettrici, idrici e controllo automatico), controllare la tenuta di tutti i collegamenti eseguiti da un installatore e il dispositivo rilascio/sfiato aria, poi avviare il dispositivo secondo la sequenza seguente:

- 8.1. Accendere l'alimentazione,
- 8.2. Impostare la velocità richiesta del ventilatore sul pannello di controllo delle velocità,
- 8.3. Impostare la temperatura richiesta sul termostato.

Nota Bene: il ventilatore è in funzione indipendentemente dall'apertura della valvola.

## 9. SPEGNIMENTO

Per spegnere il dispositivo effettuare le seguenti operazioni:

- 9.1. Impostate la temperatura minima sul termostato - dopo 7 secondi la valvola verrà chiusa e il riscaldamento si spegnerà.
- 9.2. Impostare l'interruttore principale in posizione "0" (off); la ventola verrà disattivata e il termostato sarà spento.

## 10. FUNZIONAMENTO

Il motore e la ventola utilizzati nell'unità HEATER CONDENS sono esenti da manutenzione ma si raccomanda un check-up regolare; soprattutto il motore e il cuscinetto (il rotore della ventola deve poter ruotare liberamente, senza spostamenti assiali e radiali e urti/vibrazioni indesiderati).

### NOTA!

- ❗ Nel caso di rumore metallico, vibrazioni o aumento del livello sonoro controllare se il montaggio/fissaggio della ventola sono allentati e contattare l'installatore. SONNIGER è a disposizione per il supporto tecnico all'installatore.

## 11. MANUTENZIONE

Lo scambiatore di calore richiede la pulizia sistematica di tutte le impurità. Prima dell'inizio del periodo di riscaldamento, si raccomanda di pulire lo scambiatore di calore con aria compressa diretta alle bocchette; non vi è alcuna necessità di smontare il dispositivo. Prestare particolare attenzione durante la pulizia delle alette dello scambiatore a causa dell'elevata possibilità di danneggiamento delle stesse. Se le alette sono piegate, utilizzare un attrezzo specifico per effettuare tali riparazioni. Se il dispositivo non è stato utilizzato per un lungo periodo di tempo, scollegarlo prima del successivo utilizzo.

Lo scambiatore di calore non è dotato di alcuna protezione antigelo. Lo scambiatore di calore si danneggia se la temperatura ambiente scende al di sotto di 0°C.

Del liquido antigelo deve essere aggiunto al circuito idraulico di ricircolo. Il liquido antigelo deve essere idoneo al materiale dello scambiatore (rame), nonché agli altri elementi dell'impianto idraulico di ricircolo. Il liquido deve essere diluito con acqua secondo la soluzione raccomandata dal produttore del liquido stesso.

12. PARAMETRI TECNICI HEATER CONDENS

**HEATER CONDENS CR ONE**

Temp. Acqua mand./rit.		50/30					60/40					70/50					80/60					90/70					120/90				
Temp. Aria ingresso		0	5	10	15	20	0	5	10	15	20	0	5	10	15	20	0	5	10	15	20	0	5	10	15	20	0	5	10	15	20
		<b>Flusso dell'aria 1600 m³/h (velocità 3)</b>																													
Pot. Termica	kW	6,7	5,6	4,6	3,4	1,8	9,7	8,6	7,5	6,3	5,2	12,5	11,4	10,2	9,1	7,9	15,6	14,4	13,2	12,0	10,8	18,7	17,5	16,2	15,0	13,8	25,7	24,4	23,1	21,8	20,5
Temp. Aria uscita	°C	14,4	16,7	19,0	21,1	22,2	19,8	22,2	24,7	27,1	29,4	24,9	27,4	29,9	32,3	34,8	29,9	32,4	35,0	37,5	40,0	35,0	37,5	40,1	42,6	45,2	46,4	49,0	51,6	54,1	56,6
Flusso Acqua	m³/h	0,4	0,3	0,3	0,2	0,1	0,5	0,4	0,4	0,3	0,3	0,6	0,6	0,5	0,4	0,4	0,7	0,7	0,6	0,6	0,5	0,9	0,8	0,7	0,7	0,6	0,8	0,7	0,7	0,6	0,6
Perdite di carico	kPa	5,0	3,6	2,5	1,5	0,5	8,0	6,5	5,0	3,7	2,6	11,5	9,7	8,0	6,5	5,1	15,4	13,3	11,4	9,6	8,0	19,6	17,4	15,2	13,2	11,3	14,7	13,4	12,2	11,0	9,8
		<b>Flusso dell'aria 1200 m³/h (velocità 2)</b>																													
Pot. Termica	kW	5,6	4,7	3,8	2,8	1,6	8,1	7,1	6,2	5,3	4,3	10,4	9,4	8,5	7,5	6,6	12,9	11,9	11,0	10,0	9,0	15,5	14,5	13,5	12,5	11,5	21,3	20,2	19,2	18,1	17,1
Temp. Aria uscita	°C	16,0	18,1	20,0	21,8	23,1	21,9	24,1	26,3	28,5	30,6	27,6	29,8	32,1	34,3	36,5	33,1	35,5	37,7	40,0	42,3	38,7	41,1	43,3	45,7	47,9	51,4	53,8	56,0	58,3	60,6
Flusso Acqua	m³/h	0,3	0,3	0,2	0,2	0,1	0,4	0,4	0,3	0,3	0,2	0,5	0,5	0,4	0,4	0,3	0,6	0,6	0,5	0,5	0,4	0,7	0,7	0,6	0,6	0,5	0,6	0,6	0,6	0,5	0,5
Perdite di carico	kPa	3,6	2,6	1,8	1,0	0,4	5,8	4,6	3,6	2,7	1,9	8,3	7,0	5,8	4,6	3,6	11,0	9,5	8,2	6,9	5,7	14,0	12,4	10,9	9,5	8,1	10,5	9,6	8,7	8,8	7,1
		<b>Flusso dell'aria 750 m³/h (velocità 1)</b>																													
Pot. Termica	kW	4,0	3,4	2,7	1,8	1,3	5,9	5,2	4,5	3,8	3,1	7,6	6,9	6,2	5,5	4,8	9,4	8,7	8,0	7,3	6,6	11,3	10,5	9,8	9,1	8,3	14,8	14,7	14,0	13,2	12,4
Temp. Aria uscita	°C	18,6	20,1	21,6	22,1	24,6	25,5	27,4	29,2	30,9	32,5	32,1	33,9	35,9	37,7	39,4	38,6	40,4	42,4	44,2	46,0	45,0	47,0	48,8	1,8	52,6	59,8	61,8	63,7	65,5	67,4
Flusso Acqua	m³/h	0,2	0,2	0,1	0,1	0,1	0,3	0,3	0,2	0,2	0,2	0,4	0,3	0,3	0,3	0,2	0,4	0,4	0,4	0,3	0,3	0,5	0,5	0,5	0,4	0,4	0,5	0,4	0,4	0,4	0,4
Perdite di carico	kPa	2,0	1,5	1,0	0,5	0,3	3,3	2,6	2,1	1,5	1,1	4,7	3,9	3,3	2,6	2,1	6,2	5,4	4,6	3,9	3,3	7,9	7,0	6,1	5,3	4,6	5,9	5,4	4,9	4,4	4,0

**HEATER CONDENS CR1**

Temp. Acqua mand./rit.		50/30					60/40					70/50					80/60					90/70					120/90				
Temp. Aria ingresso		0	5	10	15	20	0	5	10	15	20	0	5	10	15	20	0	5	10	15	20	0	5	10	15	20	0	5	10	15	20
		<b>Flusso dell'aria 3900 m³/h (velocità 3)</b>																													
Pot. Termica	kW	8,7	7,1	5,4	3,6	1,7	12,4	10,8	9,3	7,7	6,1	16,0	14,4	12,9	11,3	9,7	21,1	19,4	17,6	15,9	14,2	23,0	25,1	23,2	21,3	19,5	37,9	35,9	33,9	31,9	29,9
Temp. Aria uscita	°C	7,3	11,4	15,5	19,4	23,2	10,2	14,4	18,5	22,7	26,9	12,8	16,9	21,2	25,3	29,4	17,2	21,7	26,3	30,8	35,5	18,0	25,8	30,7	35,5	40,3	30,7	36,0	41,3	46,6	51,9
Flusso Acqua	m³/h	0,4	0,3	0,2	0,2	0,1	0,5	0,5	0,4	0,3	0,3	0,7	0,6	0,6	0,5	0,4	0,8	0,8	0,7	0,6	0,6	0,8	0,9	0,8	0,8	0,7	0,9	0,8	0,8	0,7	0,7
Perdite di carico	kPa	2,8	1,9	1,2	0,6	0,2	4,8	3,8	2,9	2,1	1,4	7,1	5,9	4,8	3,8	2,9	9,7	8,4	7,1	0,9	4,8	9,7	11,1	9,6	8,3	7,1	9,4	8,5	7,7	6,9	6,1
		<b>Flusso dell'aria 2500 m³/h (velocità 2)</b>																													
Pot. Termica	kW	6,7	5,5	4,2	2,1	1,5	9,7	8,5	7,2	6,0	4,7	12,5	11,3	10,0	8,8	7,6	16,4	15,1	13,8	12,4	11,1	21,0	19,5	18,1	16,6	15,2	29,6	28,0	26,5	24,9	23,4
Temp. Aria uscita	°C	8,8	12,6	16,3	19,2	23,8	12,4	16,3	20,2	24,1	28,0	15,6	19,5	23,3	27,2	31,1	20,9	25,2	29,4	33,7	38,0	25,6	30,1	34,6	39,0	43,6	37,4	42,3	47,3	52,2	57,3
Flusso Acqua	m³/h	0,3	0,2	0,2	0,1	0,1	0,4	0,4	0,3	0,3	0,2	0,5	0,5	0,4	0,4	0,3	0,7	0,6	0,5	0,5	0,4	0,8	0,7	0,7	0,6	0,6	0,7	0,6	0,6	0,6	0,5
Perdite di carico	kPa	1,8	1,2	0,8	0,2	0,1	3,1	2,4	1,9	1,3	0,9	4,6	3,8	3,1	2,5	1,9	6,3	5,4	4,6	3,8	3,1	8,0	7,1	6,2	5,3	4,5	6,0	5,5	4,9	4,4	4,0
		<b>Flusso dell'aria 1850 m³/h (velocità 1)</b>																													
Pot. Termica	kW	5,6	4,5	3,4	2,0	1,4	8,1	7,1	6,1	5,0	3,9	10,5	9,5	8,4	7,4	6,4	13,8	12,7	11,6	10,4	9,3	17,6	16,4	15,2	14,0	12,8	24,8	23,5	22,2	20,9	19,6
Temp. Aria uscita	°C	9,9	13,5	16,9	19,8	24,3	14,0	17,8	21,5	25,1	28,6	17,7	21,4	25,1	28,7	32,3	11,6	27,7	31,8	35,8	39,8	29,0	33,2	37,5	41,8	45,9	42,3	47,0	51,8	56,4	61,2
Flusso Acqua	m³/h	0,3	0,2	0,2	0,1	0,1	0,4	0,3	0,3	0,2	0,2	0,5	0,4	0,4	0,3	0,3	0,5	0,5	0,5	0,4	0,4	0,6	0,6	0,6	0,5	0,5	0,6	0,5	0,5	0,5	0,4
Perdite di carico	kPa	1,3	0,9	0,5	0,2	0,1	2,3	1,8	1,4	1,0	0,6	3,4	2,8	2,3	1,8	1,4	4,6	3,9	3,3	2,8	2,3	5,9	5,2	4,5	3,9	3,3	4,4	4,0	3,6	3,2	2,9

**HEATER CONDENS CR2**

Temp. Acqua mand./rit.		50/30					60/40					70/50					80/60					90/70					120/90				
Temp. Aria ingresso		0	5	10	15	20	0	5	10	15	20	0	5	10	15	20	0	5	10	15	20	0	5	10	15	20	0	5	10	15	20
		<b>Flusso dell'aria 3350 m³/h (velocità 3)</b>																													
Pot. Termica	kW	12,5	10,5	8,4	6,1	2,8	19,6	17,3	15,0	12,6	10,2	26,2	23,7	21,3	18,8	16,3	32,5	30,0	27,5	24,9	22,4	39,3	36,7	34,0	31,4	28,8	53,4	50,7	48,0	45,3	42,6
Temp. Aria uscita	°C	10,7	12,6	14,6	16,4	17,3	8,0	19,0	21,2	23,5	25,8	22,1	24,6	27,1	29,5	32,0	27,2	29,7	32,2	34,8	37,3	32,4	35,0	37,6	40,2	42,7	45,0	47,6	50,4	53,1	55,9
Flusso Acqua	m³/h	0,7	0,6	0,5	0,3	0,2	1,0	0,8	0,7	0,6	0,5	1,2	1,1	1,0	0,9	0,8	1,5	1,3	1,2	1,1	1,0	1,7	1,6	1,5	1,4	1,2	1,5	1,4	1,3	1,3	1,2
Perdite di carico	kPa	4,4	3,2	2,1	1,2	0,3	7,2	5,8	4,4	3,3	2,2	10,5	8,8	7,2	5,8	4,5	14,1	12,2	10,4	8,8	7,2	18,2	16,0	14,0	12,1	10,4	13,6	12,4	11,2	10,1	9,0
		<b>Flusso dell'aria 2000 m³/h (velocità 2)</b>																													
Pot. Termica	kW	9,1	7,6	6,0	4,2	2,4	14,2	12,6	10,9	9,2	7,4	19,0	17,2	15,5	13,7	11,9	23,5	21,7	19,9	18,1	16,3	28,4	26,5	24,6	22,7	20,9	38,6	36,7	34,8	32,8	30,9
Temp. Aria uscita	°C	12,9	14,5	16,0	17,2	18,3	20,2	22,1	23,9	25,8	27,7	26,9	28,9	30,9	33,0	35,0	32,9	35,0	37,1	39,2	41,3	39,2	41,4	43,5	45,6	47,8	54,5	56,7	59,0	61,2	63,4
Flusso Acqua	m³/h	0,5	0,4	0,3	0,2	0,1	0,7	0,6	0,5	0,4	0,4	0,9	0,8	0,7	0,6	0,5	1,1	1,0	0,9	0,8	0,7	1,2	1,1	1,1	1,0	0,9	1,1	1,0	1,0	0,9	0,9
Perdite di carico	kPa	2,5	1,8	1,2	0,6	0,2	4,1	3,3	2,5	1,9	1,3	5,9	4,9	4,1	3,3	2,6	7,9	6,8	5,8	4,9	4,1	10,1	8,9	7,8	6,8	5,8	7,6	6,9	6,3	5,7	5,1
		<b>Flusso dell'aria 1450 m³/h (velocità 1)</b>																													
Pot. Termica	kW	7,3	6,1	4,8	2,9	2,1	11,5	10,2	8,8	7,4	6,0	15,3	13,9	12,5	11,1	9,6	19,0	17,5	16,1	14,6	13,2	22,9	21,4	19,9	18,4	16,9	31,2	29,6	28,1	26,5	25,0
Temp. Aria uscita	°C	14,4	15,7	16,8	16,9	19,1	22,5	24,1	25,8	27,3	28,8	29,9	31,7	33,5	35,2	37,0	36,6	38,4	40,2	42,1	43,9	43,5	45,4	47,3	49,2	51,1	60,6	62,5	64,6	66,5	68,4
Flusso Acqua	m³/h	0,4	0,3	0,3	0,2	0,1	0,6	0,5	0,4	0,4	0,3	0,7	0,6	0,6	0,5	0,4	0,8	0,8	0,7	0,7	0,6	1,0	0,9	0,9	0,8	0,7	0,9	0,8	0,8	0,7	0,7
Perdite di carico	kPa	1,7	1,2	0,8	0,3	0,2	2,8	2,2	1,7	1,3	0,9	4,0	3,4	2,8	2,2	1,8	5,4	4,7	4,0	3,4	2,8	6,9	6,1	5,3	4,6	4,0	5,2	4,7	4,3	3,9	3,5

**HEATER CONDENS CR3**

Temp. Acqua mand./rit.		50/30					60/40					70/50					80/60					90/70					120/90				
Temp. Aria ingresso		0	5	10	15	20	0	5	10	15	20	0	5	10	15	20	0	5	10	15	20	0	5	10	15	20	0	5	10	15	20
		<b>Flusso dell'aria 2950 m³/h (velocità 3)</b>																													
Pot. Termica	kW	20,0	17,0	14,0	10,																										

**Documentazione tecnica aerotermo ventilante ad acqua HEATER CONDENS v202301**

**HEATER CONDENS CR2 MAX**

Temp. Acqua mand./rit.		50/30					60/40					70/50					80/60					90/70					120/90				
Temp. Aria ingresso		0	5	10	15	20	0	5	10	15	20	0	5	10	15	20	0	5	10	15	20	0	5	10	15	20	0	5	10	15	20
<b>Flusso dell'aria 5700 m³/h (velocità 3)</b>																															
Pot. Termica	kW	24,5	20,5	16,5	12,3	7,5	32,2	28,3	24,5	20,6	16,7	39,7	35,9	32,0	28,3	24,5	47,5	43,6	39,8	36,0	32,2	55,0	51,1	47,2	43,4	39,6	72,4	68,5	64,5	60,6	56,8
Temp. Aria uscita	°C	13,7	16,8	19,8	22,7	25,0	18,0	21,1	24,2	27,3	30,2	22,3	25,5	28,6	31,7	34,8	26,0	29,2	32,3	35,4	38,4	30,1	33,3	36,4	39,5	42,6	39,3	42,6	45,9	49,1	52,2
Flusso Acqua	m³/h	0,8	0,6	0,5	0,4	0,2	1,0	0,9	0,8	0,7	0,5	1,3	1,2	1,0	0,9	0,8	1,5	1,4	1,3	1,2	1,0	1,8	1,7	1,5	1,4	1,3	1,6	1,5	1,4	1,3	1,3
Perdite di carico	kPa	3,5	2,5	1,7	0,9	0,3	5,8	4,6	3,5	2,6	1,8	8,4	7,0	5,7	4,5	3,5	11,3	9,7	8,2	6,8	5,6	14,5	12,7	11,0	9,4	8,0	10,9	9,8	8,8	7,9	7,0
<b>Flusso dell'aria 3900 m³/h (velocità 2)</b>																															
Pot. Termica	kW	19,6	16,4	13,1	9,7	4,4	25,7	22,6	19,5	16,5	13,4	31,7	28,6	25,6	22,6	19,6	37,8	34,7	31,7	28,7	25,7	43,7	40,6	37,6	34,5	31,5	57,4	54,3	51,1	48,0	45,0
Temp. Aria uscita	°C	15,9	18,6	21,3	23,7	24,4	20,9	23,7	26,6	29,2	31,8	25,9	28,8	31,6	34,5	37,2	30,2	33,1	36,0	38,7	41,5	34,9	37,8	40,7	43,5	46,3	45,8	48,8	51,9	54,8	57,7
Flusso Acqua	m³/h	0,9	0,8	0,6	0,5	0,2	1,3	1,1	1,0	0,8	0,7	1,6	1,4	1,3	1,1	1,0	1,9	1,8	1,6	1,4	1,3	2,2	2,1	1,9	1,8	1,6	2,0	1,9	1,8	1,7	1,5
Perdite di carico	kPa	5,1	3,7	2,5	1,4	0,4	8,5	6,7	5,2	3,8	2,6	12,3	10,2	8,3	6,7	5,1	16,6	14,2	12,0	10,0	8,2	21,4	18,7	16,2	13,9	11,8	16,1	14,5	13,0	11,6	10,3
<b>Flusso dell'aria 2800 m³/h (velocità 1)</b>																															
Pot. Termica	kW	15,9	13,3	10,6	7,7	4,0	20,9	18,4	15,9	13,4	10,8	25,6	23,2	20,7	18,3	15,9	30,6	28,1	25,6	23,2	20,8	35,3	32,8	30,4	27,9	25,5	46,5	43,9	41,3	38,9	36,4
Temp. Aria uscita	°C	18,0	20,4	22,7	24,5	25,4	23,6	26,2	28,7	31,0	33,3	29,2	31,9	34,5	37,0	39,4	34,0	36,8	39,3	41,8	44,2	39,3	42,0	44,6	47,1	49,7	51,5	54,5	57,2	59,9	62,5
Flusso Acqua	m³/h	0,8	0,6	0,5	0,4	0,2	1,0	0,9	0,8	0,7	0,5	1,3	1,2	1,0	0,9	0,8	1,5	1,4	1,3	1,2	1,0	1,8	1,7	1,5	1,4	1,3	1,6	1,5	1,4	1,3	1,3
Perdite di carico	kPa	3,5	2,5	1,7	0,9	0,3	5,8	4,6	3,5	2,6	1,8	8,4	7,0	5,7	4,5	3,5	11,3	9,7	8,2	6,8	5,6	14,5	12,7	11,0	9,4	8,0	10,9	9,8	8,8	7,9	7,0

**HEATER CONDENS CR3 MAX**

Temp. Acqua mand./rit.		50/30					60/40					70/50					80/60					90/70					120/90				
Temp. Aria ingresso		0	5	10	15	20	0	5	10	15	20	0	5	10	15	20	0	5	10	15	20	0	5	10	15	20	0	5	10	15	20
<b>Flusso dell'aria 5600 m³/h (velocità 3)</b>																															
Pot. Termica	kW	31,9	27,0	22,2	17,2	11,8	41,6	36,8	32,0	27,3	22,5	53,0	48,0	43,1	38,2	33,3	61,9	57,0	52,1	47,3	42,5	74,2	69,0	63,9	58,9	53,9	96,6	91,4	86,3	81,2	76,2
Temp. Aria uscita	°C	20,9	24,8	28,4	31,9	35,1	27,3	31,4	35,5	39,3	43,2	35,0	39,3	43,3	47,4	51,3	41,0	45,5	49,9	54,1	58,2	49,1	53,5	57,9	62,2	66,4	63,2	68,1	72,6	77,2	81,8
Flusso Acqua	m³/h	1,4	1,2	0,9	0,7	0,5	1,7	1,5	1,3	1,1	0,9	2,2	2,0	1,8	1,6	1,4	2,6	2,4	2,2	2,0	1,8	3,1	2,8	2,6	2,4	2,2	2,6	2,5	2,4	2,2	2,1
Perdite di carico	kPa	10,5	7,8	5,4	3,4	1,7	15,9	12,7	9,9	7,4	5,2	23,7	19,8	16,3	13,1	10,2	30,1	25,9	22,0	18,4	15,2	40,3	35,3	30,7	26,5	22,5	28,9	26,1	23,5	21,0	18,7
<b>Flusso dell'aria 3800 m³/h (velocità 2)</b>																															
Pot. Termica	kW	25,3	21,4	17,5	13,5	9,0	32,9	29,1	25,3	21,6	17,8	41,9	37,9	34,0	30,2	26,4	48,9	45,0	41,1	37,3	33,5	58,4	54,3	50,3	46,4	42,4	76,2	72,1	68,0	64,0	60,0
Temp. Aria uscita	°C	24,2	27,6	30,8	33,8	36,0	31,6	35,3	38,9	42,3	45,6	40,4	44,3	47,9	51,5	55,0	47,4	51,5	55,4	59,2	62,9	56,5	60,6	64,6	68,4	72,1	72,9	77,4	81,7	85,8	89,8
Flusso Acqua	m³/h	1,1	0,9	0,7	0,6	0,4	1,4	1,2	1,1	0,9	0,7	1,7	1,6	1,4	1,3	1,1	2,0	1,9	1,7	1,5	1,4	2,4	2,2	2,1	1,9	1,8	2,1	2,0	1,9	1,7	1,6
Perdite di carico	kPa	6,9	5,1	3,6	2,2	1,1	10,4	8,3	6,5	4,8	3,4	15,4	12,9	10,6	8,5	6,7	19,6	16,8	14,3	12,0	9,9	26,1	22,9	19,9	17,1	14,6	18,7	16,9	15,2	13,6	12,1
<b>Flusso dell'aria 2750 m³/h (velocità 1)</b>																															
Pot. Termica	kW	20,1	17,3	14,1	10,8	6,1	26,5	23,5	20,4	17,4	14,4	33,7	30,5	27,4	24,3	21,2	39,3	36,2	33,1	30,0	27,0	46,9	43,7	40,4	37,2	34,1	61,3	58,0	54,7	51,4	48,2
Temp. Aria uscita	°C	27,2	30,1	32,8	35,2	35,5	35,5	38,8	41,9	45,1	47,8	45,3	48,8	52,1	55,1	58,2	53,2	56,8	60,3	63,7	67,1	63,1	66,8	70,5	73,9	77,3	81,7	85,8	89,7	93,5	97,1
Flusso Acqua	m³/h	0,9	0,7	0,6	0,5	0,3	1,1	1,0	0,9	0,7	0,6	1,4	1,3	1,1	1,0	0,9	1,6	1,5	1,4	1,2	1,1	1,9	1,8	1,7	1,5	1,4	1,7	1,6	1,5	1,4	1,3
Perdite di carico	kPa	4,7	3,5	2,4	1,5	0,5	7,0	5,6	4,4	3,3	2,3	10,4	8,7	7,2	5,8	4,5	13,2	11,3	9,6	8,1	6,7	17,5	15,3	13,3	11,5	9,8	12,6	11,4	10,2	9,2	8,1

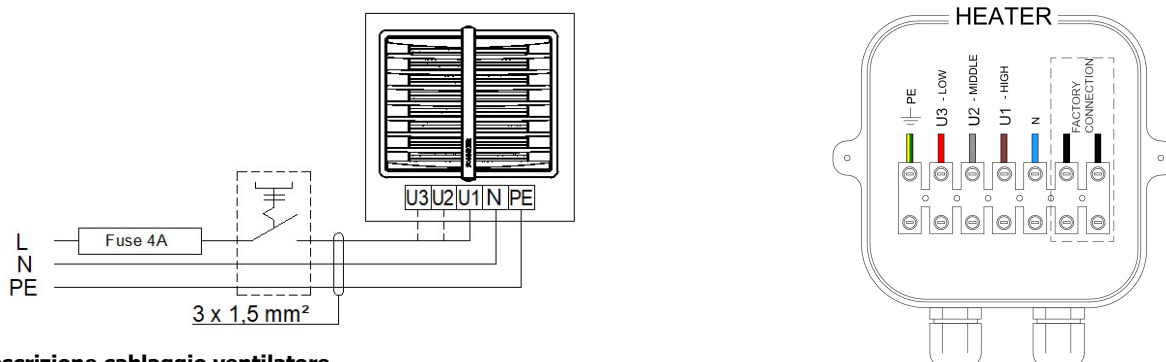
**HEATER CONDENS CR4 MAX**

Temp. Acqua mand./rit.		50/30					60/40					70/50					80/60					90/70					120/90				
Temp. Aria ingresso		0	5	10	15	20	0	5	10	15	20	0	5	10	15	20	0	5	10	15	20	0	5	10	15	20	0	5	10	15	20
<b>Flusso dell'aria 5100 m³/h (velocità 3)</b>																															
Pot. Termica	kW	42,1	35,7	29,3	22,9	16,0	54,1	47,9	41,7	35,5	29,3	68,3	61,9	55,5	49,2	42,9	79,5	73,1	66,8	60,6	54,4	93,9	87,3	80,8	74,4	68,0	121,6	115,0	108,4	101,9	95,5
Temp. Aria uscita	°C	26,9	29,8	32,6	35,3	37,6	34,7	38,1	41,2	44,3	47,1	44,1	47,5	50,6	53,8	56,8	51,0	54,5	57,9	61,2	64,5	60,1	63,6	67,0	70,4	73,5	78,0	81,8	85,5	89,2	92,6
Flusso Acqua	m³/h	1,6	1,4	1,1	0,9	0,6	2,1	1,8	1,6	1,4	1,1	2,6	2,4	2,1	1,9	1,6	3,0	2,8	2,6	2,3	2,1	3,6	3,4	3,1	2,9	2,6	3,1	3,0	2,8	2,6	2,5
Perdite di carico	kPa	14,3	10,7	7,5	4,8	2,5	21,6	17,3	13,5	10,1	7,2	32,1	26,8	22,0	17,7	13,8	40,8	35,1	29,8	24,9	20,5	54,3	47,5	41,3	35,5	30,2	39,2	35,4	31,8	28,4	25,2
<b>Flusso dell'aria 3400 m³/h (velocità 2)</b>																															
Pot. Termica	kW	32,3	27,4	22,5	17,5	12,1	41,4	36,7	32,0	27,3	22,5	52,2	47,2	42,4	37,6	32,9	60,6	55,8	51,0	46,2	41,5	71,5	66,4	61,5	56,6	51,7	92,8	87,7	82,6	77,7	72,8
Temp. Aria uscita	°C	30,9	33,3	35,6	37,6	39,0	39,8	42,7	45,4	47,8	50,2	50,5	53,4	56,1	58,7	61,1	58,3	61,3	64,3	67,0	69,8	68,5	71,6	74,5	77,3	80,0	89,1	92,5	95,8	98,9	101,9
Flusso Acqua	m³/h	1,2	1,1	0,9	0,7	0,5	1,6	1,4	1,2	1,0	0,9	2,0	1,8	1,6	1,4	1,3	2,3	2,1	1,9	1,8	1,6	2,7	2,6	2,4	2,2	2,0	2,4	2,3	2,1	2,0	1,9
Perdite di carico	kPa	8,9	6,6	4,6	2,9	1,5	13,3	10,7	8,3	6,3	4,4	19,6	16,4	13,5	10,9	8,5	25,0	21,4	18,2	15,3	12,6	33,0	28,9	25,1	21,6	18,3	23,9	21,6	19,4	17,3	15,4
<b>Flusso dell'aria 2400 m³/h (velocità 1)</b>																															
Pot. Termica	kW	25,3	21,5	17,6	13,6	9,0	32,4	28,7	25,0	21,4	17,7	40,7	36,9	33,1	29,4	25,7	47,3	43,5	39,7	36,1	32,4	55,6	51,6	47,8	44,0	40,2	72,3	68,3	64,4	60,5	56,7
Temp. Aria uscita	°C	34,4	36,4	38,1	39,4	39,7	44,4	46,7	49,0	51,0	52,8	56,1	58,4	60,7	62,9	64,9	64,6	67,3	69,8	72,2	74,4	75,8	78,4	81,0	83,4	85,6	98,8	101,8	104,7	107,3	109,9
Flusso Acqua	m³/h	1,0	0,8	0,7	0,5	0,3	1,2	1,1	1,0	0,8	0,7	1,6	1,4	1,3	1,1	1,0	1,8	1,7	1,5	1,4	1,2	2,1	2,0	1,8	1,7	1,5	1,9	1,8	1,7	1,6	1,5
Perdite di carico	kPa	5,7	4,2	3,0	1,9	0,9	8,6	6,9	5,4	4,0	2,9	12,5	10,5	8,6	6,9	5,4	15,9	13,6	11,6	9,7	8,0	20,9	18,3	15,9	13,6	11,6	15,2	13,7	12,3	11,0	9,7

### 13. SCHEMA ELETTRICO

#### 13.1. Collegamento HEATER CONDENS senza controllo

\* Il set non comprende: interruttore principale, fusibile, cavo di alimentazione

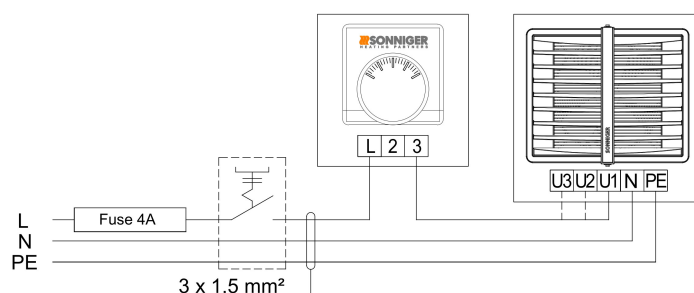


#### Descrizione cablaggio ventilatore

- U1** alta velocità - marrone
- U2** media velocità - grigio
- U3** bassa velocità - rosso
- N** neutro - blu
- PE** Protezione a terra - giallo/verde

#### 13.2. Collegamento HEATER MIX con TR-010

\* Il set non comprende: interruttore principale, fusibile, cavo di alimentazione



#### 13.3. Collegamento di alcune unità HEATER CONDENS con pannello COMFORT NEW, valvole e attuatori.

\* Il set non comprende: interruttore principale, fusibile, cavo di alimentazione

Un pannello COMFORT NEW può regolare fino a:

- **6 unità di HEATER CONDENS ONE** oppure
- **3 unità di HEATER CONDENS CR1, CR2, CR3** oppure
- **2 unità di HEATER CONDENS MAX**

**HEAT - RISCALDAMENTO** – Se la temperatura ambiente è al di sotto di quella impostata, il termostato dà il segnale di funzionamento all'attuatore e al ventilatore, il ventilatore si spegne al raggiungimento della temperatura impostata e la valvola chiude l'alimentazione dell'acqua;

**FAN - VENTILAZIONE** - funzionamento del ventilatore in base al termostato, le valvole non funzionano.

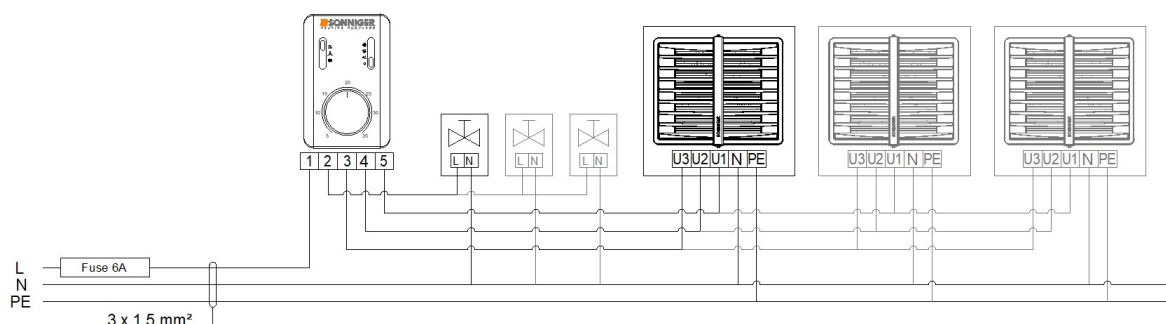
**COOL - FREDDO** – Se la temperatura ambiente è al di sopra di quella impostata, il termostato dà il segnale di funzionamento all'attuatore e al ventilatore, il ventilatore si spegne al raggiungimento della temperatura impostata e la valvola chiude l'alimentazione dell'acqua;

Attenzione! È possibile cambiare la posizione del ponticello da SR1 a SR1 CONST, in questo caso il ventilatore può funzionare indipendentemente dal termostato ed il funzionamento termostatico è solo per le valvole. In questo caso:

**HEAT - RISCALDAMENTO** - Funzionamento della ventilazione indipendente dal termostato, se la temperatura ambiente è al di sotto di quella impostata le valvole funzionano fino alla temperatura impostata;

**FAN - VENTILAZIONE** - funzionamento del ventilatore indipendente dal termostato, le valvole non funzionano.

**COOL - FREDDO** - Funzionamento della ventola indipendentemente dal termostato, Se la temperatura ambiente è al di sopra di quella impostata le valvole funzionano fino alla temperatura impostata;



### 13.4. Collegamento unità HEATER CONDENS con pannello INTELLIGENT WIFI

Il pannello Intelligent controlla attuatori/valvole e regola automaticamente la velocità delle ventole in base alla temperatura ambiente. La velocità del ventilatore si riduce automaticamente quando la temperatura in un ambiente si avvicina a quella desiderata.

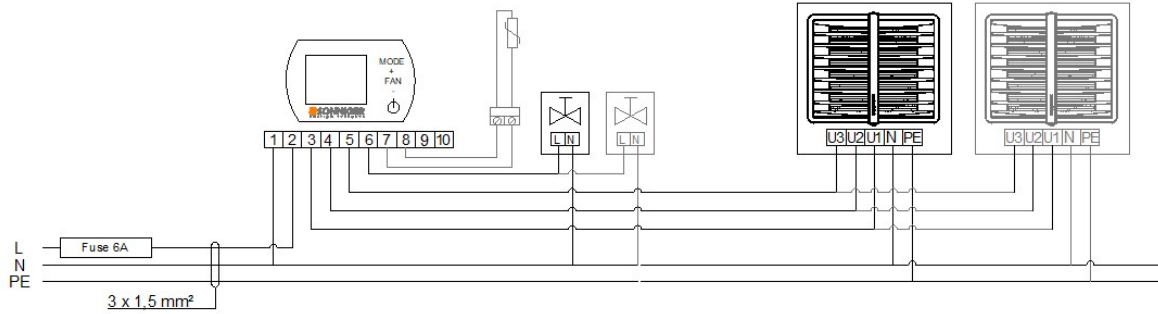
Funzioni aggiuntive - Termostato settimanale, disponibilità di segnali di comunicazione BMS

Possibilità di collegamento di un sensore esterno di temperatura NTC, con cavo da 5 m, lunghezza cavo massima 20 m.

Un pannello di comando INTELLIGENT WIFI può regolare fino a:

- **4 unità di HEATER CONDENS ONE** oppure
- **2 unità di HEATER CONDENS CR1, CR2, CR3** oppure
- **1 unità di HEATER CONDENS MAX.**

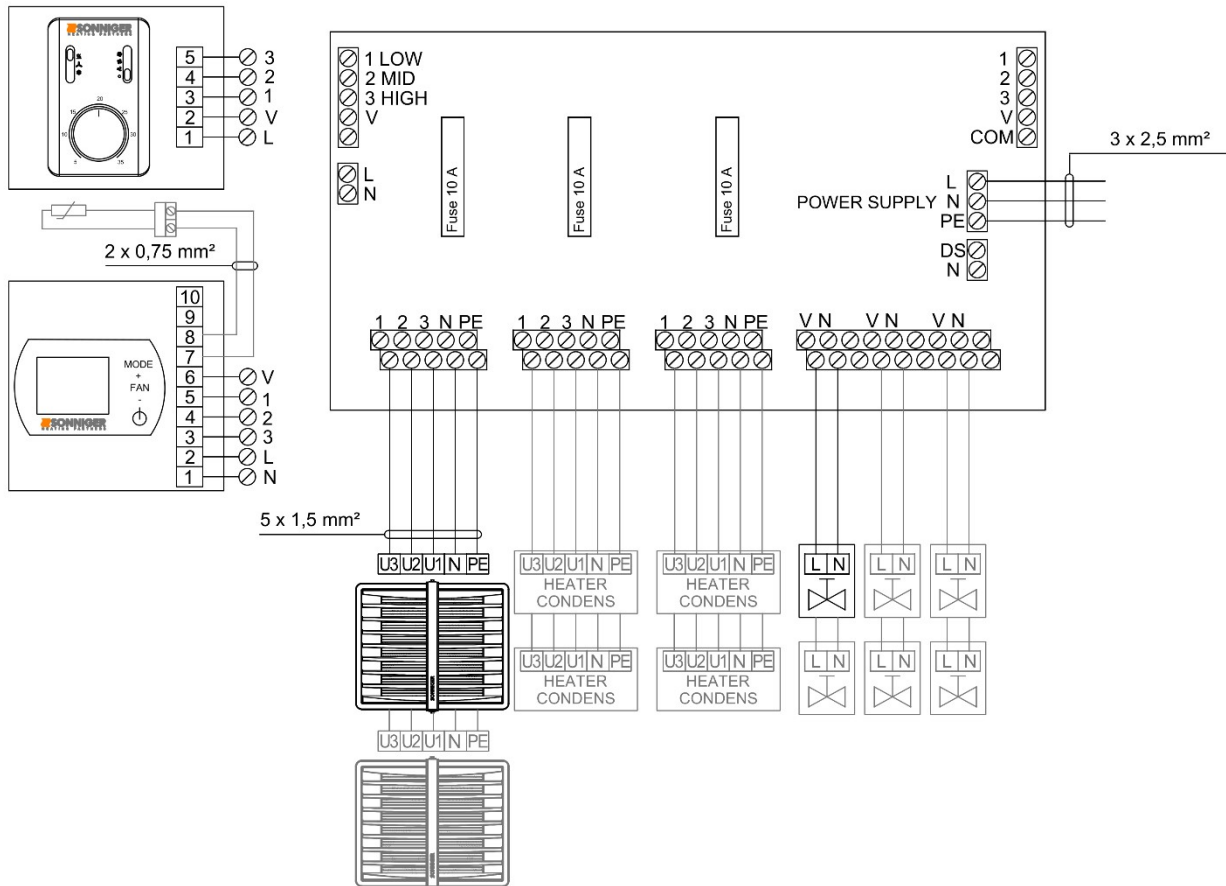
\* Il set non comprende: interruttore principale, fusibile, cavo di alimentazione.



### 13.5. Splitter MULTI 6 - RIPARTITORE per il controllo fino a 12 unità di HEATER CONDENS ONE oppure fino a 6 unità di HEATER CONDENS o HEATER CONDENS MAX da un pannello COMFORT NEW o INTELLIGENT WIFI.

Il ripartitore Splitter MULTI 6 consente di collegare e controllare più aerotermi ventilanti (fino a un massimo di 6/12 a seconda del modello) e valvole con attuatori (fino a 6/12 pezzi). Il controllo dei ventilatori e delle valvole parte dal pannello COMFORT o INTELLIGENT ECO.

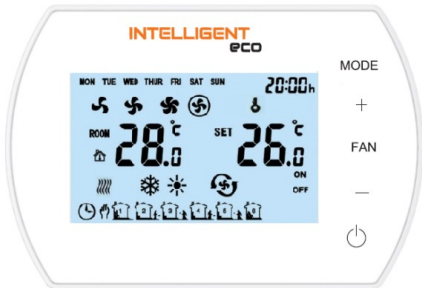
Per collegare più apparecchi HEATER CONDENS è possibile collegare in serie diversi Splitter MULTI 6 uno all'altro (estensione massima fino a 10 splitter MULTI 6). In tal caso, sul primo Splitter MULTI 6 ci deve essere il connettore DS-N lasciato aperto, sugli altri Splitter MULTI 6 (2..10) il CONNETTORE DS-N deve essere chiuso.



### 14. PANNELLO INTELLIGENT WIFI – Controllore programmabile automatico WI FI

Il pannello INTELLIGENT WIFI controlla attuatori/valvole e regola automaticamente la velocità del ventilatore in base alla temperatura ambiente. Durante la messa a regime partendo da basse temperature viene usata la massima velocità. La velocità del ventilatore si riduce automaticamente quando la temperatura in ambiente si avvicina a quella desiderata. Intelligent WIFI permette di controllare il funzionamento delle unità attraverso la app per dispositivi mobili TUYA SMART.

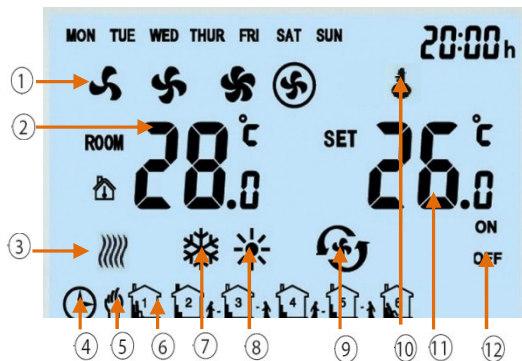
Il pannello INTELLIGENT WIFI è stato progettato per i prodotti SONNIGER



**Funzioni:**

- Termostato settimanale (giorni 5/1/1)
- Regolazione velocità del ventilatore a 3 fasi automatica o manuale.
- Controllo temperature dell'ambiente (aprendo/chiudendo una valvola o regolando il volume dell'aria automaticamente).
- Modalità antigelo - protezione contro la caduta della temperatura ambiente sotto il livello critico +5 ~ 15°C.
- Possibilità di collegamento a un sensore di temperatura NTC esterno.
- Comunicazione BMS con protocollo MODBUS
- Controllo WIFI tramite app TUYA SMART
- Risposta con Contatto pulito

**Descrizione dello schermo**



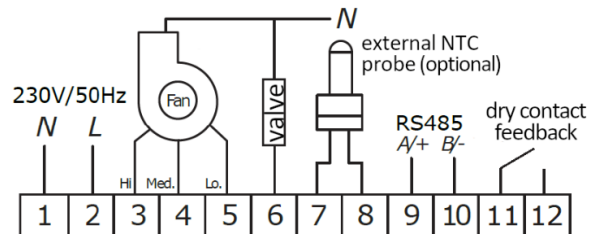
1. Velocità Ventilatore: Bassa, Media, Alta, Automatica
2. Temp. Ambiente o Sensore esterno (rilevata)
3. Indicatore antigelo
4. Modalità programmazione automatica
5. Modalità manuale
6. 6 Periodi temporali programmabili per giorno
7. Modalità raffrescamento (Cooling)
8. Modalità Riscaldamento (Heating)
9. Modalità Ventilazione
10. Segnale di blocco impostazioni
11. Temperatura setpoint (desiderata)
12. Stato ON/OFF dei periodi temporali



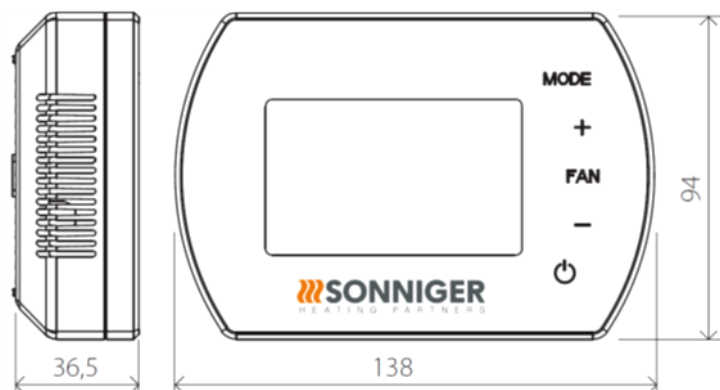
- 13 MODE - Premere brevemente per selezionare la modalità manuale o automatica. Tenere premuto per 3 secondi per selezionare Raffrescamento, Riscaldamento oppure Ventilazione
- 14 FAN - Premere brevemente per selezionare la velocità del ventilatore: Bassa, Media, Alta, Automatica
- 15 ON/OFF - Accensione e Spegnimento

**Parametri tecnici**

1	Alimentazione elettrica	230VAC/50Hz
2	Gamma temperature impostabili	5°C 40°C
3	Gamma Temperature di esercizio	-10°C 60°C
4	Grado di Protezione	IP 20
5	Sensore di temperatura	Interno / Esterno NTC (opzionale)



## Dimensioni



## Menu impostazioni

Quando il pannello INTELLIGENT WIFI è spento, premere MODE e mantenerlo premuto per 5 secondi:

Per cambiare opzione, usare il pulsante MODE;

Per cambiare valore, usare i pulsanti +/-.

Menu Impostazioni	Opzioni	Valori
1	Calibrazione Temperatura	-9°C ~ +9°C
2	EEPROM	0: senza memory 1: con memoria
3	Modalità Ventilatore	C1: Modo termostatico (FAN AUTO) C2: Modo continuo (FAN CONT)
4	Sensore Temperatura	0: Sensore Interno 1: Sensore Esterno NTC (opzionale)
5	Antigelo	0: Spento 1: Acceso
6	Gamma Temperatura Antigelo	+5°C ~ +15°C
7	ALLARME	0: disabilitato 1: abilitato
8	Risposta contatto pulito	0: NO 1: NC
9	MODBUS	0: disabilitato 1: abilitato
10	Velocità BMS	0-2400 / 1-9600 / 2-19200
11	MODBUS ID	1 ~ 247 (01 ~ F7)

## Segnale di Blocco / Sblocco

Per BLOCCARE i pulsanti premere + e mantenerlo e poi - e mantenerli entrambi premuti per 5 secondi.

Per SBLOCCARE i pulsanti premere + e mantenerlo e poi - e mantenerli entrambi premuti per 5 secondi.

## Premere MODE

Cambia il modo in MANUALE  oppure AUTOMATICO 

## Premere MODE per 5 secondi

Cambia la modalità in RAFFRESCAMENTO , RISCALDAMENTO , VENTILAZIONE 








## Premere FAN

Cambia le velocità del ventilatore in BASSA , MEDIA , ALTA , AUTOMATICA 

## Premere FAN per 5 secondi

Permette l'impostazione del calendario e programmazione delle 6 impostazioni giornaliere (lunedì-venerdì 1-5, sabato 6, domenica 7)

## Funzioni BMS

-  Impostare/leggere i parametri operativi
-  Condizione di lavoro o stop
-  Programmazione settimanale
-  Temperatura
-  Velocità del ventilatore
-  Riscaldamento, Ventilazione, Raffrescamento
-  Modalità antigelo



N.	Impostazione	Parametri
1	Modo operativo	RS485 Semi-duplex; PC o controller principale è MASTER; Termostato è SLAVE
2	Interface	A(+),B(-), 2 fili
3	Baud Rate	0-2400 / 1-9600 / 2-19200
4	Byte	9 bits in totale: 8 data bit + 1 stop bit
5	Modbus	Modo RTU
6	Trasmissione	RTU (Remote Terminal Unit) formato (vedi istruzioni MODBUS)
7	Indirizzo Termostato	1 – 247; (0 è l'indirizzo di trasmissione e sta per tutti i termostati senza risposta)

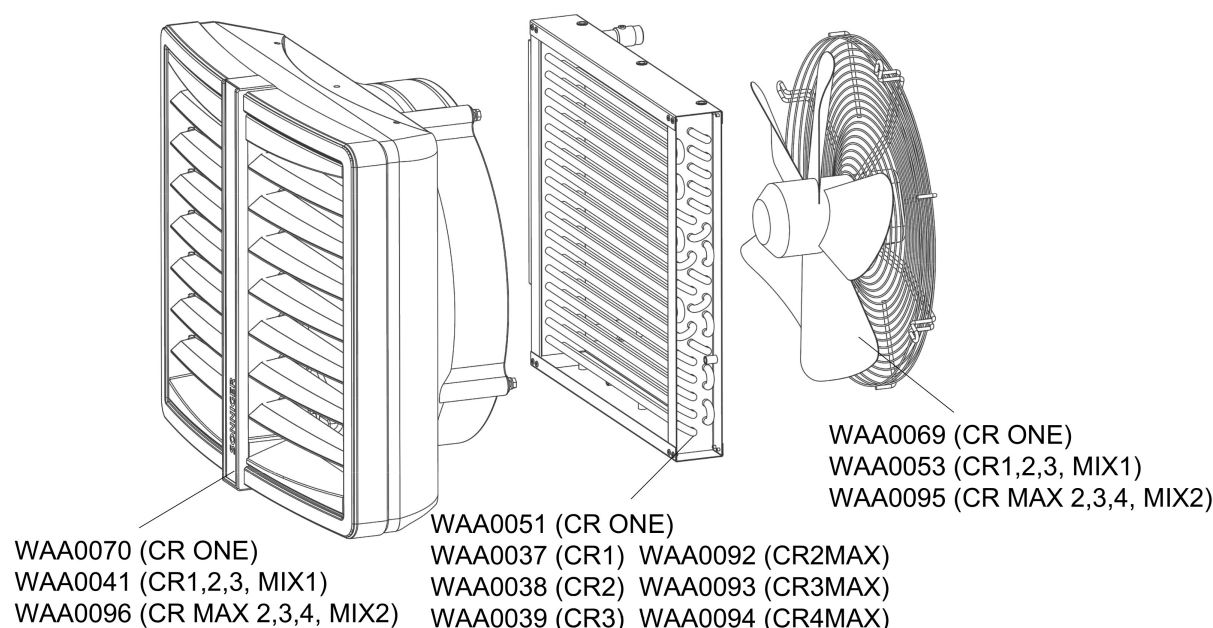
### Funzioni WIFI

- 🔌 Impostazione/lettura parametri di funzionamento
- 🔌 Condizione di Lavoro/stop
- 🔌 Programmazione settimanale
- 🔌 Temperature
- 🔌 Velocità di ventilazione
- 🔌 Modalità Riscaldamento, raffrescamento o ventilazione

### COLLEGAMENTO DEL TERMOSTATO PANEL INTELLIGENT WIFI CON LA APP "TUYA SMART"

1. Scarica l'app Tuya Smart (disponibile su App Store e Google Play)
2. Il termostato dev'essere connesso all'alimentazione e al dispositivo ma dovrebbe rimanere spento
3. Avvia l'app Tuya e segui le istruzioni
4. Per la connessione, abilitare il GPS e il Bluetooth nel telefono
5. Per attivare la modalità di associazione nel pannello INTELLIGENT, tenere premuto il simbolo "+" per 5 secondi fino a quando il simbolo SA non viene visualizzato sul lato sinistro dello schermo
6. Scegli la funzione "Aggiungi dispositivo", l'app dovrebbe trovare automaticamente il pannello di controllo, premere il pulsante "Aggiungi" e, dopo aver completato il processo di configurazione, premere "Avanti" e "Fine"
7. In assenza della funzione "Aggiungi", selezionare la scheda "Piccoli dispositivi" e la funzione "Termostato (Wi-Fi)". Quindi inserire i dati per connettersi alla rete WiFi selezionata e confermare, poi un "lampeggio lentamente".
8. Verrà visualizzata una schermata con le informazioni sulla ricerca di un dispositivo. Dopo aver rilevato il driver, il processo di connessione è automatico. dopo aver completato il processo di configurazione, premere "Avanti" e "Fine".

### CATALOGO PARTI DI RICAMBIO



### CONFORMITÀ RAEE 2012/19 / UE

In conformità con le normative legali applicabili, al momento dell'acquisto di nuove apparecchiature elettriche o elettroniche con il seguente marchio:



RICORDA CHE È VIETATO SMALTIRE L'ATTREZZATURA USURATA CON ALTRI RIFIUTI

Per informazioni sul sistema di raccolta dei rifiuti di apparecchiature elettriche ed elettroniche, contattare il proprio distributore

## TERMINI E CONDIZIONI DELLA GARANZIA

### § 1 Scopo della garanzia

1. La Garanzia autorizza l'Acquirente a ottenere la sostituzione del dispositivo o parte di esso in caso di difetto solo se, entro il periodo di garanzia, il produttore dichiara che un dispositivo difettoso o parte di esso non può essere riparato.
2. Per richiedere la riparazione gratuita occorre presentare prova dell'acquisto o compilare lo specifico modulo di reclamo.
3. La presente garanzia copre i difetti materiali del dispositivo che rendono il suo funzionamento impossibile. La presente garanzia non si estende all'installazione e a lavori di manutenzione.
4. La garanzia per il prodotto venduto dal Rivenditore dura 24 mesi. Il periodo di garanzia inizia al momento della consegna del dispositivo all'Acquirente specificato nella fattura di vendita. La garanzia copre tutte le parti/componenti specificati nell'ambito della consegna.
5. I prodotti consegnati da terze persone non sono garantiti da questo fornitore.
6. I dispositivi possono essere avviati e sottoposti a manutenzione solo da personale qualificato formato nei settori della manutenzione e del funzionamento del dispositivo. Tutte le operazioni relative ad avviamento, manutenzione e riparazioni devono essere annotate sulla Scheda della garanzia.
7. Il presupposto per il rilascio della garanzia da parte del produttore è il montaggio e l'attivazione del dispositivo in accordo con la Documentazione d'uso e manutenzione entro e non oltre 6 mesi dalla data dell'acquisto.
8. Il prodotto è garantito per il periodo completo di garanzia solo previo rispetto delle operazioni previste dalla Documentazione d'uso e manutenzione, sezione "Manutenzione". Tutti i servizi relativi alla manutenzione del dispositivo sono effettuati a cura e a spese dell'Utente.
9. La fornitura dei servizi di garanzia non cessa o si sospende per la durata della garanzia. La garanzia sulle parti/elementi sostituiti o riparati termina con la scadenza della garanzia del dispositivo.

### § 2 Esclusioni dalla garanzia/scarico di responsabilità

1. La garanzia non si estende ai danni meccanici e ai danni ai componenti elettrici causati da uso improprio, trasporto, tensione anomala o altri danni derivanti da un difetto del prodotto. Per le ragioni di cui sopra, la garanzia è limitata esclusivamente alla sostituzione di parti/componenti aventi difetti di costruzione che devono essere forniti senza costi aggiuntivi solo se la parte/componente difettoso è stato restituito.
2. La garanzia per i dispositivi non si applica quando si sono verificati errori tecnici durante le procedure in materia di installazione, regolazione e controllo comprendenti uno qualsiasi dei seguenti casi:
  - a) Difetti causati dalla connessione di un dispositivo a un sistema di ventilazione impropriamente progettato che consentano ulteriori carichi di calore che non soddisfino tutti gli standard e diminuiscano il rendimento dello scambiatore di calore.
  - b) Difetti causati da collegamento a componenti o parti che facciano parte del sistema di riscaldamento, ma non siano stati forniti dal Rivenditore e il cui funzionamento inappropriato abbia un impatto negativo sul funzionamento del dispositivo.
  - c) Difetti causati dal collegamento di parti di ricambio a componenti non originali.
  - d) Difetti causati dalla rivendita del prodotto da parte del primo acquirente/utente a un altro acquirente che smantelli/installi il dispositivo precedentemente installato e azionato in un edificio specifico e relative condizioni.
  - e) Difetti causati da un'errata competenza e conoscenza insufficiente dell'installatore e del personale tecnico che in modo improprio effettui servizio post-vendita sul dispositivo
  - f) Difetti causati da condizioni speciali di utilizzo che differiscono dalla tipica applicazione standard a meno che le parti (il Rivenditore e il personale tecnico del cliente) abbiano precedentemente convenuto altrimenti per iscritto.
  - g) Difetti causati da catastrofi naturali come incendi, esplosioni e altri incidenti che possano provocare danni a componenti meccanici, elettrici e dispositivi di protezione
  - h) Difetti causati da una pulizia inadeguata dell'impianto tecnico o dal luogo in cui il dispositivo è stato installato; la pulizia deve avvenire periodicamente in base alle specifiche condizioni di lavoro e alla quantità di polvere.
  - i) Difetti derivanti dalla mancanza di pulizia o inadeguata pulizia di scambiatori di calore; la pulizia deve essere effettuata periodicamente in base alle specifiche condizioni di lavoro e alla quantità di polvere.
  - j) Difetti causati da installazione inadeguata per bassa temperatura al di fuori delle condizioni di lavoro.
  - k) Difetti causati da bassa temperatura se non è installato alcun dispositivo di protezione antigelo.Basse temperature sulle parti elettriche e meccaniche quali valvole, dispositivi di controllo elettrici ed elettronici, formazione di condensa e gelo/ghiaccio nei pressi del dispositivo, shock termico dell'aeroterme e scambiatore di calore causato da brusche variazioni della temperatura esterna.

### §3 SONNIGER non è responsabile per:

1. Lavori di manutenzione, controlli derivanti dalla Documentazione d'uso e manutenzione e programmazione del dispositivo.
2. Difetti causati dallo spostamento di un dispositivo a banco in attesa dell'assistenza in garanzia.
3. Tutti i difetti causati ai beni della società.

### §4 Procedura di reclamo

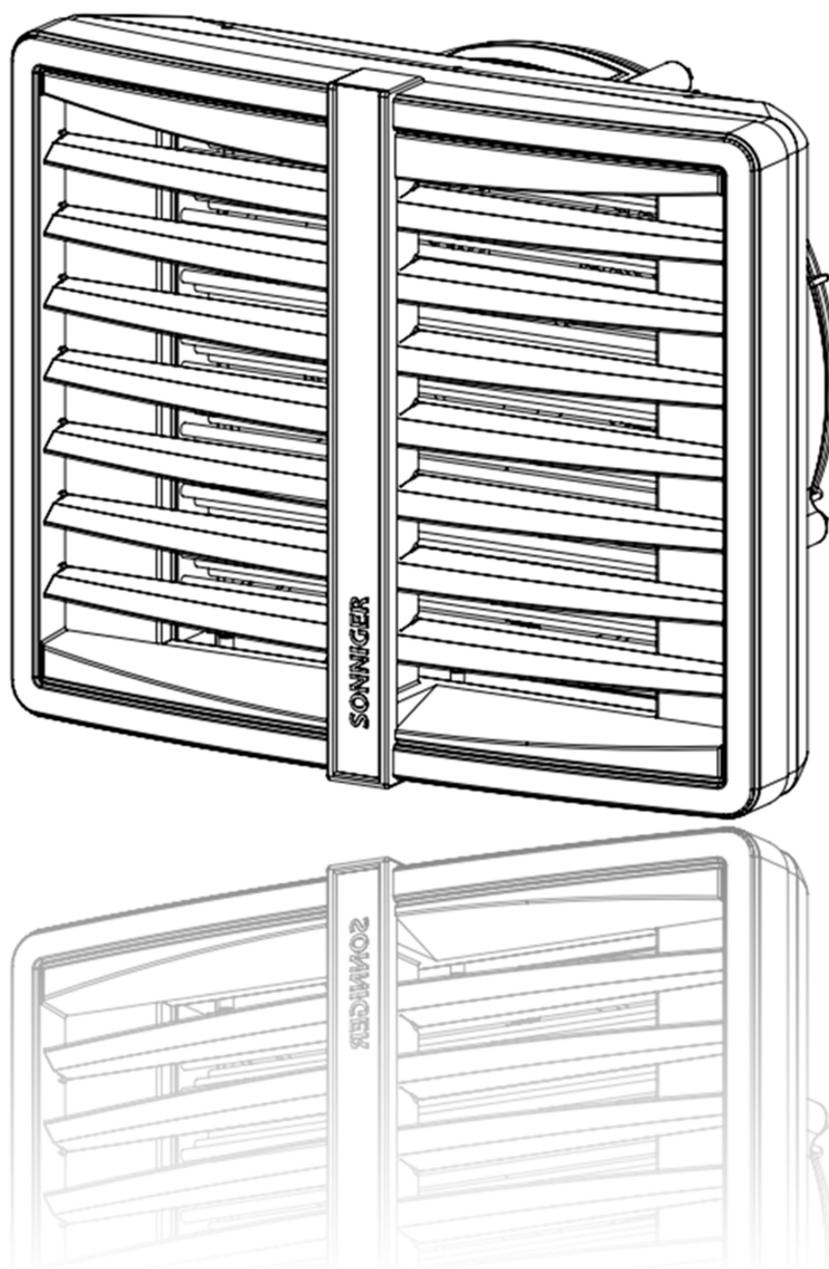
1. In caso di reclamo coperto dalle condizioni di garanzia, l'utente può presentare un reclamo direttamente al Distributore.
2. Tutte le riparazioni coperte da garanzia devono essere eseguite come parte di attività di un'azienda di installazione e Servizio di fabbrica. Tutte le riparazioni coperte dalla garanzia devono essere effettuate nel luogo in cui il dispositivo è installato.
3. L'utente rispetto alle attività di servizio è tenuto a:

## Documentazione tecnica aerotermo ventilante ad acqua HEATER CONDENS v202301

- Consentire pieno accesso ai locali in cui i dispositivi sono stati installati e fornire i servizi necessari per consentire un accesso diretto al dispositivo (sollevamento, ponteggi, ecc.) al fine di permettere di eseguire tutte le operazioni di manutenzione coperte dalla garanzia.
  - Presentare l'originale della Scheda di garanzia e la fattura IVA a registrazione dell'acquisto,
  - Garantire la sicurezza durante la manutenzione,
  - Consentire di avviare le opere immediatamente all'arrivo del Servizio.
4. Al fine di presentare un reclamo in garanzia è necessario consegnare all'indirizzo del Distributore i seguenti documenti:
- a. copia della Scheda di garanzia
  - b. copia della prova di acquisto - fattura di vendita
5. Il servizio di riparazione con la sostituzione delle parti è gratuito solo se il rappresentante dell'installatore o il Servizio rileva che il difetto o malfunzionamento del dispositivo è causato da un difetto imputabile al produttore.
6. Tutti i costi (costo di riparazione, trasferta e componenti scambiati) sostenuti a causa di reclamo ingiustificato, soprattutto quando il rappresentante della ditta installatrice o il Servizio di riparazione rilevi che difetto/danno è stato causato dal mancato rispetto delle linee guida fornite nella Documentazione d'uso e manutenzione o rilevi le esclusioni di cui al **§2 (Esclusioni dalla garanzia)**, saranno imputati all'Acquirente/Cliente che ha reclamato il guasto.
7. Il soggetto che presenta il reclamo è tenuto a fornire una conferma scritta del servizio fornito.
8. SONNIGER ha il diritto di negare il servizio in garanzia se Sonniger Poland non avrà ricevuto il pagamento completo per il prodotto oggetto del reclamo in garanzia o per eventuali precedenti attività di manutenzione.



## ТЕХНИЧЕСКИЙ ПАСПОРТ И РУКОВОДСТВО ПО ЭКСПЛУАТАЦИИ HEATER CONDENS



**SONNIGER S.A.**

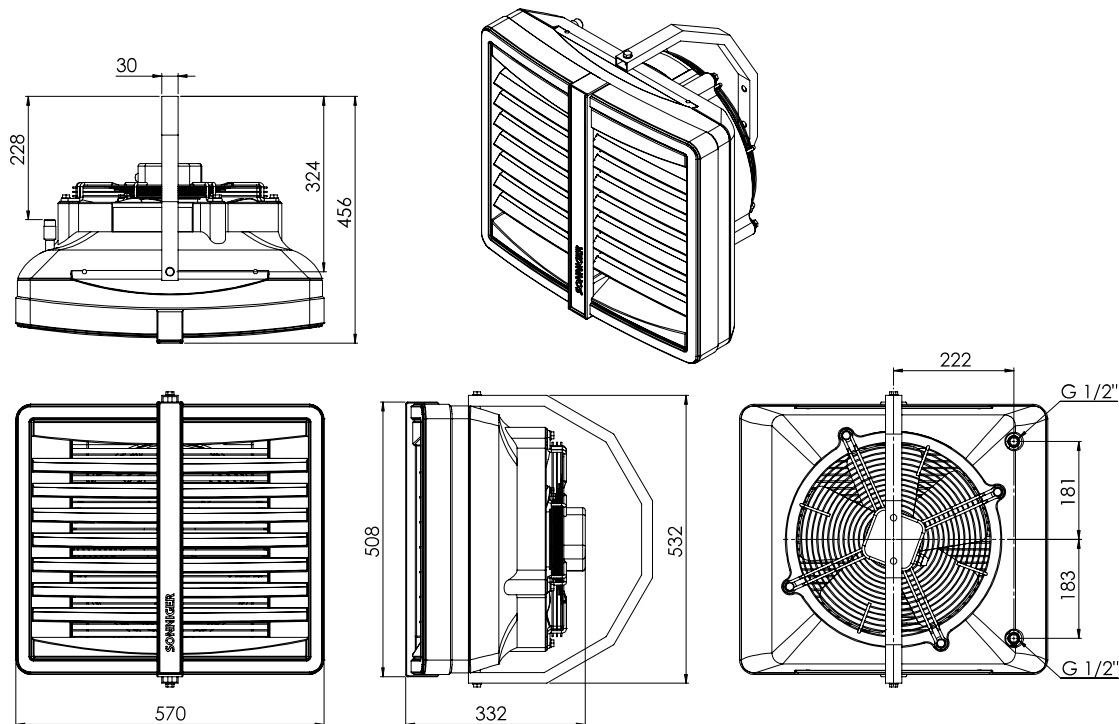
ul. Śląska 35/37, 81-310 Gdynia, Poland, infolinia 801 055 155, tel. + 48 58 785 34 80, [www.sonniger.com](http://www.sonniger.com)  
Sąd Rejonowy Gdańsk-Północ, VIII Wydział Gospodarczy Krajowego Rejestru Sądowego, KRS 0000966611, NIP 586 227 35  
14 Regon 22154369 kapitał zakładowy: 1.655.000 PLN

## 1. ПРЕДНАЗНАЧЕНИЕ

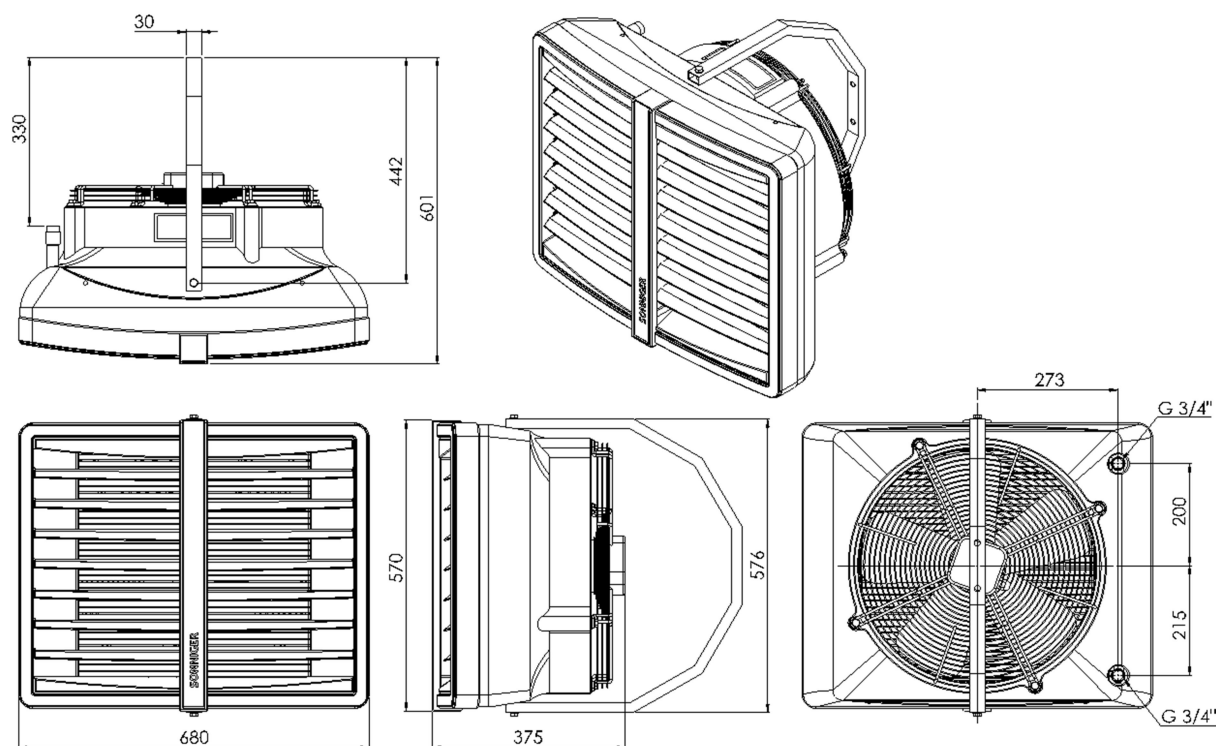
Отопительно-вентиляционные аппараты HEATER CONDENS предназначены для обогрева зданий малой и средней кубатуры, например, производственных и складских помещений, автосалонов и автомастерских, спортивных залов и стадионов, магазинов и торговых центров, сельскохозяйственных и выставочных помещений.

HEATER CONDENS – это линия водяных тепловентиляторов, спроектированных специально для работы с низкими тепловыми мощностями (конденсационные котлы, промышленные тепловые насосы). Главными преимуществами HEATER CONDENS являются: высокая температура воздушного потока при низкой температуре источника тепла; максимально эффективное использование поверхности теплового обменника с новой "уплотненной" геометрией (увеличен размер ребер при меньшем расстоянии между ними); оптимизированный воздушный поток – высокая температура на любой скорости тепловентилятора.

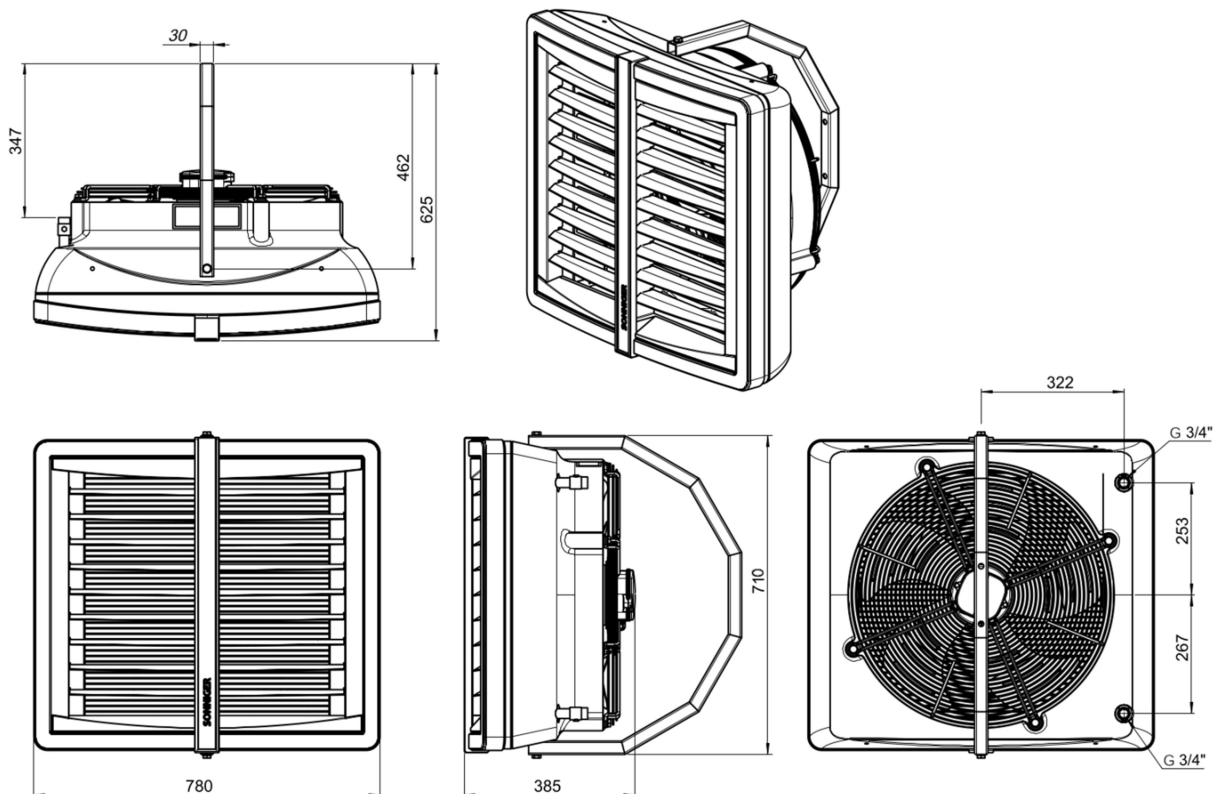
## 2. КОНСТРУКЦИЯ, ГАБАРИТЫ, ОСНОВНЫЕ ТЕХНИЧЕСКИЕ ПАРАМЕТРЫ HEATER CONDENS CR ONE



## КОНСТРУКЦИЯ, ГАБАРИТЫ, ОСНОВНЫЕ ТЕХНИЧЕСКИЕ ПАРАМЕТРЫ HEATER CONDENS CR1, CR2, CR3, MIX1



**КОНСТРУКЦИЯ, ГАБАРИТЫ, ОСНОВНЫЕ ТЕХНИЧЕСКИЕ ПАРАМЕТРЫ HEATER CONDENS CR2 MAX, CR3 MAX, CR4 MAX, MIX2**



**Основные элементы тепловентилятора HEATER**

- ▄ корпус изготовлен из вспененного полипропилена EPP
- ▄ регулируемые жалюзи
- ▄ 3-х скоростной осевой вентилятор размером 350 мм, 450 мм или 550 мм, защищенный от прямого доступа к вращающимся элементам специальной решеткой
- ▄ теплообменник изготавливается на базе медного коллектора, змеевика с алюминиевыми пластинами-ламелями. Штуцеры оснащены воздуховыпускным и водовыпускным клапанами. Диаметр штуцера - 1/2", 3/4"

ТЕХНИЧЕСКИЕ ПАРАМЕТРЫ:	HEATER CONDENS								DESTRATIFIER	
		CR ONE	CR1	CR2	CR3	CR2 MAX	CR3 MAX	CR4 MAX	MIX 1	MIX 2
Диапазон мощности нагрева	кВт	5-25	10-35	15-50	20-70	25-70	35-95	40-120	-	-
Производительность (при 90/70 °С) / Прирост температуры воздуха*	кВт /°С	19 kW/35°C	23 kW/18°C	39 kW/33°C	50 kW/48°C	55 kW/30°C	74 kW/49°C	94 kW /60°C	-	-
Производительность (при 70/50 °С) / Прирост температуры воздуха*	кВт /°С	13 kW/25°C	16 kW/13°C	26 kW/22°C	35 kW/34°C	40 kW/22°C	53 kW/35°C	68 kW/44°C	-	-
Производительность (при 50/30 °С) / Прирост температуры воздуха*	кВт /°С	7 kW/15°C	9 kW/8°C	13 kW/11°C	20 kW/20°C	25 kW/14°C	32 kW/21°C	42 kW/27°C	-	-
Максимальный расход воздуха	м3/ч	1 600	3 900	3 350	2 950	5 700	5 600	5 100	4 800	7 200
Уровень шума I / II / III скорость ****	дБ(А)	35/46/52	44/52/62	41/50/60	39/48/60	41/50/59	40/48/58	40/48/58	36/44/54	31/42/49
Количество рядов нагревателя	-	2	1	2	3	2	3	3	-	-
Максимальное рабочее давление	МПа	1,6		1,6			1,6		-	-
Максимальная дальность струи воздуха	м	14	24	21	19	26	25	23	13***	16***
Диаметр патрубков	"	1/2"		3/4"			3/4"		-	-
Напряжение питания/Потребляемый ток	В/Гц(А)	230/50 0,58А		230/50 1,08А			230/50 2,2А		230/50 1,08А	230/50 2,2А
Номинальная электрическая мощность	Вт	124		250			520		250	520
Частота вращения двигателя	об/мин	1400		1350			1380		1350	1380
Класс защиты двигателя	IP	IP 54		IP 54			IP 54		IP 54	
Масса оборудования / Масса оборудования с упаковкой	кг	9,6/10,7	10,8/11,9	12,7/14,8	14,5/16,9	23,6/25,2	25,2/27,4	25,5/28	9,2	15,8

\* тепловая мощность представлена для параметра теплоносителя в диапазоне 50/30°C – 120-90°C, температуры воздуха 0°C, III скорости вентилятора

\*\* для температуры входящего воздуха 0°C

\*\*\* максимальная высота для вертикального воздушного потока, макс. площадь покрытия – 380 м<sup>2</sup> для HEATER MIX1, 450 м<sup>2</sup> для HEATER MIX2

\*\*\*\* замер на расстоянии 5 м

\*\*\*\*\* горизонтальный диапазон изометрического пара с предельной скоростью 0,5 м/с

### 3. ОБЩАЯ ИНФОРМАЦИЯ

Отопительно-вентиляционные агрегаты HEATER CONDENS изготавливаются в соответствии со стандартами и нормами качества, защиты окружающей среды, удобства использования и комфорта в эксплуатации. Устройства HEATER CONDENS поставляются в полностью собранном виде в картонной коробке, защищающей от механических повреждений. В комплектацию входят: прибор, инструкция по эксплуатации с гарантией. Опционально заказываемая автоматика поставляется в отдельной упаковке. Проверьте содержимое упаковки сразу после доставки. При обнаружении каких-либо недостатков необходимо заполнить соответствующий протокол, проинформировав поставщика

#### ВАЖНО!

- ❶ Перед установкой - прочтите данное руководство полностью и следуйте всем рекомендациям установки. Нарушение этих правил может привести к неправильной работе устройства и как следствие, потере гарантии.
- ❶ Будьте предельно осторожны при обращении с электрическими компонентами устройства.
- ❶ Все монтажные работы и дальнейшее обслуживание должны выполняться квалифицированным персоналом.

### 4. МОНТАЖ

Заполнить в полном объеме гарантийную карту после монтажа, вписав предварительно серийный номер.

При определении месторасположения агрегата, необходимо принять во внимание: доступность монтажа и обслуживания, доступ к подключению теплоносителя и электроэнергии, правильное и равномерное распределение воздуха в помещении.

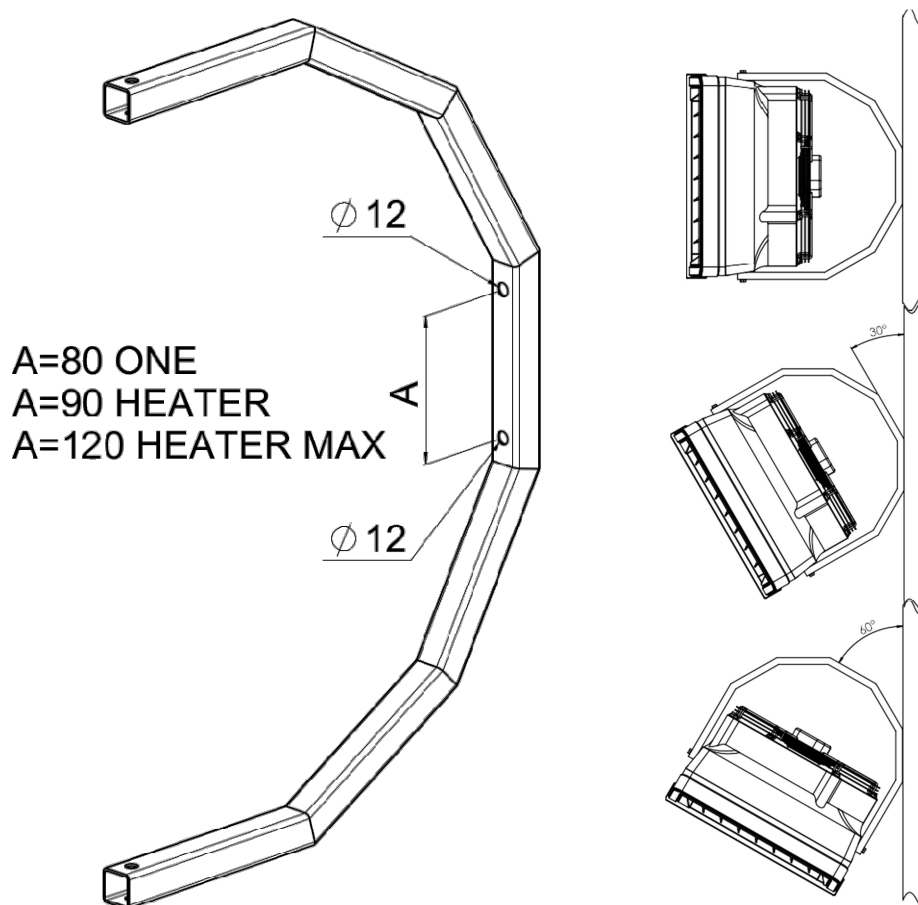
Каждый агрегат HEATER поставляется с комплектом набор из 2 сменных передних панелей. Смена цвета производится путём удаления вставки из передней панели устройства и заменой её на вставку другого цвета.

Мы рекомендуем производить монтаж агрегата на стене или потолке с помощью монтажных кронштейнов, монтажных шпилек (по своему усмотрению), или монтажных опор (формы и размеры, несущих конструкций можно свободно конструировать, согласно требованиям прочности).

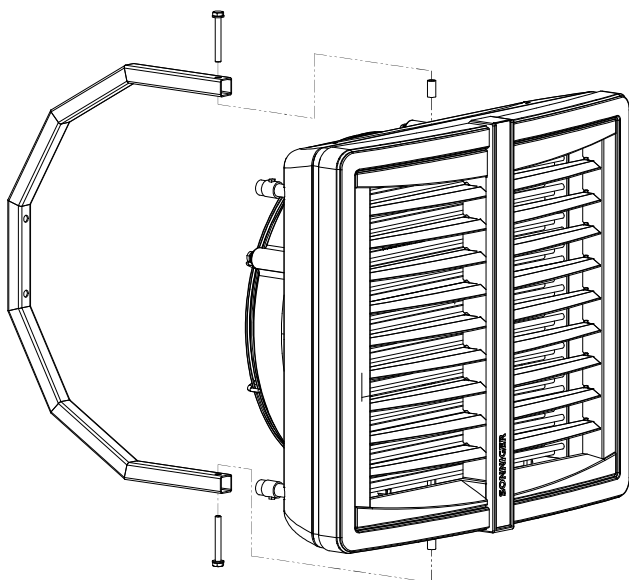
Монтаж под потолком – „потолочный монтаж” - следует отметить, что при монтаже агрегата рекомендуется использовать автоматические воздухоотводчики на самой высокой точке трубопровода. Определять место с учетом возможных появлений нагрузок и вибраций. Максимальный вес агрегата без воды составляет 14,8 кг; что позволяет его крепить под потолком так же и на профнастил на кронштейне или шпильках.

Устройство может быть установлено на стене с помощью монтажного кронштейна под углом 0°, 30° или 60°.

Монтажный кронштейн изготовлен из изогнутого металлического профиля. Он имеет два отверстия для крепления нагревателя к стене в вертикальном положении. Монтаж агрегата на стене или потолке можно так же произвести и под другим углом. Для этого необходимо сделать соответствующее сверление в кронштейне диаметром указанным на рисунке ниже

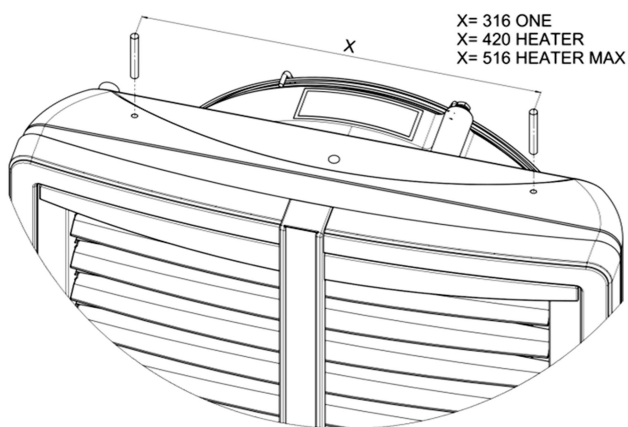






#### Монтаж консоли к агрегату

Комплект поставки кронштейна включает в себя: кронштейн, 2 втулки, 2 болта М8 и шайбы. Для установки консоли просверлите 2 отверстия Ø12-13 в задней стенке как показано на рисунке. Специальные указатели в месте сверления отверстий указаны на корпусе агрегата. В подготовленные отверстия установите втулки, затем совместите консоль с отверстиями и зафиксируйте. Консоль должна быть прикручена винтами М8 с шайбами.

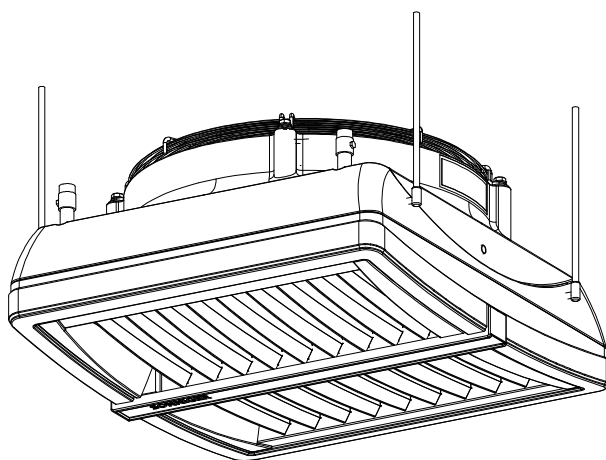


#### Монтаж агрегата на шпильках

Так же тепловентилятор можно установить на стене или под потолком на шпильках с помощью втулок М8, которые уже есть в конструкции агрегата. Чтобы сделать это, необходимо вырезать с помощью корончатого сверла 2-отверстия Ø 8-9 мм в местах, указанных индикаторами на корпусе. С помощью этих отверстий шпильки вставляются и прикручиваются к раме теплообменника на глубину не более 20 мм.

#### ВАЖНО!

- ❶ Во время сверления отверстия соблюдайте особую осторожность, чтобы не повредить теплообменник. Максимальная глубина сверления не более 20 мм



#### Монтаж дестратификатора HEATER MIX1, MIX2

Для монтажа дестратификатора HEATER MIX под потолком используйте монтажные шпильки М8. Для этого просверлите четыре отверстия Ø8-9 мм. Место для шпилек обозначено на корпусе. Шпильки можно ввинтить в раму теплообменника на максимальную глубину 20 мм.

Монтажные и соединительные элементы в комплект поставки не входят

#### ВАЖНО!

- ❶ Вокруг нагревательного аппарата должно оставаться достаточно свободного пространства: сбоку минимум 200 мм, со стороны вентилятора минимум 300 мм

## 5. ПОДКЛЮЧЕНИЕ УСТРОЙСТВА К ЭЛЕКТРОСЕТИ

Электрическая установка и подключение питания к устройству должны соответствовать действующим строительным нормам и стандартам.

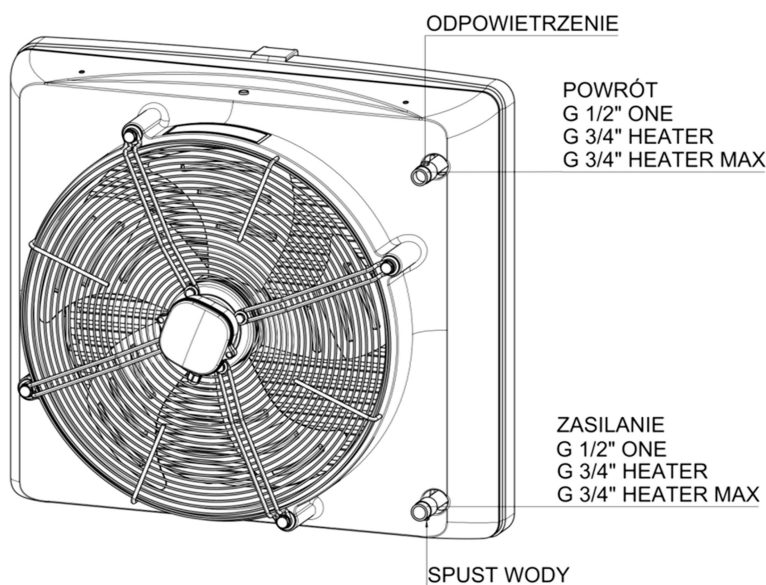
Двигатель вентилятора в стандартной комплектации оснащен внутренней тепловой защитой, защищающей двигатель от перегрева. В комплект не входят: кабель питания или главный выключатель (см. схемы)

Установку должен подключать человек с соответствующей квалификацией, ознакомленный с приведенными выше инструкциями. Подключение силового кабеля и главного выключателя должно производиться в соответствии с электрической схемой (с автоматикой или без нее, в зависимости от варианта устройства). Повреждения, вызванные вышеуказанными причинами, не покрываются гарантией, за замену обогревателя взимается оплата. Подключение автоматики производить в соответствии со схемой подключения.

В случае каких-либо неясностей или проблем отключите устройство от источника питания и обратитесь к установщику устройства или непосредственно в авторизованный сервисный центр SONNIGER.

## 6. ПОДКЛЮЧЕНИЕ К ТЕПЛОНОСИТЕЛЮ

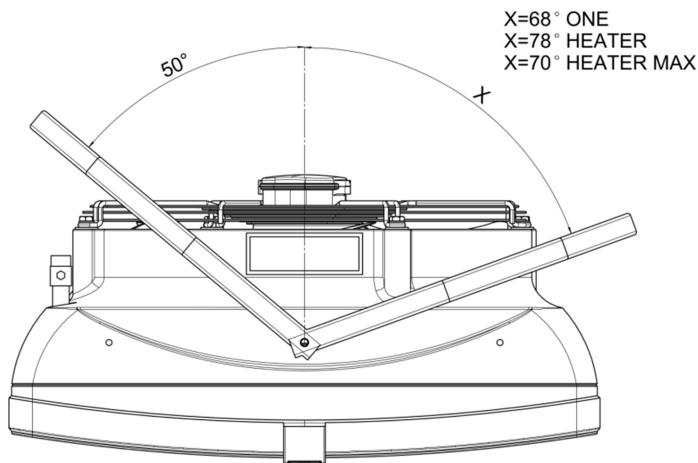
Нагреватель должен быть подключен таким образом, чтобы обеспечить возможность обслуживания, на обоих патрубках устройства должна быть установлена ручная запорная арматура, позволяющая отключить устройство. Соединительные шланги нагревателей должны быть подключены в соответствии с маркировкой на корпусе устройства (вход/выход). Если используется электромагнитный клапан, его необходимо подключить на выходе воды из устройства, иначе он может выйти из строя



### Подключение теплоносителя

Присоединительные патрубки расположены на задней стороне агрегата. При соединении патрубков с трубопроводом необходимо защитить их от скручивания. Также не допускается нагружать патрубки весом трубопровода.

Слив теплоносителя расположен на подающем патрубке (IN), а вентиляционный – на обратном (OUT).



Тепловентилятор можно поворачивать горизонтально относительно монтажного кронштейна. Для этого необходимо использовать гибкие гидравлические соединения. Максимальный угол поворота нагревателя относительно монтажной консоли составляет 70° HEATER CONDENS MAX, 78° для HEATER CONDENS CR 1,2,3 и 68° HEATER CONDENS ONE в обоих направлениях, при условии, что это позволяют гидравлические соединения. На чертеже показан максимальный угол в одном направлении и угол 50° в другом с достаточным пространством для соединительных патрубков.

## 7. АВТОМАТИКА

К тепловентилятору может быть добавлен комплект автоматики (напряжение питания 230В), который включает в себя:

- ☛ Пульт управления COMFORT – ручной комнатный термостат и трехступенчатный переключатель скоростей. Один пульт управления может контролировать работу 6 шт. HEATER CONDENS ONE, 3 шт. HEATER CONDENS или 2 шт. HEATER CONDENS MAX
- ☛ Двухходовой клапан с сервоприводом - клапан должен быть установлен на возвратном трубопроводе тепловентилятора
- ☛ Пульт управления INTELLIGENT имеет функцию автоматического переключения скоростей, в зависимости от температуры в помещении, планирования недельного цикла работы, а также возможность работы с системой BMS. Один пульт управления может контролировать работу 4 шт. HEATER CONDENSE One, 2 шт. HEATER CONDENS или 1 шт. HEATER CONDENS MAX
- ☛ Splitter MULTI16 – соединительный шкаф к которому можно подключить и посредством пульта управления COMFORT/INTELLIGENT контролировать работу 6 шт. HEATER CONDENS, 6 шт. HEATER CONDENS MAX или 12 шт. HEATER CONDENS One

После выполнения соединений между термостатом и приводом клапана, подачи напряжения 230 В на термостат и подачи питания на двигатель вентилятора через регулятор скорости система готова к работе.



### Описание переключателей Panel COMFORT

**OFF-I-II-III** – Включение и выключение тепловентилятора и переключение скоростей

**HEAT** - термостат подает сигнал на сервопривод и вентилятор, вентилятор выключается при достижении заданной температуры, клапан перекрывает поток воды

**FAN** - работа вентилятора устройства от термостата, клапаны не работают

**COOL** - термостат подает сигнал на привод и вентилятор, устройство запускается выше установленной температуры

## 8. ПЕРВЫЙ ЗАПУСК / ВКЛЮЧЕНИЕ АГРЕГАТА

После выполнения всех подключений (электричество, теплоноситель и автоматика) и проверки герметичности всех выполненных установщиком соединений, спуска воздуха можно запускать устройство согласно следующей последовательности действий:

- 8.1. включить главный выключатель,
- 8.2. установить желаемую скорость вентилятора, выбрав соответствующий режим работы на панели управления,
- 8.3. установите желаемую температуру на термостате

## 9. ВЫКЛЮЧЕНИЕ АГРЕГАТА

Для выключения агрегата необходимо совершить следующие действия:

- 9.1. Регулятор термостата перевести на минимальную температуру, после ок. 4 минут закроется клапан и выключение обогрева
- 9.2. Главнй переключатель перевести в положение „OFF“, агрегат будет выключен.

## 10. ЭКСПЛУАТАЦИЯ УСТРОЙСТВА

Двигатель с вентилятором, используемый в агрегатах HEATER CONDENS не требует специального техобслуживания, но следует периодически проверять состояние двигателя и подшипников (крыльчатка вентилятора должна свободно вращаться вокруг своей оси, без каких-либо осевых или радиальных отклонений, а также без специфических звуков указывающих на неисправность элемента (стук, скрип, трение)

### ВАЖНО!

- ❶ Если во время работы слышны металлические стуки, возникают вибрации или повышается уровень шума, издаваемого устройством, проверьте, не ослабло ли крепление вентилятора – в случае возникновения проблем обратитесь к установщику устройства или непосредственно в авторизованный сервисный центр SONNIGER

## 11. КОНСЕРВАЦИЯ

Теплообменник отопителя требует регулярной очистки от любых загрязнений. Перед началом отопительного сезона очистите теплообменник сжатым воздухом, направив его на воздуховыпускные отверстия; нет необходимости разбирать устройство. Из-за возможности легкого повреждения ребер теплообменника будьте особенно осторожны при очистке. Если ребра погнуты, выпрямите их с помощью специально предназначенного для этого инструмента. Если устройство не используется в течение длительного времени, отключите его от источника питания до повторного использования. Теплообменник не имеет защиты от возгорания. Теплообменник может быть поврежден, если температура в помещении упадет ниже 0°C.

Если агрегат эксплуатируется в помещении, где температура опускается ниже 0°C, в циркулирующую воду необходимо добавлять антифриз. Антифриз должен быть совместим с материалом теплообменника (медь) и других компонентов гидравлического контура. Жидкость следует разбавлять в соответствующей пропорции, рекомендованной производителем жидкости.

12. ТЕХНИЧЕСКИЕ ПАРАМЕТРЫ HEATER CONDENS

HEATER CONDENS CR ONE																															
Характеристики теплоносителя		50/30					60/40					70/50					80/60					90/70					120/90				
Температура воздуха на входе		0	5	10	15	20	0	5	10	15	20	0	5	10	15	20	0	5	10	15	20	0	5	10	15	20	0	5	10	15	20
		Расход воздуха 1600 м³/ч ( скорость 3 )																													
Производительность	[кВт]	6,7	5,6	4,6	3,4	1,8	9,7	8,6	7,5	6,3	5,2	12,5	11,4	10,2	9,1	7,9	15,6	14,4	13,2	12,0	10,8	18,7	17,5	16,2	15,0	13,8	25,7	24,4	23,1	21,8	20,5
Темп. воздуха на выходе	[°C]	14,4	16,7	19,0	21,1	22,2	19,8	22,2	24,7	27,1	29,4	24,9	27,4	29,9	32,3	34,8	29,9	32,4	35,0	37,5	40,0	35,0	37,5	40,1	42,6	45,2	46,4	49,0	51,6	54,1	56,6
Расход воды	[м³/ч]	0,4	0,3	0,3	0,2	0,1	0,5	0,4	0,4	0,3	0,3	0,6	0,6	0,5	0,4	0,4	0,7	0,7	0,6	0,6	0,5	0,9	0,8	0,7	0,7	0,6	0,8	0,7	0,7	0,6	0,6
Гидравлическое сопротивление	[кПа]	5,0	3,6	2,5	1,5	0,5	8,0	6,5	5,0	3,7	2,6	11,5	9,7	8,0	6,5	5,1	15,4	13,3	11,4	9,6	8,0	19,6	17,4	15,2	13,2	11,3	14,7	13,4	12,2	11,0	9,8
		Расход воздуха 1200 м³/ч ( скорость 2 )																													
Производительность	[кВт]	5,6	4,7	3,8	2,8	1,6	8,1	7,1	6,2	5,3	4,3	10,4	9,4	8,5	7,5	6,6	12,9	11,9	11,0	10,0	9,0	15,5	14,5	13,5	12,5	11,5	21,3	20,2	19,2	18,1	17,1
Темп. воздуха на выходе	[°C]	16,0	18,1	20,0	21,8	23,1	21,9	24,1	26,3	28,5	30,6	27,6	29,8	32,1	34,3	36,5	33,1	35,5	37,7	40,0	42,3	38,7	41,1	43,3	45,7	47,9	51,4	53,8	56,0	58,3	60,6
Расход воды	[м³/ч]	0,3	0,3	0,2	0,2	0,1	0,4	0,4	0,3	0,3	0,2	0,5	0,5	0,4	0,4	0,3	0,6	0,6	0,5	0,5	0,4	0,7	0,7	0,6	0,6	0,5	0,6	0,6	0,6	0,5	0,5
Гидравлическое сопротивление	[кПа]	3,6	2,6	1,8	1,0	0,4	5,8	4,6	3,6	2,7	1,9	8,3	7,0	5,8	4,6	3,6	11,0	9,5	8,2	6,9	5,7	14,0	12,4	10,9	9,5	8,1	10,5	9,6	8,7	8,8	7,1
		Расход воздуха 750 м³/ч ( скорость 1 )																													
Производительность	[кВт]	4,0	3,4	2,7	1,8	1,3	5,9	5,2	4,5	3,8	3,1	7,6	6,9	6,2	5,5	4,8	9,4	8,7	8,0	7,3	6,6	11,3	10,5	9,8	9,1	8,3	14,8	14,7	14,0	13,2	12,4
Температура воздуха на выходе	[°C]	18,6	20,1	21,6	22,1	24,6	25,5	27,4	29,2	30,9	32,5	32,1	33,9	35,9	37,7	39,4	38,6	40,4	42,4	44,2	46,0	45,0	47,0	48,8	1,8	52,6	59,8	61,8	63,7	65,5	67,4
Расход воды	[м³/ч]	0,2	0,2	0,1	0,1	0,1	0,3	0,3	0,2	0,2	0,2	0,4	0,3	0,3	0,3	0,2	0,4	0,4	0,4	0,3	0,3	0,5	0,5	0,5	0,4	0,4	0,5	0,4	0,4	0,4	0,4
Гидравлическое сопротивление	[кПа]	2,0	1,5	1,0	0,5	0,3	3,3	2,6	2,1	1,5	1,1	4,7	3,9	3,3	2,6	2,1	6,2	5,4	4,6	3,9	3,3	7,9	7,0	6,1	5,3	4,6	5,9	5,4	4,9	4,4	4,0
HEATER CONDENS CR1																															
Характеристики теплоносителя		50/30					60/40					70/50					80/60					90/70					120/90				
Температура воздуха на входе		0	5	10	15	20	0	5	10	15	20	0	5	10	15	20	0	5	10	15	20	0	5	10	15	20	0	5	10	15	20
		Расход воздуха 3900 м³/ч ( скорость 3 )																													
Производительность	[кВт]	8,7	7,1	5,4	3,6	1,7	12,4	10,8	9,3	7,7	6,1	16,0	14,4	12,9	11,3	9,7	21,1	19,4	17,6	15,9	14,2	23,0	21,4	19,7	17,9	16,1	37,9	35,9	33,9	31,9	29,9
Темп. воздуха на выходе	[°C]	7,3	10,5	14,2	17,8	21,3	10,2	14,4	18,5	22,7	26,9	12,8	16,9	21,2	25,3	29,4	17,2	21,7	26,3	30,8	35,5	18,0	25,8	30,7	35,5	40,3	30,7	36,0	41,3	46,6	51,9
Расход воды	[м³/ч]	0,4	0,3	0,2	0,2	0,1	0,5	0,5	0,4	0,3	0,3	0,7	0,6	0,6	0,5	0,4	0,8	0,8	0,7	0,6	0,6	0,8	0,8	0,7	0,7	0,6	0,9	0,8	0,8	0,7	0,7
Гидравлическое сопротивление	[кПа]	2,8	1,9	1,2	0,6	0,2	4,8	3,8	2,9	2,1	1,4	7,1	5,9	4,8	3,8	2,9	9,7	8,4	7,1	5,9	4,8	9,7	8,7	7,7	6,8	5,9	9,4	8,5	7,7	6,9	6,1
		Расход воздуха 2500 м³/ч ( скорость 2 )																													
Производительность	[кВт]	6,7	5,5	4,2	2,1	1,5	9,7	8,5	7,2	6,0	4,7	12,5	11,3	10,0	8,8	7,6	16,4	15,1	13,8	12,4	11,1	21,0	19,5	18,1	16,6	15,2	29,6	28,0	26,5	24,9	23,4
Темп. воздуха на выходе	[°C]	8,8	11,6	15,0	17,6	21,8	12,4	16,3	20,2	24,1	28,0	15,6	19,5	23,3	27,2	31,1	20,9	25,2	29,4	33,7	38,0	25,6	30,1	34,6	39,0	43,6	37,4	42,3	47,3	52,2	57,3
Расход воды	[м³/ч]	0,3	0,2	0,2	0,1	0,1	0,4	0,4	0,3	0,3	0,2	0,5	0,5	0,4	0,4	0,3	0,7	0,6	0,5	0,5	0,4	0,8	0,7	0,7	0,6	0,6	0,7	0,6	0,6	0,6	0,5
Гидравлическое сопротивление	[кПа]	1,8	1,2	0,8	0,2	0,1	3,1	2,4	1,9	1,3	0,9	4,6	3,8	3,1	2,5	1,9	6,3	5,4	4,6	3,8	3,1	8,0	7,1	6,2	5,3	4,5	6,0	5,5	4,9	4,4	4,0
		Расход воздуха 1850 м³/ч ( скорость 1 )																													
Производительность	[кВт]	5,6	4,5	3,4	2,0	1,4	8,1	7,1	6,1	5,0	3,9	10,5	9,5	8,4	7,4	6,4	13,8	12,7	11,6	10,4	9,3	17,6	16,4	15,2	14,0	12,8	24,8	23,5	22,2	20,9	19,6
Темп. воздуха на выходе	[°C]	9,9	12,4	15,5	18,2	22,3	14,0	17,8	21,5	25,1	28,6	17,7	21,4	25,1	28,7	32,3	23,6	27,7	31,8	35,8	39,8	29,0	33,2	37,5	41,8	45,9	42,3	47,0	51,8	56,4	61,2
Расход воды	[м³/ч]	0,3	0,2	0,2	0,1	0,1	0,4	0,3	0,3	0,2	0,2	0,5	0,4	0,4	0,3	0,3	0,6	0,5	0,5	0,4	0,4	0,8	0,7	0,7	0,6	0,6	0,6	0,5	0,5	0,5	0,4
Гидравлическое сопротивление	[кПа]	1,3	0,9	0,5	0,2	0,1	2,3	1,8	1,4	1,0	0,6	3,4	2,8	2,3	1,8	1,4	4,6	3,9	3,3	2,8	2,3	5,9	5,2	4,5	3,9	3,3	4,4	4,0	3,6	3,2	2,9
HEATER CONDENS CR2																															
Характеристики теплоносителя		50/30					60/40					70/50					80/60					90/70					120/90				
Температура воздуха на входе		0	5	10	15	20	0	5	10	15	20	0	5	10	15	20	0	5	10	15	20	0	5	10	15	20	0	5	10	15	20
		Расход воздуха 3350 м³/ч ( скорость 3 )																													
Производительность	[кВт]	12,5	10,5	8,4	6,1	2,8	19,6	17,3	15,0	12,6	10,2	26,2	23,7	21,3	18,8	16,3	32,5	30,0	27,5	24,9	22,4	39,3	36,7	34,0	31,4	28,8	53,4	50,7	48,0	45,3	42,6
Темп. воздуха на выходе	[°C]	10,7	14,3	16,9	19,5	21,9	16,6	19,0	21,2	23,5	25,8	22,1	24,6	27,1	29,5	32,0	27,2	29,7	32,2	34,8	37,3	32,4	35,0	37,6	40,2	42,7	45,0	47,6	50,4	53,1	55,9
Расход воды	[м³/ч]	0,7	0,6	0,5	0,3	0,2	1,0	0,8	0,7	0,6	0,5	1,2	1,1	1,0	0,9	0,8	1,5	1,3	1,2	1,1	1,0	1,7	1,6	1,5	1,4	1,2	1,5	1,4	1,3	1,3	1,2
Гидравлическое сопротивление	[кПа]	4,4	3,2	2,1	1,2	0,3	7,2	5,8	4,4	3,3	2,2	10,5	8,8	7,2	5,8	4,5	14,1	12,2	10,4	8,8	7,2	18,2	16,0	14,0	12,1	10,4	13,6	12,4	11,2	10,1	9,0
		Расход воздуха 2000 м³/ч ( скорость 2 )																													
Производительность	[кВт]	9,1	7,6	6,0	4,2	2,4	14,2	12,6	10,9	9,2	7,4	19,0	17,2	15,5	13,7	11,9	23,5	21,7	19,9	18,1	16,3	28,4	26,5	24,6	22,7	20,9	38,6	36,7	34,8	32,8	30,9
Темп. воздуха на выходе	[°C]	12,9	19,4	21,4	23,0	24,5	20,2	22,1	23,9	25,8	27,7	26,9	28,9	30,9	33,0	35,0	32,9	35,0	37,1	39,2	41,3	39,2	41,4	43,5	45,6	47,8	54,5	56,7	59,0	61,2	63,4
Расход воды	[м³/ч]	0,5	0,4	0,3	0,2	0,1	0,7	0,6	0,5	0,4	0,4	0,9	0,8	0,7	0,6	0,5	1,1	1,0	0,9	0,8	0,7	1,2	1,1	1,1	1,0	0,9	1,1	1,0	1,0	0,9	0,9
Гидравлическое сопротивление	[кПа]	2,5	1,8	1,2	0,6	0,2	4,1	3,3	2,5	1,9	1,3	5,9	4,9	4,1	3,3	2,6	7,9	6,8	5,8	4,9	4,1	10,1	8,9	7,8	6,8	5,8	7,6	6,9	6,3	5,7	5,1
		Расход воздуха 1450 м³/ч ( скорость 1 )																													
Производительность	[кВт]	7,3	6,1	4,8	2,9	2,1	11,5	10,2	8,8	7,4	6,0	15,3	13,9	12,5	11,1	9,6	19,0	17,5	16,1	14,6	13,2	22,9	21,4	19,9	18,4	16,9	31,2	29,6	28,1	26,5	25,0
Темп. воздуха на выходе	[°C]	14,4	15,7	16,8	16,9	19,1	22,5	24,1	25,8	27,3	28,8	29,9	31,7	33,5	35,2	37,0	36,6	38,4	40,2	42,1	43,9	43,5	45,4	47,3	49,2	51,1	60,6	62,5	64,6	66,5	68,4
Расход воды	[м³/ч]	0,4	0,3	0,3	0,2	0,1	0,6	0,5	0,4	0,4	0,3	0,7	0,6	0,6	0,5	0,4	0,8	0,8	0,7	0,7	0,6	1,0	0,9	0,9	0,8	0,7	0,9	0,8	0,8	0,7	0,7
Гидравлическое сопротивление	[кПа]	1,7	1,2	0,8	0,3	0,2	2,8	2,2	1,7	1,3	0,9	4,0	3,4	2,8	2,2	1,8	5,4	4,7	4,0	3,4	2,8	6,9	6,1	5,3	4,6	4,0	5,2	4,7	4,3	3,9	3,5
HEATER CONDENS CR3																															
Характеристики теплоносителя		50/30					60/40					70/50					80/60					90/70					120/90				
Температура воздуха на входе		0	5	10	15	20	0	5	10	15	20	0	5	10	15	20	0	5	10	15	20	0	5	10	15	20	0	5	10	15	20
		Расход воздуха 2950 м³/ч ( скорость 3 )																													
Производительность	[кВт]	20,0	17,0	14,0	10,8	7,2	27,9	24,8	21,7	18,6	15,3	35,3	32,1	29,0	25,																

## Технический паспорт и руководство по эксплуатации HEATER CONDENS v202301

### HEATER CONDENS CR2 MAX

Характеристики теплоносителя		50/30					60/40					70/50					80/60					90/70					120/90				
		0	5	10	15	20	0	5	10	15	20	0	5	10	15	20	0	5	10	15	20	0	5	10	15	20	0	5	10	15	20
Температура воздуха на входе																															
<b>Расход воздуха 5700 м³/ч (скорость 3)</b>																															
Производительность [кВт]		24,5	20,5	16,5	12,3	7,5	32,2	28,3	24,5	20,6	16,7	39,7	35,9	32,0	28,3	24,5	47,5	43,6	39,8	36,0	32,2	55,0	51,1	47,2	43,4	39,6	72,4	68,5	64,5	60,6	56,8
Темп. воздуха на выходе [°C]		13,7	16,8	19,8	22,7	25,0	18,0	21,1	24,2	27,3	30,2	22,3	25,5	28,6	31,7	34,8	26,0	29,2	32,3	35,4	38,4	30,1	33,3	36,4	39,5	42,6	39,3	42,6	45,9	49,1	52,2
Расход воды [м³/ч]		0,8	0,6	0,5	0,4	0,2	1,0	0,9	0,8	0,7	0,5	1,3	1,2	1,0	0,9	0,8	1,5	1,4	1,3	1,2	1,0	1,8	1,7	1,5	1,4	1,3	1,6	1,5	1,4	1,3	1,3
Гидравлическое сопротивление [кПа]		3,5	2,5	1,7	0,9	0,3	5,8	4,6	3,5	2,6	1,8	8,4	7,0	5,7	4,5	3,5	11,3	9,7	8,2	6,8	5,6	14,5	12,7	11,0	9,4	8,0	10,9	9,8	8,8	7,9	7,0
<b>Расход воздуха 3900 м³/ч (скорость 2)</b>																															
Производительность [кВт]		19,6	16,4	13,1	9,7	4,4	25,7	22,6	19,5	16,5	13,4	31,7	28,6	25,6	22,6	19,6	37,8	34,7	31,7	28,7	25,7	43,7	40,6	37,6	34,5	31,5	57,4	54,3	51,1	48,0	45,0
Темп. воздуха на выходе [°C]		15,9	18,6	21,3	23,7	24,4	20,9	23,7	26,6	29,2	31,8	25,9	28,8	31,6	34,5	37,2	30,2	33,1	36,0	38,7	41,5	34,9	37,8	40,7	43,5	46,3	45,8	48,8	51,9	54,8	57,7
Расход воды [м³/ч]		0,9	0,8	0,6	0,5	0,2	1,3	1,1	1,0	0,8	0,7	1,6	1,4	1,3	1,1	1,0	1,9	1,8	1,6	1,4	1,3	2,2	2,1	1,9	1,8	1,6	2,0	1,9	1,8	1,7	1,5
Гидравлическое сопротивление [кПа]		5,1	3,7	2,5	1,4	0,4	8,5	6,7	5,2	3,8	2,6	12,3	10,2	8,3	6,7	5,1	16,6	14,2	12,0	10,0	8,2	21,4	18,7	16,2	13,9	11,8	16,1	14,5	13,0	11,6	10,3
<b>Расход воздуха 2800 м³/ч (скорость 1)</b>																															
Производительность [кВт]		15,9	13,3	10,6	7,7	4,0	20,9	18,4	15,9	13,4	10,8	25,6	23,2	20,7	18,3	15,9	30,6	28,1	25,6	23,2	20,8	35,3	32,8	30,4	27,9	25,5	46,5	43,9	41,3	38,9	36,4
Темп. воздуха на выходе [°C]		18,0	20,4	22,7	24,5	25,4	23,6	26,2	28,7	31,0	33,3	29,2	31,9	34,5	37,0	39,4	34,0	36,8	39,3	41,8	44,2	39,3	42,0	44,6	47,1	49,7	51,5	54,5	57,2	59,9	62,5
Расход воды [м³/ч]		0,8	0,6	0,5	0,4	0,2	1,0	0,9	0,8	0,7	0,5	1,3	1,2	1,0	0,9	0,8	1,5	1,4	1,3	1,2	1,0	1,8	1,7	1,5	1,4	1,3	1,6	1,5	1,4	1,3	1,3
Гидравлическое сопротивление [кПа]		3,5	2,5	1,7	0,9	0,3	5,8	4,6	3,5	2,6	1,8	8,4	7,0	5,7	4,5	3,5	11,3	9,7	8,2	6,8	5,6	14,5	12,7	11,0	9,4	8,0	10,9	9,8	8,8	7,9	7,0

### HEATER CONDENS CR3 MAX

Характеристики теплоносителя		50/30					60/40					70/50					80/60					90/70					120/90				
		0	5	10	15	20	0	5	10	15	20	0	5	10	15	20	0	5	10	15	20	0	5	10	15	20	0	5	10	15	20
Температура воздуха на входе																															
<b>Расход воздуха 5600 м³/ч (скорость 3)</b>																															
Производительность [кВт]		31,9	27,0	22,2	17,2	11,8	41,6	36,8	32,0	27,3	22,5	53,0	48,0	43,1	38,2	33,3	61,9	57,0	52,1	47,3	42,5	74,2	69,0	63,9	58,9	53,9	96,6	91,4	86,3	81,2	76,2
Темп. воздуха на выходе [°C]		20,9	24,8	28,4	31,9	35,1	27,3	31,4	35,5	39,3	43,2	35,0	39,3	43,3	47,4	51,3	41,0	45,5	49,9	54,1	58,2	49,1	53,5	57,9	62,2	66,4	63,2	68,1	72,6	77,2	81,8
Расход воды [м³/ч]		1,4	1,2	0,9	0,7	0,5	1,7	1,5	1,3	1,1	0,9	2,2	2,0	1,8	1,6	1,4	2,6	2,4	2,2	2,0	1,8	3,1	2,8	2,6	2,4	2,2	2,6	2,5	2,4	2,2	2,1
Гидравлическое сопротивление [кПа]		10,5	7,8	5,4	3,4	1,7	15,9	12,7	9,9	7,4	5,2	23,7	19,8	16,3	13,1	10,2	30,1	25,9	22,0	18,4	15,2	40,3	35,3	30,7	26,5	22,5	28,9	26,1	23,5	21,0	18,7
<b>Расход воздуха 3800 м³/ч (скорость 2)</b>																															
Производительность [кВт]		25,3	21,4	17,5	13,5	9,0	32,9	29,1	25,3	21,6	17,8	41,9	37,9	34,0	30,2	26,4	48,9	45,0	41,1	37,3	33,5	58,4	54,3	50,3	46,4	42,4	76,2	72,1	68,0	64,0	60,0
Темп. воздуха на выходе [°C]		24,2	27,6	30,8	33,8	36,0	31,6	35,3	38,9	42,3	45,6	40,4	44,3	47,9	51,5	55,0	47,4	51,5	55,4	59,2	62,9	56,5	60,6	64,6	68,4	72,1	72,9	77,4	81,7	85,8	89,8
Расход воды [м³/ч]		1,1	0,9	0,7	0,6	0,4	1,4	1,2	1,1	0,9	0,7	1,7	1,6	1,4	1,3	1,1	2,0	1,9	1,7	1,5	1,4	2,4	2,2	2,1	1,9	1,8	2,1	2,0	1,9	1,7	1,6
Гидравлическое сопротивление [кПа]		6,9	5,1	3,6	2,2	1,1	10,4	8,3	6,5	4,8	3,4	15,4	12,9	10,6	8,5	6,7	19,6	16,8	14,3	12,0	9,9	26,1	22,9	19,9	17,1	14,6	18,7	16,9	15,2	13,6	12,1
<b>Расход воздуха 2750 м³/ч (скорость 1)</b>																															
Производительность [кВт]		20,1	17,3	14,1	10,8	6,1	26,5	23,5	20,4	17,4	14,4	33,7	30,5	27,4	24,3	21,2	39,3	36,2	33,1	30,0	27,0	46,9	43,7	40,4	37,2	34,1	61,3	58,0	54,7	51,4	48,2
Темп. воздуха на выходе [°C]		27,2	30,1	32,8	35,2	35,5	35,5	38,8	41,9	45,1	47,8	45,3	48,8	52,1	55,1	58,2	53,2	56,8	60,3	63,7	67,1	63,1	66,8	70,5	73,9	77,3	81,7	85,8	89,7	93,5	97,1
Расход воды [м³/ч]		0,9	0,7	0,6	0,5	0,3	1,1	1,0	0,9	0,7	0,6	1,4	1,3	1,1	1,0	0,9	1,6	1,5	1,4	1,2	1,1	1,9	1,8	1,7	1,5	1,4	1,7	1,6	1,5	1,4	1,3
Гидравлическое сопротивление [кПа]		4,7	3,5	2,4	1,5	0,5	7,0	5,6	4,4	3,3	2,3	10,4	8,7	7,2	5,8	4,5	13,2	11,3	9,6	8,1	6,7	17,5	15,3	13,3	11,5	9,8	12,6	11,4	10,2	9,2	8,1

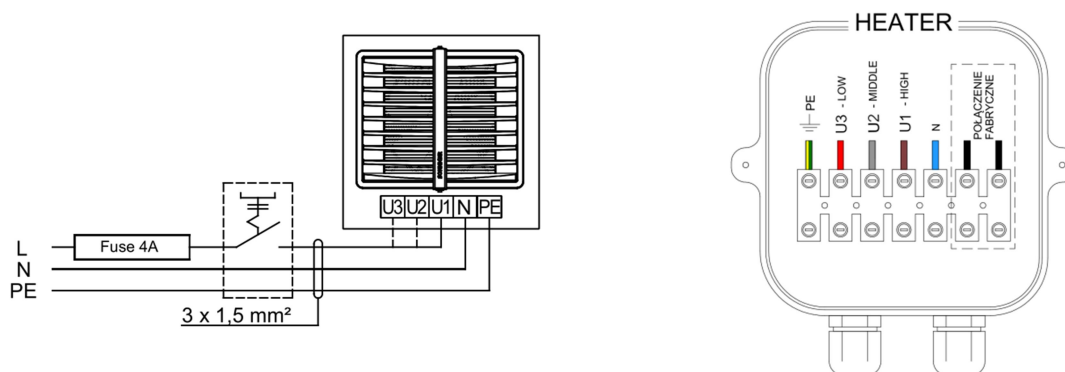
### HEATER CONDENS CR4 MAX

Характеристики теплоносителя		50/30					60/40					70/50					80/60					90/70					120/90				
		0	5	10	15	20	0	5	10	15	20	0	5	10	15	20	0	5	10	15	20	0	5	10	15	20	0	5	10	15	20
Температура воздуха на входе																															
<b>Расход воздуха 5100 м³/ч (скорость 3)</b>																															
Производительность [кВт]		42,1	35,7	29,3	22,9	16,0	54,1	47,9	41,7	35,5	29,3	68,3	61,9	55,5	49,2	42,9	79,5	73,1	66,8	60,6	54,4	93,9	87,3	80,8	74,4	68,0	121,6	115,0	108,4	101,9	95,5
Темп. воздуха на выходе [°C]		26,9	29,8	32,6	35,3	37,6	34,7	38,1	41,2	44,3	47,1	44,1	47,5	50,6	53,8	56,8	51,0	54,5	57,9	61,2	64,5	60,1	63,6	67,0	70,4	73,5	78,0	81,8	85,5	89,2	92,6
Расход воды [м³/ч]		1,6	1,4	1,1	0,9	0,6	2,1	1,8	1,6	1,4	1,1	2,6	2,4	2,1	1,9	1,6	3,0	2,8	2,6	2,3	2,1	3,6	3,4	3,1	2,9	2,6	3,1	3,0	2,8	2,6	2,5
Гидравлическое сопротивление [кПа]		14,3	10,7	7,5	4,8	2,5	21,6	17,3	13,5	10,1	7,2	32,1	26,8	22,0	17,7	13,8	40,8	35,1	29,8	24,9	20,5	54,3	47,5	41,3	35,5	30,2	39,2	35,4	31,8	28,4	25,2
<b>Расход воздуха 3400 м³/ч (скорость 2)</b>																															
Производительность [кВт]		32,3	27,4	22,5	17,5	12,1	41,4	36,7	32,0	27,3	22,5	52,2	47,2	42,4	37,6	32,9	60,6	55,8	51,0	46,2	41,5	71,5	66,4	61,5	56,6	51,7	92,8	87,7	82,6	77,7	72,8
Темп. воздуха на выходе [°C]		30,9	33,3	35,6	37,6	39,0	39,8	42,7	45,4	47,8	50,2	50,5	53,4	56,1	58,7	61,1	58,3	61,3	64,3	67,0	69,8	68,5	71,6	74,5	77,3	80,0	89,1	92,5	95,8	98,9	101,9
Расход воды [м³/ч]		1,2	1,1	0,9	0,7	0,5	1,6	1,4	1,2	1,0	0,9	2,0	1,8	1,6	1,4	1,3	2,3	2,1	1,9	1,8	1,6	2,7	2,6	2,4	2,2	2,0	2,4	2,3	2,1	2,0	1,9
Гидравлическое сопротивление [кПа]		8,9	6,6	4,6	2,9	1,5	13,3	10,7	8,3	6,3	4,4	19,6	16,4	13,5	10,9	8,5	25,0	21,4	18,2	15,3	12,6	33,0	28,9	25,1	21,6	18,3	23,9	21,6	19,4	17,3	15,4
<b>Расход воздуха 2400 м³/ч (скорость 1)</b>																															
Производительность [кВт]		25,3	21,5	17,6	13,6	9,0	32,4	28,7	25,0	21,4	17,7	40,7	36,9	33,1	29,4	25,7	47,3	43,5	39,7	36,1	32,4	55,6	51,6	47,8	44,0	40,2	72,3	68,3	64,4	60,5	56,7
Темп. воздуха на выходе [°C]		34,4	36,4	38,1	39,4	39,7	44,4	46,7	49,0	51,0	52,8	56,1	58,4	60,7	62,9	64,9	64,6	67,3	69,8	72,2	74,4	75,8	78,4	81,0	83,4	85,6	98,8	101,8	104,7	107,3	109,9
Расход воды [м³/ч]		1,0	0,8	0,7	0,5	0,3	1,2	1,1	1,0	0,8	0,7	1,6	1,4	1,3	1,1	1,0	1,8	1,7	1,5	1,4	1,2	2,1	2,0	1,8	1,7	1,5	1,9	1,8	1,7	1,6	1,5
Гидравлическое сопротивление [кПа]		5,7	4,2	3,0	1,9	0,9	8,6	6,9	5,4	4,0	2,9	12,5	10,5	8,6	6,9	5,4	15,9	13,6	11,6	9,7	8,0	20,9	18,3	15,9	13,6	11,6	15,2	13,7	12,3	11,0	9,7

### 13. СХЕМЫ ЭЛЕКТРИЧЕСКОГО ПОДКЛЮЧЕНИЯ

#### 13.1. Подключение агрегата HEATER CONDENS без автоматики

\* В комплект поставки не входит: автоматический выключатель, предохранители, кабель питания



#### Описание электропроводки двигателя

**U1** - высокая скорость – коричневый

**U2** - средняя скорость – серый

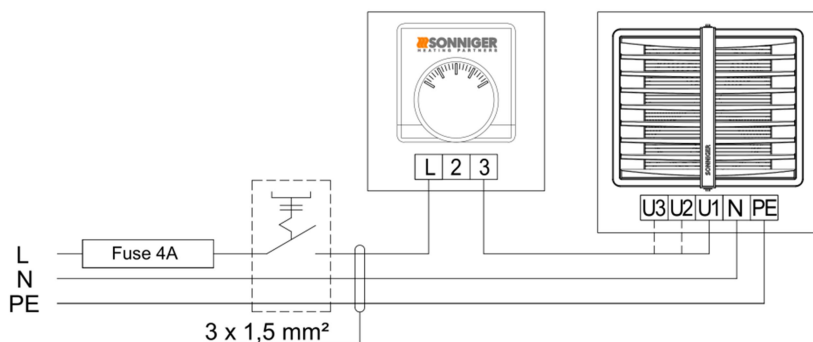
**U3** - низкая скорость – красный

**N** – нейтральный провод – синий

**PE** – заземление – желто-зеленый

#### 13.2. Подключение дестратификатора HEATER MIX с комнатным термостатом

\* В комплект поставки не входит: автоматический выключатель, предохранители, кабель питания



#### 13.3. Подключение нескольких обогревателей HEATER CONDENS с панелью управления COMFORT и клапанами и приводами

в состав устройства не входят: главный выключатель устройства, предохранители и кабель питания

Один пульт управления COMFORT может управлять:

- до 6 шт. HEATER CONDENS CR ONE
- до 3 шт. HEATER CONDENS
- до 2 шт. HEATER CONDENS MAX

**HEAT** - термостат подает рабочий сигнал на сервопривод и вентилятор, вентилятор выключается при достижении заданной температуры, клапан перекрывает поток воды

**FAN** - работа вентилятора устройства от термостата, клапаны не работают

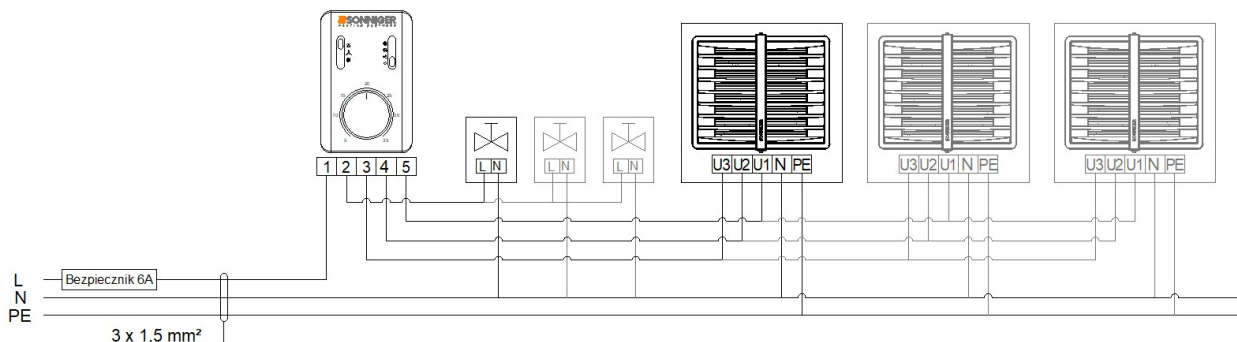
**COOL** - термостат подает сигнал на привод и вентилятор, устройство запускается выше установленной температуры

Внимание! Можно использовать дополнительное изменение положения перемычки SR1 на SR1 CONST, в этом случае можно управлять вентилятором независимо от термостата. Термостатический режим предназначен только для клапанов.

**HEAT** - работа вентилятора не зависит от термостата, клапаны работают до заданной температуры

**FAN** - вентилятор устройства работает независимо от термостата, клапаны не работают

**COOL** - работа вентилятора не зависит от термостата, клапаны включаются выше установленной температуры



### 13.4. Подключение HEATER CONDENS с панелью управления INTELLIGENT

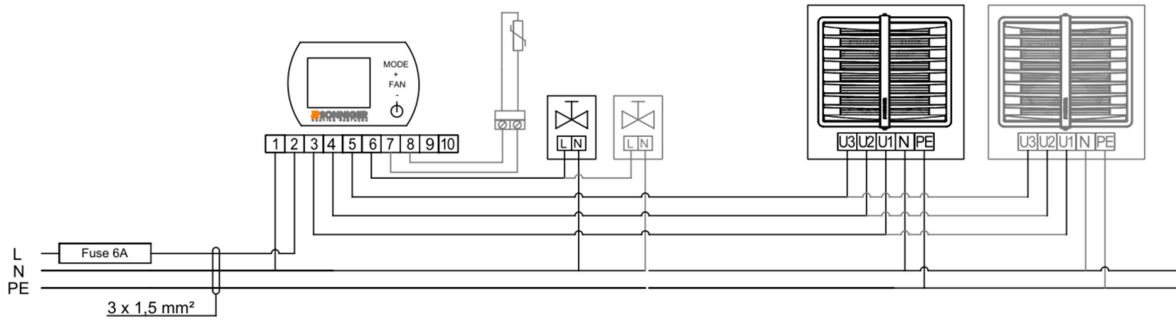
Панель INTELLIGENT управляет работой приводов/клапанов и скоростью вращения вентилятора отопительного агрегата в зависимости от заданной температуры в помещении. Скорость вентилятора автоматически меняется на меньшую при достижении заданной температуры в помещении. Возможность использования недельного программатора температуры и связи с системами BMS.

Имеется возможность подключения заводского выносного датчика NTC, длина 5 м, максимально допустимая длина кабеля до 20 м.

Панель управления INTELLIGENT может управлять работой:

- до 4 шт. HEATER CONDENS CR ONE
- до 2 шт. HEATER CONDENS
- 1 шт. HEATER CONDENS CR MAX

\* в комплект не входят: главный выключатель устройства, предохранители и кабель питания

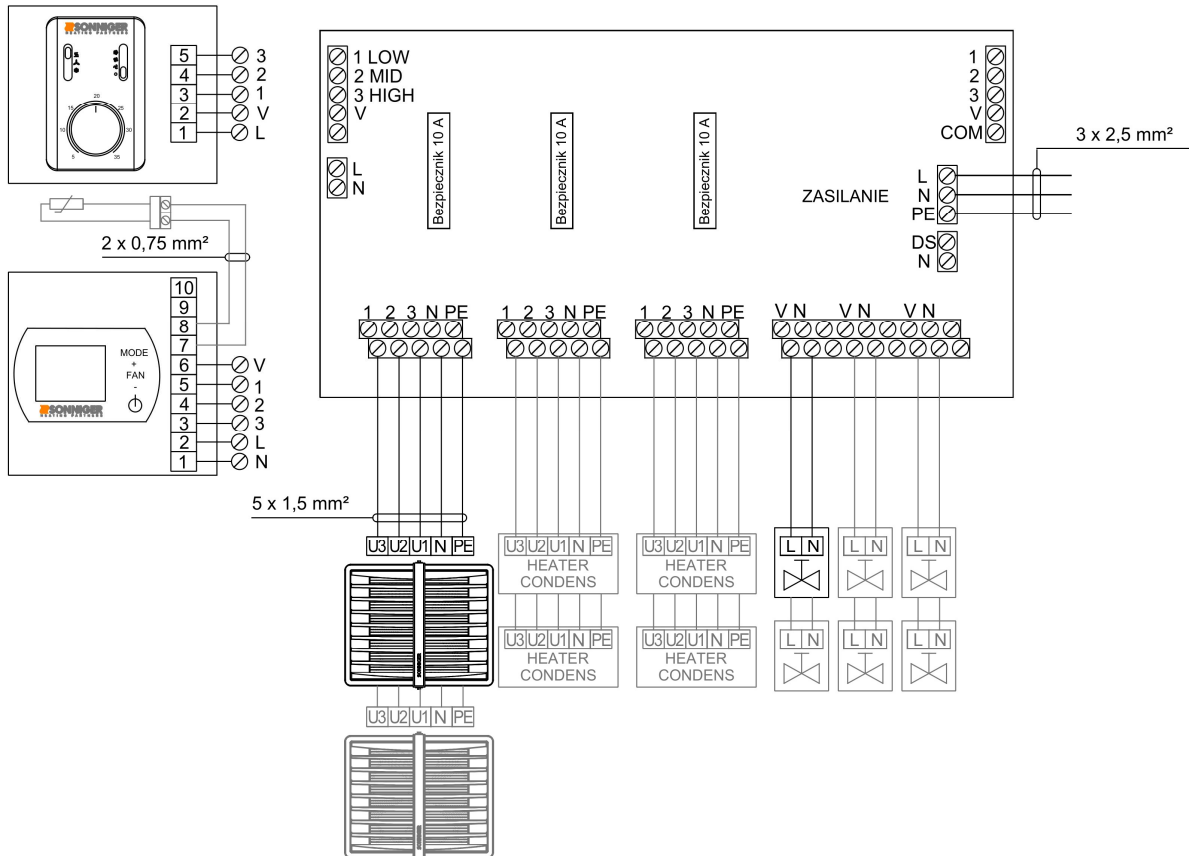


### 13.5. Разделитель сигналов MULTI 6 — возможность подключения до 6 устройств HEATER CONDENS и HEATER CONDENS CR MAX или 12 HEATER CONDENS CR ONE и управления ими при помощи панели COMFORT или INTELLIGENT

Разделитель сигналов MULTI 6 позволяет подключать и при подключении панели COMFORT или INTELLIGENT управлять большим количеством вентиляторов, нагревателей (макс. 6/12 шт.) и клапанов с приводами (макс. 6/12 шт.).

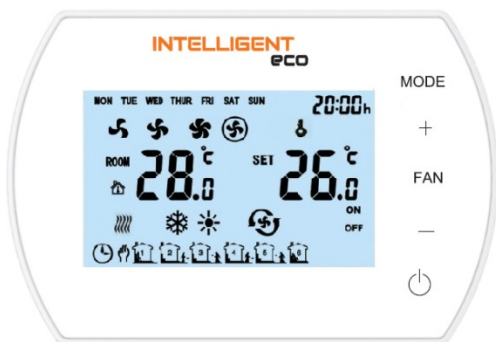
Работой вентиляторов и клапанов управляет панель управления COMFORT NEW или контроллер INTELLIGENT.

Для подключения более 6 вентиляторов, клапанов, возможно соединение нескольких MULTI6 друг с другом (максимальное расширение до 10 разделителей). При соединении распределительных шкафов между собой оставьте разъем DS-N в первом разомкнутым. В остальных распределителях (2,...10) разъем DS-N должен быть замкнут.



#### 14. Панель INTELLIGENT WIFI – руководство по программируемому контроллеру

Панель INTELLIGENT WIFI панель с недельным программатором и автоматическим режимом работы выбирает скорость вращения вентилятора в зависимости от заданной температуры. Чем ниже температура воздуха в помещении, тем больше расход воздуха. Скорость вентилятора изменяется автоматически без ручного вмешательства пользователя. Кроме того, данный манипулятор позволяет контролировать работу устройства через приложение на телефоне.



#### Функции

Показания температуры от внутреннего датчика или внешнего датчика NTC.

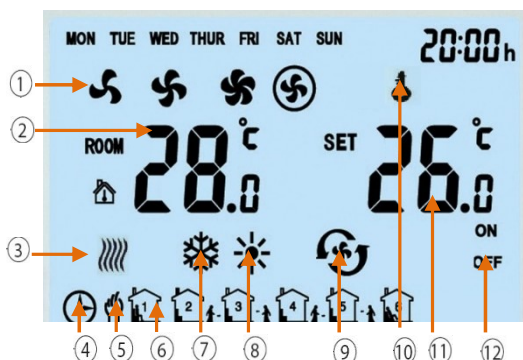
Ручное или автоматическое управление переключением скоростей вентилятора (3 позиции).

Недельное программирование 5/1/1 дней.

Защита от замерзания 5 ~ 15 °C.

Дистанционное управление из приложения TuYa Smart «Сухой контакт»

#### Opis panelu



- 1 Скорость вентилятора: I/II/III и AUTO.
2. ТЕМП. ПОМЕЩЕНИЯ. или ВНЕШНЕГО ДАТЧИКА ТЕМП. (измеренная температура)
3. Индикатор режима anti-freeze
4. Автоматический программируемый режим.
5. Ручной режим
6. временных периодов для каждого дня
7. Режим охлаждения
8. Режим отопления
9. Режим вентиляции
10. Блокировка кнопок
11. Заданная температура
12. ВКЛ / ВЫКЛ статус временных периодов



#### 13 – РЕЖИМ ПРОГРАММИРОВАНИЯ

Короткое нажатие для выбора ручного или автоматического режима.

Нажмите и удерживайте в течение 3 с для выбора режима охлаждения, обогрева или вентиляции.

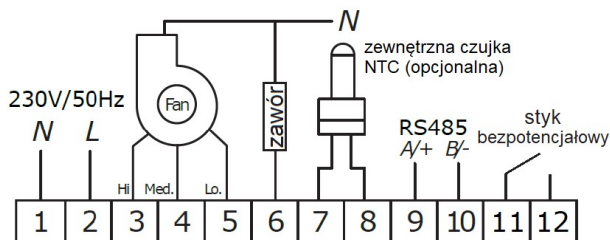
#### 14. ВЕНТИЛЯТОР

Короткое нажатие для выбора скорости вентилятора: Низкая, Средняя, Высокая или Авто.

15. ВКЛ / ВЫКЛ Пульт управления INTELLIGENT

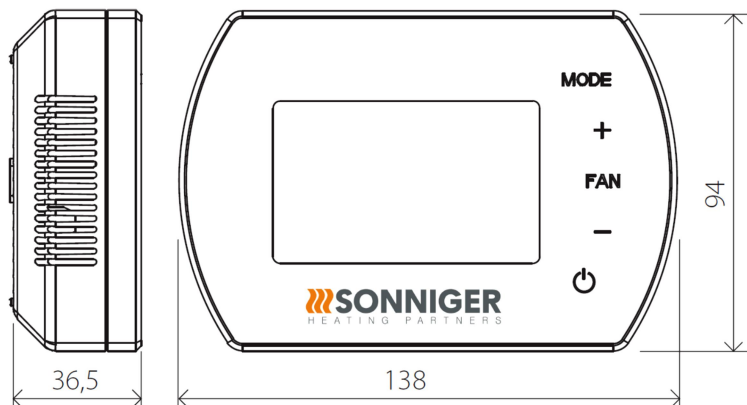
#### Технические характеристики

1	Источник питания	230V/50Hz
2	Диапазон регулировки температуры	5°C 40°C
3	Диапазон рабочих температур	-10°C 60°C
4	Класс IP	20
5	Датчик температуры	Внутренний / Внешний NTC (опционально)





## Размеры



## Настройка

Когда пульт управления INTELLIGENT выключен, нажмите и удерживайте „MODE” в течение 5 секунд

Чтобы выбрать опцию нажмите „MODE”

Чтобы изменить значение нажмите „+/-”

Слоты настроек	Опция	Значение
1	Калибровка температуры	-9°C ~ +9°C
2	EEPROM\ ЭСППЗУ	0: запомнено 1: не запомнено
3	Режим работы вентилятора	C1: Термостатический C2: Постоянный
4	Датчик температуры	0: Внутренний датчик 1: Внешний NTC
5	Antifreeze	0: ВЫКЛ 1: ВКЛ
6	Диапазон Anti-freeze	+5°C ~ +15°C
7	Сигнал ALARM	0: не доступен 1: доступен ALARM
8	Настройка беспотенциального контакта	0: NO 1: NC
9	Функции MODBUS	0: недоступно 1: доступно
10	Скорость BMS	0-2400 / 1-9600 / 2-19200
11	Настройки MODBUS	1~247 (01~F7)

### Разблокировка кнопок

Чтобы ЗАБЛОКИРОВАТЬ нажмите и удерживайте «+» и «-» одновременно в течение 5 секунд

Чтобы РАЗБЛОКИРОВАТЬ нажмите и удерживайте «+» и «-» одновременно в течение 5 секунд



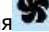

**Нажмите „MODE”**

Выбрать ручной режим  или автоматический режим 

**Удерживайте „MODE” в течение 5 секунд**

Выберите режим охлаждения , отопления , вентиляции 








**Нажмите „FAN”**

Выберите скорость вентилятора: низкая , средняя , высокая , автоматический режим 

**Удерживайте FAN в течение 5 секунд**

Ручная настройка календаря Понедельник-Пятница, Суббота, Воскресенье. Возможность установить до 6 временных периодов для каждой позиции календаря

### Функции BMS

-  настройка/чтение рабочих параметров
-  условия работы/прекращения работы
-  недельная программа
-  температура
-  скорость вентилятора
-  режим отопления, вентиляции, охлаждения
-  режим Anti-freeze

Технический паспорт и руководство по эксплуатации HEATER CONDENS v202301

№.	Функция	Параметр
1	Рабочий режим	RS-485 полудюплекс; ПК или главный контроллер – ведущий, термостат – ведомый
2	Интерфейс	A(+),B(-), 2 провода
3	Скорость бода	0-2400 / 1-9600 / 2-19200
4	Байт	Всего 9 бит: 8 бит данных, 1 бит прекращения работы
5	Modbus	Режим RTU (УСО)
6	Передача данных	RTU формат (см. инструкцию MODBUS)
7	Адрес термостата	1–247;(Широковещательный адрес, соответствует всем термостатам без сигнала)

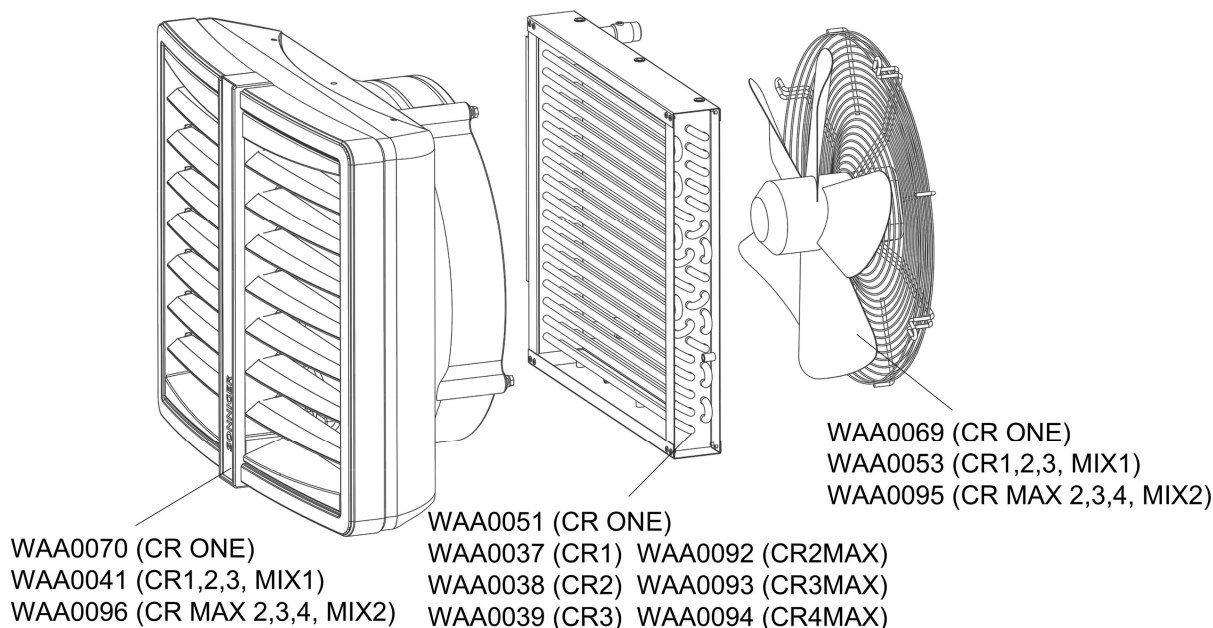
**Функции Wi-Fi**

- » Управление/Чтение
- » Работа устройства
- » Недельное расписание
- » Температура
- » Скорость вентилятора
- » Режим обогрева, охлаждения, вентиляции

**ПОДКЛЮЧЕНИЕ ПАНЕЛИ INTELLIGENT WIFI С ПРИЛОЖЕНИЕМ TUYA SMART**

1. Загрузите приложение TuYa Smart (доступно в App Store и Play Store)
2. Подключить панель управления к напряжению и устройству, панель управления должна быть выключена.
3. Включите Bluetooth и WiFi на телефоне на время подключения, а затем запустите приложение TuYa Smart
4. Для подключения на панели INTELLIGENT WIFI удерживайте кнопку «+» в течение 5 секунд, пока в левой части экрана не появится SA
5. Выберите функцию «Добавить устройство», приложение должно обнаружить панель управления, затем нажмите кнопку «Добавить», а после завершения процесса настройки нажмите «Далее» и «Готово».
6. При отсутствии функции «Добавить» выберите вкладку «Небольшие устройства» и функцию «Термостат (Wi-Fi)». Затем введите данные для подключения к выбранной сети WiFi и подтвердите, а затем «Blink slowly».
7. На экране появится информации о поиске устройства. После обнаружения драйвера процесс подключения запускается автоматически. После завершения процесса настройки нажмите «Далее» и «Готово»

**Составные элементы агрегата (запчасти)**



**СООТВЕТСТВИЕ ДИРЕКТИВЕ WEEE 2012/19/ЕС**

В соответствии с применимыми правовыми нормами (Закон от 29 июля 2005 г. об отходах электрического и электронного оборудования, Вестник законов 2005 г. № 180, поз. 1495 с поправками и Закон от 21 ноября 2008 г. о внесении изменений в Закон об отходах электрического и электронного оборудования и внесении изменений в некоторые другие актов, 33 от 2008 г. № 223, ст. 1464) при покупке нового электрического или электронного оборудования со следующим знаком:



Внимание! ПОМНИТЕ, ЗАПРЕЩАЕТСЯ РАЗМЕЩАТЬ Б/У ОБОРУДОВАНИЕ ВМЕСТЕ С ДРУГИМИ ОТХОДАМИ (статья 22(1) 33 2005 № 180, поз. 1495)

Для получения информации о системе сбора отходов электрического и электронного оборудования обратитесь к своему дистрибьютору.

## ОБЩИЕ УСЛОВИЯ ГАРАНТИИ НА УСТРОЙСТВО

### § 1. Гарантийные условия на приборы серии GUARD, GUARD PRO, HEATER CONDENS

1. По гарантии покупатель имеет право заменить устройство или его составную часть новым изделием, не имеющим дефектов, только в том случае, если в течение гарантийного срока изготовитель обнаружит, что устранение дефекта невозможно.
2. Доказательство покупки вместе с правильно заполненным гарантийным талоном является основанием для обращения пользователя за бесплатным ремонтом.
3. Настоящая гарантия распространяется на дефекты устройства, препятствующие его использованию по назначению. Гарантия не распространяется на монтажные и эксплуатационные работы.
4. Гарантийный срок составляет 24 месяца с даты поставки устройства Покупателю, которая указана в счете-фактуре и распространяется на все части/компоненты, входящие в комплект поставки.
5. Для проведения гарантийного ремонта пользователь обязан передать заявленное устройство в Сервисную службу Производителя.
6. По решению SONNIGER SA Производитель может предоставить устройство на замену на время гарантийного рассмотрения. За доставленное сменное устройство выставляется счет, который будет исправлен, если рекламация будет принята.
7. При обнаружении дефекта в результате сборки, ввода в эксплуатацию и эксплуатации устройства, не соответствующего технической и эксплуатационной документации, гарантия не признается.
8. Устройства могут вводиться в эксплуатацию и обслуживаться только лицами, обученными использованию и эксплуатации устройств, с соответствующими полномочиями. Все действия, связанные с пуско-наладочными, сервисными и ремонтными работами, должны регистрироваться в данном Гарантийном талоне.
9. Условием предоставления гарантии является сборка и запуск устройства в соответствии с технической и эксплуатационной документацией, выполненные не позднее 6 месяцев со дня покупки.
10. Условием сохранения гарантии на весь гарантийный срок является выполнение сервисных мероприятий, указанных в руководстве по эксплуатации и техническому обслуживанию данного устройства в разделе «Техническое обслуживание». Сервисные услуги, связанные с обслуживанием устройств, производятся по желанию и за счет Пользователя.
11. Оказание гарантийного обслуживания не прерывает и не приостанавливает гарантийный срок. Гарантия на замененные или отремонтированные компоненты устройства истекает по истечении гарантийного срока на устройство.

### § 2. Исключения из гарантии

1. Гарантия не распространяется на механические повреждения и повреждения электрических частей, возникшие в результате неправильного использования, транспортировки, скачков напряжения или других причин, не являющихся следствием дефектов изделия. Таким образом, гарантия распространяется только на замену деталей/компонентов с конструктивным дефектом, которая будет доставлена бесплатно только при возврате дефектной детали.
2. Гарантия на устройства не распространяется на случаи технических ошибок, возникающих при проведении процедур, связанных с установкой, наладкой и контролем, в частности таких как:
  - а. Дефекты, возникающие в результате подключения устройства к неадекватно спроектированным системам вентиляции, допускающим дополнительные тепловые нагрузки, отклоняющиеся от нормы и снижающие КПД теплообменника
  - б. Дефекты, возникшие в результате подключения к компонентам или деталям, которые являются частью системы отопления, но не были доставлены Продавцом и неисправность/функционирование которых негативно влияет на работу устройства.
  - в. Дефекты, вызванные подключением к компонентам, которые не являются оригинальными запчастями
  - г. Дефекты, возникающие в случае перепродажи изделия первым покупателем/пользователем последующему покупателю, разбирающему/устанавливающему ранее установленное и эксплуатировавшееся в указанных условиях устройство.
  - д. Дефекты, возникшие в результате недостаточной квалификации и невежества установщика и технического персонала, которые ненадлежащим образом осуществляют дальнейшее сервисное обслуживание устройства
  - е. Дефекты, возникшие в результате особых условий использования, отклоняющихся от стандартного применения, при условии, что стороны (Продавец и технический персонал заказчика) предварительно согласовали их в письменной форме.
  - ж. Дефекты, возникшие в результате стихийных бедствий, таких как пожары, взрывы и происшествия, которые могут повредить механические, электрические и предохранительные устройства изделия.
  - з. Дефекты, возникшие в результате неправильной уборки технического помещения или места, где установлено устройство, уборку необходимо проводить периодически, в зависимости от условий работы и скопления пыли.
  - и. Дефекты, возникшие в результате отсутствия или недостаточной очистки теплообменников устройства, очистку необходимо проводить периодически, в зависимости от условий работы и скопления пыли.
  - к. Дефекты, возникшие в результате неправильной установки, не адаптированной к низкой внешней температуре окружающей среды.
  - л. Дефекты, вызванные низкими температурными условиями, когда монтажная организация не устанавливает предохранительные устройства для данного устройства с целью:
    - избежания переохлаждения электрических и механических компонентов, таких как клапаны,

## Технический паспорт и руководство по эксплуатации HEATER CONDENS v202301

электрические/электронные элементы управления

- избежания конденсации воды и образования инея/льда вокруг устройства
  - избежание теплового удара нагревателя и теплообменника, вызванного внезапными изменениями внешней температуры.
3. Гарантия не распространяется на детали устройств, подверженные естественному износу, расходные материалы.

### § 3. SONNIGER Polska не несет ответственности за:

1. Текущие ремонтные работы, сервисные проверки по руководству по эксплуатации и техническому обслуживанию и программированию устройств.
2. Повреждения, вызванные простоем устройств в период ожидания гарантийного обслуживания.
3. Любый ущерб имуществу Заказчика, кроме оборудования.

### § 4. Порядок рассмотрения жалоб

1. Жалобы, подпадающие под действие настоящих Гарантийных условий, направляются пользователем Продавцу.
2. Решения по этой гарантии будут предоставлены в течение 14 рабочих дней с даты уведомления. В исключительных случаях этот срок может быть продлен, в частности, когда дефект не является постоянным и для его выявления требуется более длительная диагностика или когда для гарантийного обслуживания требуется привоз деталей или узлов от субпоставщика.
3. В рамках сервисной деятельности Пользователь обязуется:
  - обеспечить полный доступ в помещения, где установлены устройства, а также необходимую инфраструктуру, обеспечивающую прямой доступ к самому устройству (подъемник, строительные леса и т. д.) для выполнения сервисных работ, на которые распространяется настоящая гарантия.
  - предъявление оригинала Гарантийного талона и счета-фактуры НДС, подтверждающего покупку устройства,
  - обеспечение безопасности труда при выполнении услуги,
  - обеспечение возможности начала работы сразу после прибытия службы, выполняющей обслуживание.
4. Чтобы сообщить о дефекте, на который распространяется настоящая гарантия, необходимо отправить на адрес Продавца следующие документы
  - а. Правильно заполненная форма жалобы доступна на сайте [sonni-ger.com/zgloszenie-serwisowe](http://sonni-ger.com/zgloszenie-serwisowe).
  - б. Копия заполненного гарантийного талона.
  - в. Копия протокола первого пуска, гарантийный осмотр
  - г. Копия счета-фактуры на покупку
5. Ремонт и замена деталей будет произведена бесплатно, если представитель авторизованного сервиса SONNIGER обнаружит, что повреждение или неисправность устройства произошло по вине устройства/изготовителя.
6. Любые расходы (ремонт, проезд, стоимость запасных частей), возникшие в результате необоснованной рекламации - если представитель Авторизованного сервиса SONNIGER установит, что ущерб возник в результате несоблюдения указаний, изложенных в технической и эксплуатационной документации, или обнаружит факты, представленные в § 3 (Исключения из гарантии) - будут покрыты покупателем, сообщившим о неисправности.
7. Лицо, подающее жалобу, обязано письменно подтвердить факт оказания услуги.
8. SONNIGER Polska имеет право отказаться от гарантийного обслуживания в случае, если SONNIGER Polska не получила полную оплату за рекламируемое устройство или более раннее обслуживание

Рекламационный бланк

Печать заказчика	<p style="text-align: right;"><b>ООО «Соннигер»</b>                  115201, Москва, ул. Котляковская д.3, стр.9                  тел./факс: (495) 620-48-43                  e-mail: russia@sonniger.com                  www.sonniger.ru</p>
------------------	--

**Данные компании сообщающей о неисправностях**

Название	
Адрес	
Телефон	
Контактное лицо	

**Данные монтажной организации**

Название	
Адрес	
Телефон	

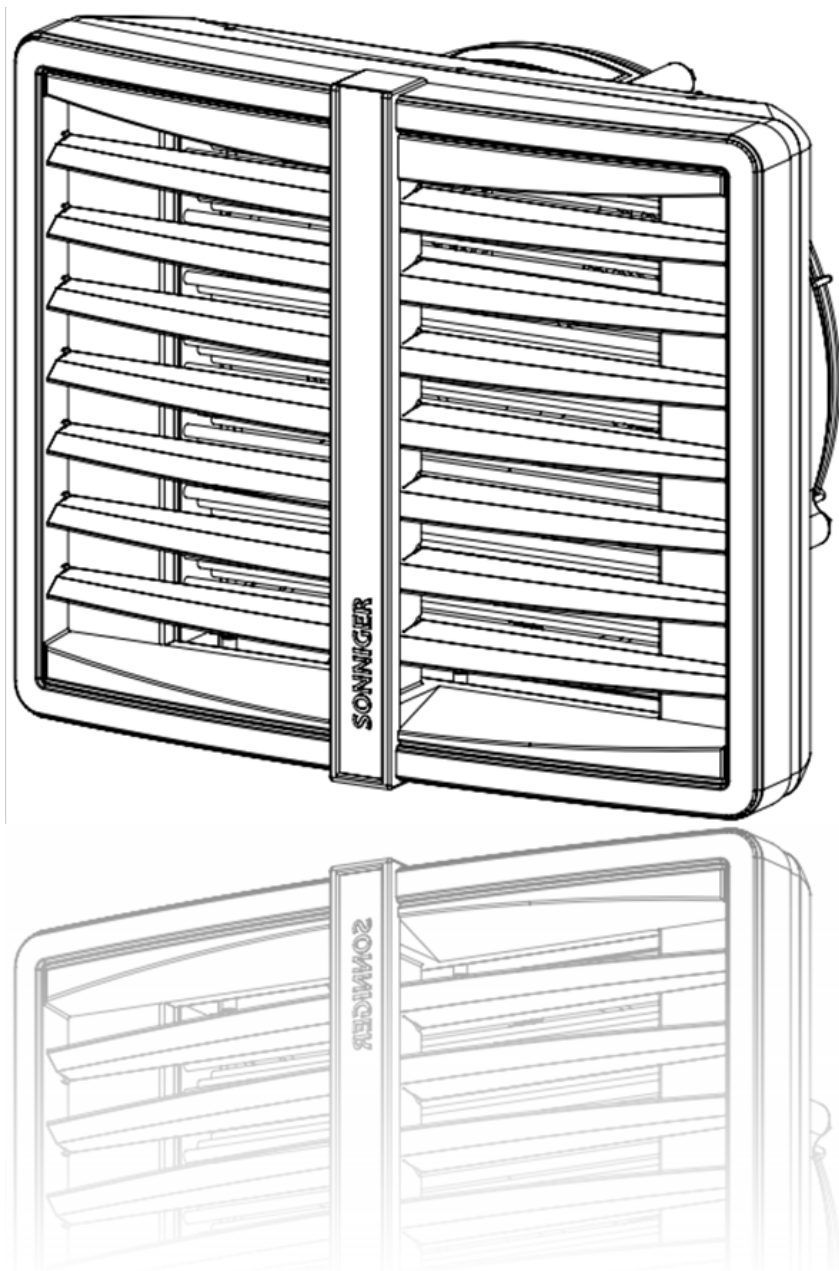
**Данные по неисправности**

Дата сообщения		Тип оборудования	
Серийный номер		Дата приобретения	
Дата монтажа		Адрес объекта	
Описание неисправности			

**ЗАПОЛНЯЕТ СОТРУДНИК ООО "СОННИГЕР"**

Номер сообщения		Номер накладной	
-----------------	--	-----------------	--

## Technická dokumentace ohřivače HEATER CONDENS



 **SONNIGER**  
HEATING PARTNERS

---

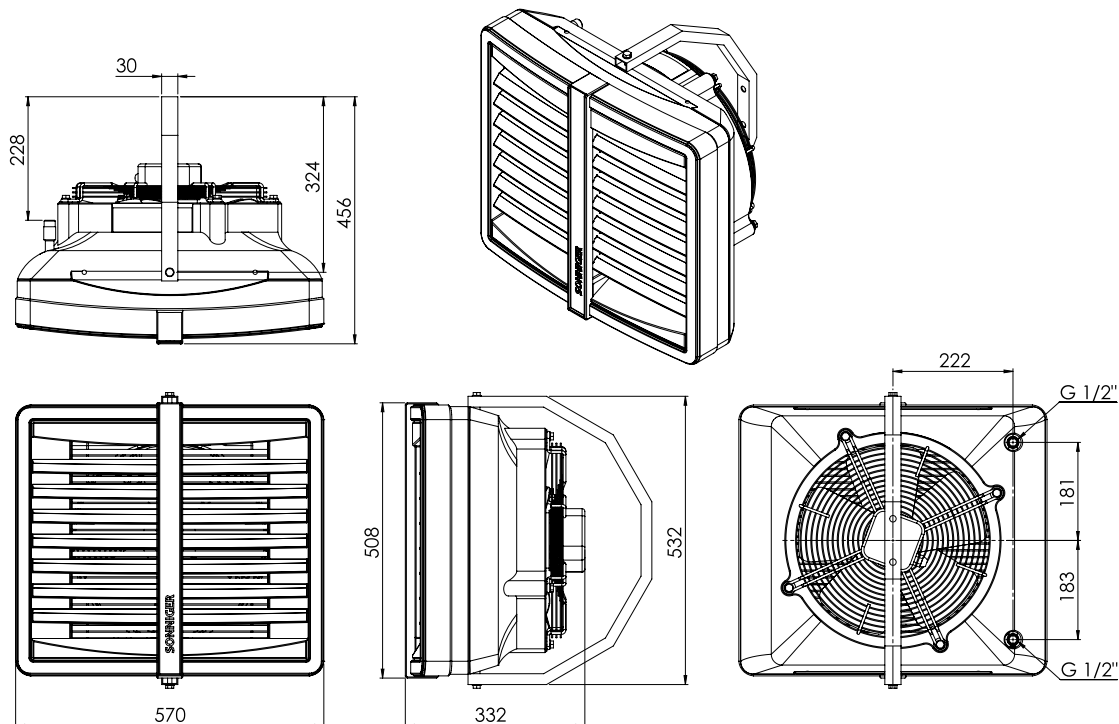
**SONNIGER S.A.**

ul. Śląska 35/37, 81-310 Gdynia, Poland, infolinia 801 055 155, tel. + 48 58 785 34 80, [www.sonniger.com](http://www.sonniger.com)  
Sąd Rejonowy Gdańsk-Północ, VIII Wydział Gospodarczy Krajowego Rejestru Sądowego, KRS 0000966611, NIP 586 227 35 14  
Regon 22154369 kapitał zakładowy: 1.655.000 PLN

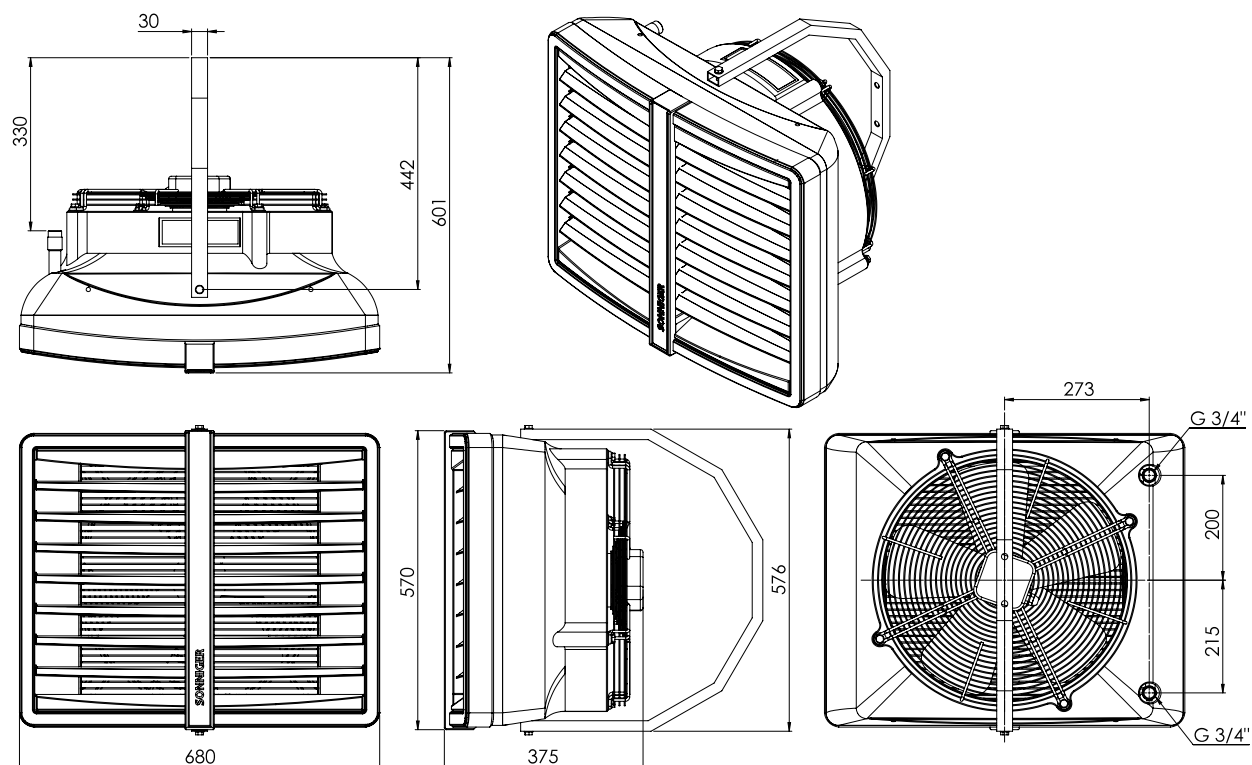
## 1. POUŽITÍ

Topná a ventilační zařízení HEATER CONDENS jsou navržena pro vytápění průmyslových objektů o malé a střední kapacitě, zejména jako jsou: výrobní a skladové haly, autosalony, dílny, sportovní a zábavní haly, sakrální budovy a kostely, obchody a sklady, zemědělské objekty, výstavní haly. HEATER CONDENS jsou ohřívače vody určené pro připojení ke zdrojům o nízké teplotě vody (např. kondenzační kotle, průmyslová tepelná čerpadla). Hlavní výhody HEATER CONDENS jsou: **vysoká výstupní teplota vzduchu** při nízké teplotě vody dodávané do jednotky, **maximální využití topné plochy výměníku** - nová (zahuštěná) geometrie konstrukce výměníku a **optimalizovaný průtok vzduchu** - vysoká výstupní teplota vzduchu je při každé rychlosti ventilátoru.

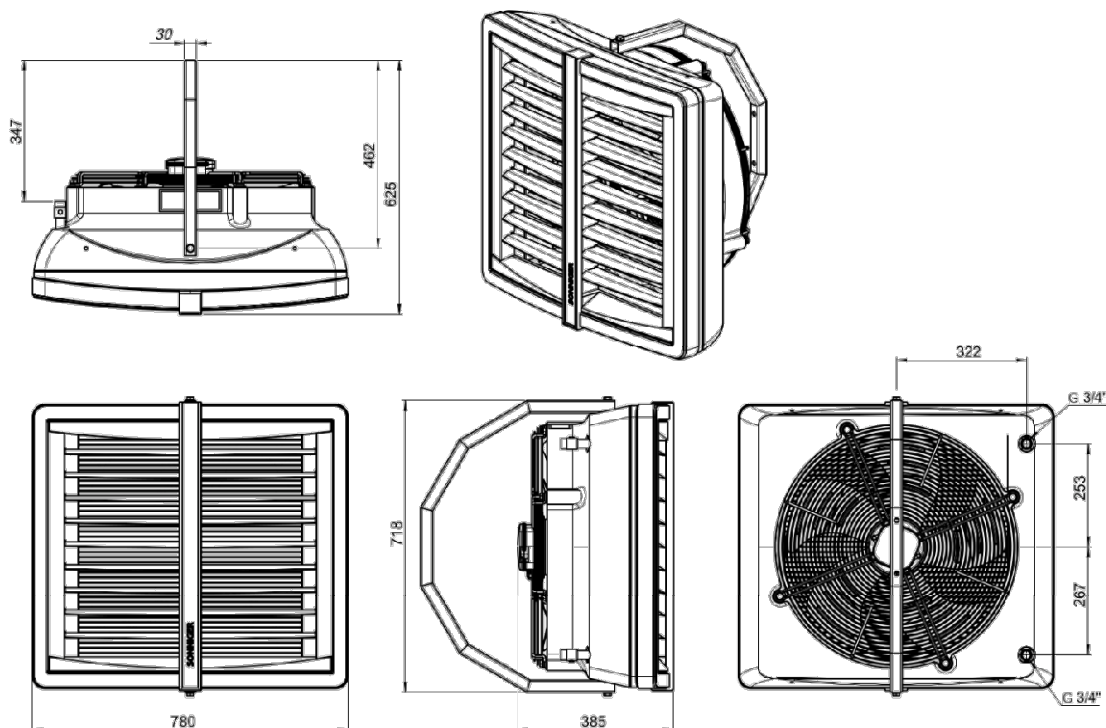
## 2. ROZMĚRY A ZÁKLADNÍ TECHNICKÉ PARAMETRY HEATER CONDENS CR ONE



## ROZMĚRY A ZÁKLADNÍ TECHNICKÉ PARAMETRY HEATER CONDENS CR1, CR2, CR3, MIX1



ROZMĚRY A ZÁKLADNÍ TECHNICKÉ PARAMETRY HEATER CONDENS CR2 MAX, CR3 MAX, CR4 MAX, MIX2



**Základní prvky ohřívače HEATER CONDENS:**

- ▮ kryt je vyroben z vysoce odolného EPP (expandovaný polypropylen)
- ▮ regulovatelné žaluzie
- ▮ 3 rychlostní axiální ventilátory o průměr 350 mm, 450mm nebo 550 mm; ventilátor je chráněn před přímým přístupem k rotujícím prvkům, díky zabudované bezpečnostní mřížce
- ▮ výměník tepla (Cu/Al) je vyroben z měděných trubek umístěných v žebrovaném hliníkovém bloku s vyvedeným měděným uzávěrem se šroubením 1/2", 3/4". Vývody jsou vybaveny uzávěry, které umožňují odvětrání a vypuštění kapaliny.

TECHNICKÉ PARAMETRY	HEATER CONDENS								DESTRATIFIKÁTOR	
	CR ONE	CR1	CR2	CR3	CR2 MAX	CR3 MAX	CR4 MAX	MIX 1	MIX 2	
Rozsah topného výkonu	kW	5-25	10-35	15-50	20-70	25-70	35-95	40-120	-	-
teplotní spád (90/70 °C) / Δt Nárůst teploty vzduchu*	kW / °C	19 kW/35°C	23 kW/18°C	39 kW/33°C	50 kW/48°C	55 kW/30°C	74 kW/49°C	94 kW /60°C	-	-
teplotní spád (70/50 °C) / Δt Nárůst teploty vzduchu*	kW / °C	13 kW/25°C	16 kW/13°C	26 kW/22°C	35 kW/34°C	40 kW/22°C	53 kW/35°C	68 kW/44°C	-	-
teplotní spád (50/30 °C) / Δt Nárůst teploty vzduchu*	kW / °C	7 kW/15°C	9 kW/8°C	13 kW/11°C	20 kW/20°C	25 kW/14°C	32 kW/21°C	42 kW/27°C	-	-
Max.průtok vzduchu	m <sup>3</sup> /h	1 600	3 900	3 350	2 950	5 700	5 600	5 100	4 800	7 200
Hlučnost I / II / III rychlost ***	dB (A)	35/46/52	44/52/62	41/50/60	39/48/60	41/50/59	40/48/58	40/48/58	36/44/54	31/42/49
Počet topných řad	-	2	1	2	3	2	3	3	-	-
Max.provozní tlak	MPa	1,6		1,6			1,6		-	-
Max.dosah vzduchu	m	14	24	21	19	26	25	23	13***	16***
Průměr připojení	palce	1/2"		3/4"			3/4"		-	-
Napájení	V/Hz	230/50 0,58A		230/50 1,08A			230/50 2,2A		230/50 1,08A	230/50 2,2A
Výkon motoru	W	124		250			520		250	520
Otáčky motoru	obr/min	1400		1350			1380		1350	1380
Stupeň krytí IP	-	IP 54		IP 54			IP 54		IP 54	
Hmotnost bez vody/s vodou	kg	9,6/10,7	10,8/11,9	12,7/14,8	14,5/16,9	23,6/25,2	25,2/27,4	25,5/28	9,2	15,8

\* prezentovaný topný výkon pro teplotní spády 50/30°C – 120/90°C, vstupní teplota vzduchu 0°C, III rychlost.

\*\* pro vstupní teplotu vzduchu 0°C

\*\*\* maximální výška instalace pro vertikální proudění vzduchu, max. pracovní plocha 380 m<sup>2</sup> pro HEATER MIX 1 a 450 m<sup>2</sup> pro HEATER MIX 2

\*\*\*\* měřeno ve vzdálenosti 5m

\*\*\*\*\* Horizontální dosah izotermického proudu vzduchu při rychlosti 0,5m/s



### 3. VŠEOBECNÉ INFORMACE

Teplovodní ohřívače HEATER jsou vyráběny v souladu s normami a předpisy týkající se kvality, ekologie, užitečnosti a komfortu provozu. Přístroje HEATER jsou dodávány ve smontovaném stavu, v kartonovém obalu, který je chrání před mechanickým poškozením. Balení obsahuje: přístroj, příručku (TD) spolu se záručním listem. Objednaná volitelná automatika je dodávána v samostatném balení. Bezprostředně po dodávce je zapotřebí zkontrolovat obsah balení a v případě jakéhokoliv nedostatku vyplnit příslušný protokol dopravce.

#### UPOZORNĚNÍ

- ❶ Před zahájením montáže se prosím důkladně seznámte s návodem k obsluze a dodržujte všechny bezpečnostní předpisy související s instalací zařízení. Jejich nedodržení by mohlo zavinovat špatný výkon zařízení a ztrátu záruky.
- ❶ Při manipulaci s elektrickými komponenty zařízení dodržujte bezpečnostní předpisy.
- ❶ Veškeré instalační práce musí provádět pracovník s odpovídající kvalifikací a oprávněním.

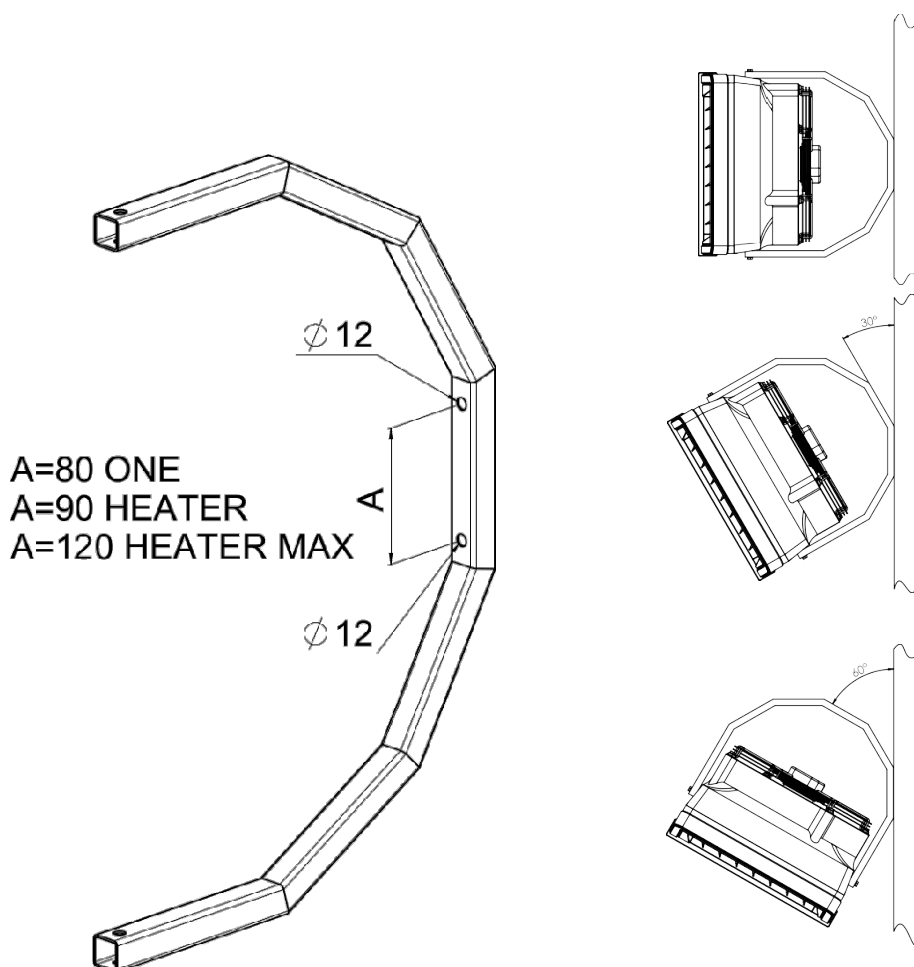
### 4. MONTÁŽ

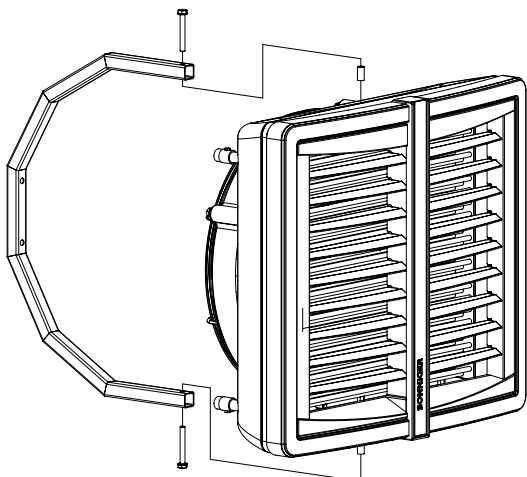
Při umístění přístroje je třeba brát v úvahu: jednoduchý přístup pro údržbu, přístup k elektrickým a vodním instalacím, správné proudění vzduchu v místnosti.

Každá jednotka HEATER je vybavená sadou 2 vyměnitelných barevných vložek. Změnu barvy je možné provést odstraněním vložky z předního panelu přístroje a vložením nové vložky s vybranou barvou.

Doporučená montáž zařízení je v poloze na stěně nebo pod stropem na montážní konzole. Další možnost je s použitím šroubovice (ve vlastní reži) nebo na nosné konstrukci - tvary a rozměry nosných konstrukcí můžete volně navrhnout při dodržení požadavků na pevnost. V případě montáže pod stropem - věnujte pozornost tomu, že odvětrání přístroje může být obtížnější – doporučuje se umístění odvětrání v nejvyšším bodě potrubí.

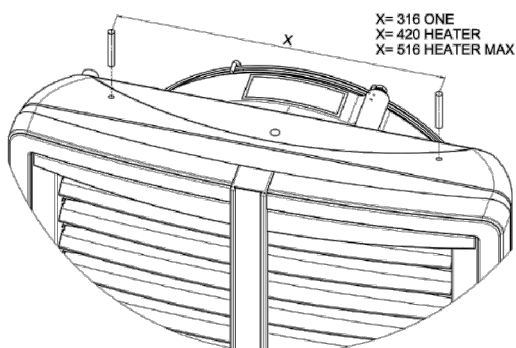
Jednotku je možné instalovat na zeď pomocí konzoly pod úhlem 0°, 30° nebo 60°. Držák montážní konzoly je vyroben z ohýbaného profilu. Má dva otvory pro upevnění jednotky na zeď v horizontální pozici. Montáž na stěnu/nebo na strop/je možná i pod jiným úhlem, ale je nutné vyvrtat otvor do konzoly.





#### Montáž konzoly

Montážní konzola zahrnuje: konzola, 2x pouzdro(vyomezující objímka), 2x šroub M8, 2x podložky. K instalaci konzoly se musí vyvrtat dva otvory o průměru 12-13mm v zadní části krytu(opláštění EPP), jak je znázorněno na obrázku-**nevrtat hlouběji než 20mm, aby jste nepoškodily výměník**. Na krytu jsou naznačená místa pro otvory. Do připravených otvorů se vloží vymezení objímky a následně se nasadí konzola. Konzola se přišroubuje pomocí šroubů M8 s podložkami, které jsou součástí dodávky.

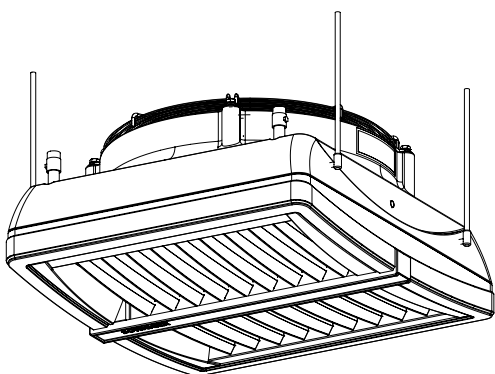


#### Montáž kolíků

Je také možnost připevnění ohřívače ke stropu pomocí montážních kolíků M8. Je nutné vyvrtat 2 otvory o průměru 8-9mm(do opláštění EPP). Vložte šroubovice do vyznačených míst na krytu. Je možné je zašroubovat do max.hloubky **20mm**

### POZOR !

- ⓘ Při vrtání otvorů na označených místech dávejte pozor, abyste nepoškodili výměník, **nevrtat hlouběji než 20mm!**



#### Montáž destratifikátoru HEATER MIX

K montáži destratifikátoru HEATER MIX pod strop použijeme montážní kolíky M8. Vyvrtejte dva otvory o průměru 8-9mm. Místa pro kolíky jsou viditelně označená na opláštění jednotky. Kolíky mohou být maximálně zašroubované **20mm** do rámu výměníku. Montážní kolíky a spojovací prvky nejsou součástí zařízení

### UPOZORNĚNÍ !

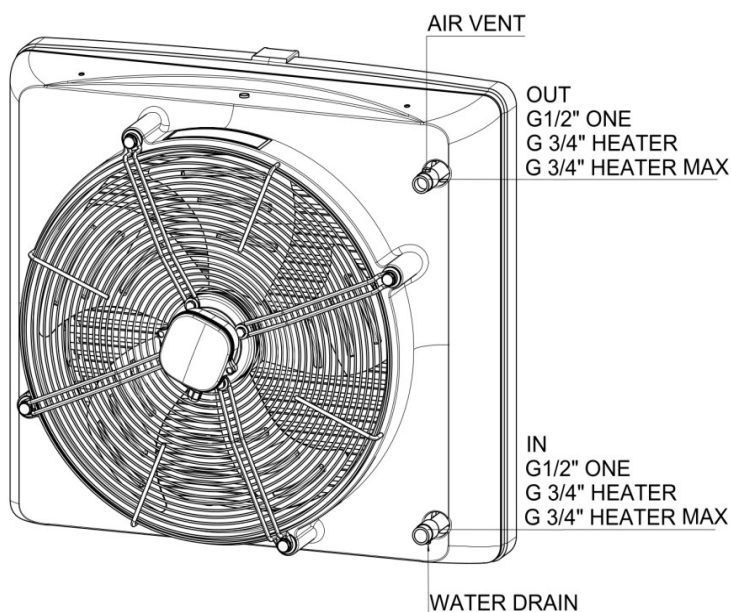
- ⓘ Kolem přístroje je nutné zachovat odpovídající prostor tzn. : z boku přístroje 200 mm , za zadní částí -za ventilátorem 300 mm.

## 5. ELEKTROINSTALACE

Provedení elektroinstalace a připojení přístroje do sítě musí být v souladu s platnými právními předpisy a stavebními normami. Motor ventilátoru má standardní vnitřní tepelnou ochranu, která chrání motor před přehřátím. Součástí dodávky není: síťový kabel a hlavní vypínač (viz schéma). Elektrická instalace by měla být provedena osobou s příslušným oprávněním a také obeznámena s výše uvedenými pokyny výrobce. Připojení síťového kabelu a hlavního vypínače se musí provádět v souladu se schématem elektrického zapojení (s nebo bez automatizace v závislosti na volbě zařízení). Na škody způsobené z výše uvedených příčin se nevztahuje záruka a náklady spojené s výměnou ohřívače nese uživatel. Připojení automatizace se musí provést dle daného schématu elektrického zapojení. V případě jakýchkoliv nejasností nebo problému, odpojte přístroj od sítě a obraťte se na instalátora zařízení nebo přímo do autorizovaného servisu SONNIGER.

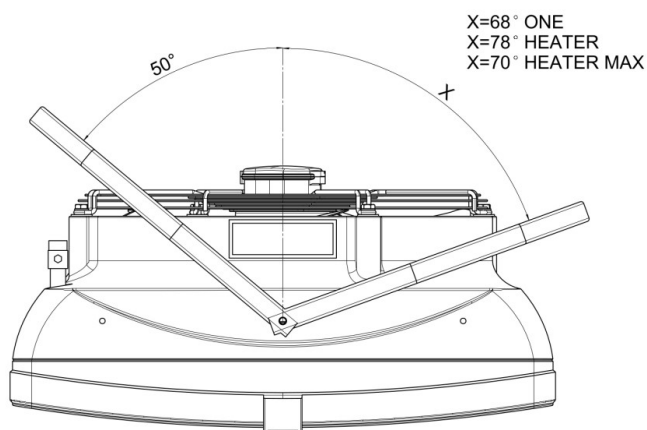
## 6. VODOINSTALACE

Zapojení ohřívače musí být zrealizované tak, aby se k němu servisní údržba bez problému dostala. Na obou šroubeních zařízení musí být nainstalovány ruční uzavírací ventily, umožňující odpojení přístroje. Napájecí potrubí ohřívače musí být připojeno podle označení na krytu přístroje (vstup/výstup). V případě elektromagnetického ventilu (volitelná automatika) napájecí potrubí bude připojeno na výstupu vody ze zařízení, jinak může dojít k poškození ohřívače.



### Připojení topného media

Šroubení je v zadní části zařízení. Při utahování šroubení u výměníku je zapotřebí chránit připojení ohřívače při utahovacím momentu. Není dovoleno dotahovat šroubení např. na klíč nastrčenou trubkou. Vypuštění topného systému je možné na šroubení na vstupu, odvodu na šroubení na výstupu – dle obrázku



Ohřívač je možné v horizontální poloze v montážní konzole natáčet. Za tím účelem je nutné použít flexibilní hydraulické hadice. Ohřívač lze otočit v konzole v obou směrech max. o 70° - pro HEATER CONDENS MAX, 78° - pro HEATER CONDENS CR1,CR2,CR3, 68° - pro HEATER CONDENS ONE. Obrázek ukazuje max.úhel na jednu stranu a další možnost při úhlu 50°, s minimální vzdáleností zbývající pro připojení.

## 7. AUTOMATICKÉ OVLÁDÁNÍ – INSTALACE

Do přístroje lze použít automatizační sada (síťové napájení 230V), která obsahuje:

- ☛ panel COMFORT –přepínač 3 rychlostního ventilátoru na ohřívači a zároveň prostorový termostat. Jeden panel COMFORT může regulovat až 6 ks jednotek HEATER CONDENS CR ONE, 3 ks jednotek HEATER CONDENS CR1,2,3 nebo 2 ks HEATER CONDENS MAX
- ☛ dvoucestný ventil se servopohonem - montuje se na výstupu z ohřívače
- ☛ panel INTELLIGENT – elektronický ovládací panel ovládající automaticky regulaci otáček, možnost komunikace se systémem BMS. Jeden panel INTELLIGENT může regulovat až 2 ks HEATER CONDENS nebo 1ks HEATER CONDENS MAX.
- ☛ rozbočovač Splitter MULTI 6 – ovládá až 6 jednotek HEATER CONDENS, CONDENS MAX nebo 12 jednotek HEATER CONDENS ONE z jednoho panelu COMFORT nebo panelu INTELLIGENT

Po provedení připojení mezi termostatem a servopohonem ventilu, připojení napětí 230V k termostatu a připojení motoru ventilátoru přes regulátor otáček je systém připravený k provozu.



### Panel COMFORT NEW popis funkcí

**OFF-I-II-III** – přepínač a regulace otáček ventilátoru

**HEAT** - termostat dává provozní signál servopohonu a ventilátoru, ventilátor se vypne při dosažení nastavené teploty, ventil uzavře přívod vody

**FAN** - chod ventilátoru zařízení dle termostatu, ventily nepracují

**COOL** - termostat vydá provozní signál servopohonu a ventilátoru, zařízení se spustí nad nastavenou teplotou

## 8. PRVNÍ UVEDENÍ DO PROVOZU / ZAPNUTÍ PŘÍSTROJE

Po provedení všech připojení (elektrických, vodních a automatiky) a kontrole těsnosti všech přípojek a odvodu ohřívače provedených instalátérem, je možné přistoupit k spuštění zařízení podle následující sekvence činností:

- 8.1. zapnout hlavní vypínač,
- 8.2. nastavit požadovanou rychlost otáček ventilátoru na regulátoru otáček,
- 8.3. nastavit požadovanou teplotu na termostatu.

Aktivní stav je indikován rozsvíceným světlem na regulátoru. Ventilátor běží nepřetržitě bez ohledu na stavu otevření ventilu ohřívače

## 9. VYPNUTÍ PŘÍSTROJE

V případě vypnutí ohřívače je nutno postupovat následovně:

- 9.1. ovladačem na termostatu nastavit teplotu na min., přibližně po 7 sekundách se úplně uzavře ventil a vypne se ohřívač
- 9.2. hlavní vypínač nastavit do polohy 0 (vypnuto/OFF), ventilátor se vypne a s ním napájení termostatu

## 10. PROVOZ ZAŘÍZENÍ

Motor a ventilátor používaný v jednotkách HEATER CONDENS je bezúdržbová zařízení, ale doporučujeme pravidelné kontroly, zejména motoru a ložiska (rotor ventilátoru by se měl volně otáčet, bez jakýchkoli axiálních a radiálních rázů a nežádoucích klepání).

### DŮLEŽITÉ!

- ❗ Jestli by se v průběhu chodu zařízení začaly ozývat kovové zvuky, zvýšily se vibrace a začala by narůstat hlasitost práce zařízení, je zapotřebí zkontrolovat, zda přichycení ventilátoru se neuvolnilo – v případě potíží se obraťte na instalátora zařízení nebo na autorizační servis SONNIGER

## 11. ÚDRŽBA

Tepelný výměník ohřívače vyžaduje pravidelné čištění od veškerých nečistot. Před zahájením topné sezóny se doporučuje vyčistit výměník tepla stlačeným vzduchem namířeným na výstupní otvory; není zapotřebí demontáž zařízení. Jelikož existuje možnost poškození lamel na výměníku tepla, zachovejte zvýšenou opatrnost při čištění. Pokud lamely jsou ohnuté, narovnávejte je nářadím určeným pro tento účel. Pokud není zařízení používáno delší dobu, odpojte jej od proudu před dalším použitím.

Výměník tepla nemá žádné zabezpečení proti požáru. Může dojít k poškození výměníku tepla, pokud teplota v provozní místnosti spadne pod 0 stupňů.

Při provozu zařízení v místnosti, kde teplota klesá pod 0 ° C, je nutno přidat do vodního oběhu nemrznoucí směs. Nemrznoucí směs musí být přizpůsobena k materiálu, z kterého je výměník tepla vyroben (měď) a s ohledem na další součásti hydraulického oběhu. Kapalina musí být rozředěna ve správném poměru stanoveném výrobcem dané kapaliny.

12. TECHNICKÉ PARAMETRY OHŘÍVAČE HEATER CONDENS

HEATER CONDENS CR ONE																															
Parametry topné jednotky		50/30					60/40					70/50					80/60					90/70					120/90				
Vstupní teplota vzduchu		0	5	10	15	20	0	5	10	15	20	0	5	10	15	20	0	5	10	15	20	0	5	10	15	20	0	5	10	15	20
<b>průtok vzduchu 1600 m3/h (rychlost 3)</b>																															
Topný výkon	kW	6,7	5,6	4,6	3,4	1,8	9,7	8,6	7,5	6,3	5,2	12,5	11,4	10,2	9,1	7,9	15,6	14,4	13,2	12,0	10,8	18,7	17,5	16,2	15,0	13,8	25,7	24,4	23,1	21,8	20,5
Výstupní teplota vzduchu	°C	14,4	16,7	19,0	21,1	22,2	19,8	22,2	24,7	27,1	29,4	24,9	27,4	29,9	32,3	34,8	29,9	32,4	35,0	37,5	40,0	35,0	37,5	40,1	42,6	45,2	46,4	49,0	51,6	54,1	56,6
Průtok vody	m3/h	0,4	0,3	0,3	0,2	0,1	0,5	0,4	0,4	0,3	0,3	0,6	0,6	0,5	0,4	0,4	0,7	0,7	0,6	0,6	0,5	0,9	0,8	0,7	0,7	0,6	0,8	0,7	0,7	0,6	0,6
Tlaková ztráta	kPa	5,0	3,6	2,5	1,5	0,5	8,0	6,5	5,0	3,7	2,6	11,5	9,7	8,0	6,5	5,1	15,4	13,3	11,4	9,6	8,0	19,6	17,4	15,2	13,2	11,3	14,7	13,4	12,2	11,0	9,8
<b>průtok vzduchu 1200 m3/h (rychlost 2)</b>																															
Topný výkon	kW	5,6	4,7	3,8	2,8	1,6	8,1	7,1	6,2	5,3	4,3	10,4	9,4	8,5	7,5	6,6	12,9	11,9	11,0	10,0	9,0	15,5	14,5	13,5	12,5	11,5	21,3	20,2	19,2	18,1	17,1
Výstupní teplota vzduchu	°C	16,0	18,1	20,0	21,8	23,1	21,9	24,1	26,3	28,5	30,6	27,6	29,8	32,1	34,3	36,5	33,1	35,5	37,7	40,0	42,3	38,7	41,1	43,3	45,7	47,9	51,4	53,8	56,0	58,3	60,6
Průtok vody	m3/h	0,3	0,3	0,2	0,2	0,1	0,4	0,4	0,3	0,3	0,2	0,5	0,5	0,4	0,3	0,2	0,6	0,6	0,5	0,5	0,4	0,7	0,7	0,6	0,6	0,5	0,6	0,6	0,6	0,5	0,5
Tlaková ztráta	kPa	3,6	2,6	1,8	1,0	0,4	5,8	4,6	3,6	2,7	1,9	8,3	7,0	5,8	4,6	3,6	11,0	9,5	8,2	6,9	5,7	14,0	12,4	10,9	9,5	8,1	10,5	9,6	8,7	7,8	7,1
<b>průtok vzduchu 750 m3/h (rychlost 1)</b>																															
Topný výkon	kW	4,0	3,4	2,7	1,8	1,3	5,9	5,2	4,5	3,8	3,1	7,6	6,9	6,2	5,5	4,8	9,4	8,7	8,0	7,3	6,6	11,3	10,5	9,8	9,1	8,3	14,8	14,7	14,0	13,2	12,4
Výstupní teplota vzduchu	°C	18,6	20,1	21,6	22,1	24,6	25,5	27,4	29,2	30,9	32,5	32,1	33,9	35,9	37,7	39,4	38,6	40,4	42,4	44,2	46,0	45,0	47,0	48,8	50,8	52,6	59,8	61,8	63,7	65,5	67,4
Průtok vody	m3/h	0,2	0,2	0,1	0,1	0,1	0,3	0,3	0,2	0,2	0,2	0,4	0,3	0,3	0,3	0,2	0,4	0,4	0,3	0,3	0,2	0,4	0,4	0,3	0,3	0,5	0,5	0,5	0,4	0,4	0,4
Tlaková ztráta	kPa	2,0	1,5	1,0	0,5	0,3	3,3	2,6	2,1	1,5	1,1	4,7	3,9	3,3	2,6	2,1	6,2	5,4	4,6	3,9	3,3	7,9	7,0	6,1	5,3	4,6	5,9	5,4	4,9	4,4	4,0

HEATER CONDENS CR1																															
Parametry topné jednotky		50/30					60/40					70/50					80/60					90/70					120/90				
Vstupní teplota vzduchu		0	5	10	15	20	0	5	10	15	20	0	5	10	15	20	0	5	10	15	20	0	5	10	15	20	0	5	10	15	20
<b>průtok vzduchu 3900 m3/h (rychlost 3)</b>																															
Topný výkon	kW	8,7	7,1	5,4	3,6	1,7	12,4	10,8	9,3	7,7	6,1	16,0	14,4	12,9	11,3	9,7	21,1	19,4	17,6	15,9	14,2	23,0	21,4	19,7	17,9	16,1	37,9	35,9	33,9	31,9	29,9
Výstupní teplota vzduchu	°C	7,3	10,5	14,2	17,8	21,3	10,2	14,4	18,5	22,7	26,9	12,8	16,9	21,2	25,3	29,4	17,2	21,7	26,3	30,8	35,5	18,0	25,8	30,7	35,5	40,3	30,7	36,0	41,3	46,6	51,9
Průtok vody	m3/h	0,4	0,3	0,2	0,2	0,1	0,5	0,5	0,4	0,3	0,3	0,7	0,6	0,6	0,5	0,4	0,8	0,8	0,7	0,6	0,6	0,8	0,8	0,7	0,7	0,6	0,9	0,8	0,8	0,7	0,7
Tlaková ztráta	kPa	2,8	1,9	1,2	0,6	0,2	4,8	3,8	2,9	2,1	1,4	7,1	5,9	4,8	3,8	2,9	9,7	8,4	7,1	5,9	4,8	9,7	8,7	7,7	6,8	5,9	9,4	8,5	7,7	6,9	6,1
<b>průtok vzduchu 2500 m3/h (rychlost 2)</b>																															
Topný výkon	kW	6,7	5,5	4,2	2,1	1,5	9,7	8,5	7,2	6,0	4,7	12,5	11,3	10,0	8,8	7,6	16,4	15,1	13,8	12,4	11,1	21,0	19,5	18,1	16,6	15,2	29,6	28,0	26,5	24,9	23,4
Výstupní teplota vzduchu	°C	8,8	11,6	15,0	17,6	21,8	12,4	16,3	20,2	24,1	28,0	15,6	19,5	23,3	27,2	31,1	20,9	25,2	29,4	33,7	38,0	25,6	30,1	34,6	39,0	43,6	37,4	42,3	47,3	52,2	57,3
Průtok vody	m3/h	0,3	0,2	0,2	0,1	0,1	0,4	0,4	0,3	0,3	0,2	0,5	0,5	0,4	0,4	0,3	0,7	0,6	0,5	0,5	0,4	0,8	0,7	0,7	0,6	0,6	0,7	0,6	0,6	0,5	0,5
Tlaková ztráta	kPa	1,8	1,2	0,8	0,2	0,1	3,1	2,4	1,9	1,3	0,9	4,6	3,8	3,1	2,5	1,9	6,3	5,4	4,6	3,8	3,1	8,0	7,1	6,2	5,3	4,5	6,0	5,5	4,9	4,4	4,0
<b>průtok vzduchu 1850 m3/h (rychlost 1)</b>																															
Topný výkon	kW	5,6	4,5	3,4	2,0	1,4	8,1	7,1	6,1	5,0	3,9	10,5	9,5	8,4	7,4	6,4	13,8	12,7	11,6	10,4	9,3	17,6	16,4	15,2	14,0	12,8	24,8	23,5	22,2	20,9	19,6
Výstupní teplota vzduchu	°C	9,9	12,4	15,5	18,2	22,3	14,0	17,8	21,5	25,1	28,6	17,7	21,4	25,1	28,7	32,3	23,6	27,7	31,8	35,8	39,8	29,0	33,2	37,5	41,8	45,9	42,3	47,0	51,8	56,4	61,2
Průtok vody	m3/h	0,3	0,2	0,2	0,1	0,1	0,4	0,3	0,3	0,2	0,2	0,5	0,4	0,4	0,3	0,3	0,5	0,5	0,5	0,4	0,4	0,6	0,6	0,6	0,5	0,5	0,6	0,5	0,5	0,5	0,4
Tlaková ztráta	kPa	1,3	0,9	0,5	0,2	0,1	2,3	1,8	1,4	1,0	0,6	3,4	2,8	2,3	1,8	1,4	4,6	3,9	3,3	2,8	2,3	5,9	5,2	4,5	3,9	3,3	4,4	4,0	3,6	3,2	2,9

HEATER CONDENS CR2																															
Parametry topné jednotky		50/30					60/40					70/50					80/60					90/70					120/90				
Vstupní teplota vzduchu		0	5	10	15	20	0	5	10	15	20	0	5	10	15	20	0	5	10	15	20	0	5	10	15	20	0	5	10	15	20
<b>průtok vzduchu 3350 m3/h (rychlost 3)</b>																															
Topný výkon	kW	12,5	10,5	8,4	6,1	2,8	19,6	17,3	15,0	12,6	10,2	26,2	23,7	21,3	18,8	16,3	32,5	30,0	27,5	24,9	22,4	39,3	36,7	34,0	31,4	28,8	53,4	50,7	48,0	45,3	42,6
Výstupní teplota vzduchu	°C	10,7	14,3	16,9	19,5	21,9	16,6	19,0	21,2	23,5	25,8	22,1	24,6	27,1	29,5	32,0	27,2	29,7	32,2	34,8	37,3	32,4	35,0	37,6	40,2	42,7	45,0	47,6	50,4	53,1	55,9
Průtok vody	m3/h	0,7	0,6	0,5	0,3	0,2	1,0	0,8	0,7	0,6	0,5	1,2	1,1	1,0	0,9	0,8	1,5	1,3	1,2	1,1	1,0	1,7	1,6	1,5	1,4	1,2	1,5	1,4	1,3	1,2	1,1
Tlaková ztráta	kPa	4,4	3,2	2,1	1,2	0,3	7,2	5,8	4,4	3,3	2,2	10,5	8,8	7,2	5,8	4,5	14,1	12,2	10,4	8,8	7,2	18,2	16,0	14,0	12,1	10,4	13,6	12,4	11,2	10,1	9,0
<b>průtok vzduchu 2000 m3/h (rychlost 2)</b>																															
Topný výkon	kW	9,1	7,6	6,0	4,2	2,4	14,2	12,6	10,9	9,2	7,4	19,0	17,2	15,5	13,7	11,9	42,5	21,7	19,9	18,1	16,3	28,4	26,5	24,6	22,7	20,9	38,6	36,7	34,8	32,8	30,9
Výstupní teplota vzduchu	°C	12,9	19,4	21,4	23,0	24,5	20,2	22,1	23,9	25,8	27,7	26,9	28,9	30,9	33,0	35,0	32,9	35,0	37,1	39,2	41,3	39,2	41,4	43,5	45,6	47,8	54,5	56,7	59,0	61,2	63,4
Průtok vody	m3/h	0,5	0,4	0,3	0,2	0,1	0,7	0,6	0,5	0,4	0,4	0,9	0,8	0,7	0,6	0,5	1,1	1,0	0,9	0,8	0,7	1,2	1,1	1,1	1,0	0,9	1,1	1,0	1,0	0,9	0,9
Tlaková ztráta	kPa	2,5	1,8	1,2	0,6	0,2	4,1	3,3	2,5	1,9	1,3	5,9	4,9	4,1	3,3	2,6	7,9	6,8	5,8	4,9	4,1	10,1	8,9	7,8	6,8	5,8	7,6	6,9	6,3	5,7	5,1
<b>průtok vzduchu 1450 m3/h (rychlost 1)</b>																															
Topný výkon	kW	7,3	6,1	4,8	2,9	2,1	11,5	10,2	8,8	7,4	6,0	15,3	13,9	12,5	11,1	9,6	19,0	17,5	16,1	14,6	13,2	22,9	21,4	19,9	18,4	16,9	31,2	29,6	28,1	26,5	25,0
Výstupní teplota vzduchu	°C	14,4	21,0	22,5	22,6	25,5	22,5	24,1	25,8	27,3	28,8	29,9	31,7	33,5	35,2	37,0	36,6	38,4	40,2	42,1	43,9	43,5	45,4	47,3	49,2	51,1	60,6	62,5	64,6	66,5	68,4
Průtok vody	m3/h	0,4	0,3	0,3	0,2	0,1	0,6	0,5	0,4	0,4	0,3	0,7	0,6	0,6	0,5	0,4	0,8	0,8	0,7	0,7	0,6	1,0	0,9	0,9	0,8	0,7	0,9	0,8	0,8	0,7	0,7
Tlaková ztráta	kPa	1,7	1,2	0,8	0,3	0,2	2,8	2,2	1,7	1,3	0,9	4,0	3,4	2,8	2,2	1,8	5,4	4,7	4,0	3,4	2,8	6,9	6,1	5,3	4,6	4,0	5,2	4,7	4,3	3,9	3,5

HEATER CONDENS CR3																															
Parametry topné jednotky		50/30					60/40					70/50					80/60					90/70					120/90				
Vstupní teplota vzduchu		0	5	10	15	20	0	5	10	15	20	0	5	10	15	20	0	5	10	15	20	0	5	10	15	20	0	5	10	15	20
<b>průtok vzduchu 2950 m3/h (rychlost 3)</b>																															
Topný výkon	kW	20,0	17,0	14,0	10,8	7,2	27,9	24,8	21,7	18,6	15,3	35,3	32,1	29,0	2																

Technická dokumentace ohřivače HEATER CONDENS v 202301

HEATER CONDENS CR2 MAX

Parametry topné jednotky		50/30					60/40					70/50					80/60					90/70					120/90				
Vstupní teplota vzduchu		0	5	10	15	20	0	5	10	15	20	0	5	10	15	20	0	5	10	15	20	0	5	10	15	20	0	5	10	15	20
<b>průtok vzduchu 5700 m<sup>3</sup>/h (rychlost 3)</b>																															
Topný výkon	kW	24,5	20,5	16,5	12,3	7,5	32,2	28,3	24,5	20,6	16,7	39,7	35,9	32,0	28,3	24,5	47,5	43,6	39,8	36,0	32,2	55,0	51,1	47,2	43,4	39,6	72,4	68,5	64,5	60,6	56,8
Výstupní teplota vzduchu	°C	13,7	16,8	19,8	22,7	25,0	18,0	21,1	24,2	27,3	30,2	22,3	25,5	28,6	31,7	34,8	26,0	29,2	32,3	35,4	38,4	30,1	33,3	36,4	39,5	42,6	39,3	42,6	45,9	49,1	52,2
Průtok vody	m <sup>3</sup> /h	0,8	0,6	0,5	0,4	0,2	1,0	0,9	0,8	0,7	0,5	1,3	1,2	1,0	0,9	0,8	1,5	1,4	1,3	1,2	1,0	1,8	1,7	1,5	1,4	1,3	1,6	1,5	1,4	1,3	1,3
Tlaková ztráta	kPa	3,5	2,5	1,7	0,9	0,3	5,8	4,6	3,5	2,6	1,8	8,4	7,0	5,7	4,5	3,5	11,3	9,7	8,2	6,8	5,6	14,5	12,7	11,0	9,4	8,0	10,9	9,8	8,8	7,9	7,0
<b>průtok vzduchu 3900 m<sup>3</sup>/h (rychlost 1)</b>																															
Topný výkon	kW	19,6	16,4	13,1	9,7	4,4	25,7	22,6	19,5	16,5	13,4	31,7	28,6	25,6	22,6	19,6	37,8	34,7	31,7	28,7	25,7	43,7	40,6	37,6	34,5	31,5	57,4	54,3	51,1	48,0	45,0
Výstupní teplota vzduchu	°C	15,9	18,6	21,3	23,7	24,4	20,9	23,7	26,6	29,2	31,8	25,9	28,8	31,6	34,5	37,2	30,2	33,1	36,0	38,7	41,5	34,9	37,8	40,7	43,5	46,3	45,8	48,8	51,9	54,8	57,7
Průtok vody	m <sup>3</sup> /h	0,9	0,8	0,6	0,5	0,2	1,3	1,1	1,0	0,8	0,7	1,6	1,4	1,3	1,1	1,0	1,9	1,8	1,6	1,4	1,3	2,2	2,1	1,9	1,8	1,6	2,0	1,9	1,8	1,7	1,5
Tlaková ztráta	kPa	5,1	3,7	2,5	1,4	0,4	8,5	6,7	5,2	3,8	2,6	12,3	10,2	8,3	6,7	5,1	16,6	14,2	12,0	10,0	8,2	21,4	18,7	16,2	13,9	11,8	16,1	14,5	13,0	11,6	10,3
<b>průtok vzduchu 2800 m<sup>3</sup>/h (rychlost 1)</b>																															
Topný výkon	kW	15,9	13,3	10,6	7,7	4,0	20,9	18,4	15,9	13,4	10,8	25,6	23,2	20,7	18,3	15,9	30,6	28,1	25,6	23,2	20,8	35,3	32,8	30,4	27,9	25,5	46,5	43,9	41,3	38,9	36,4
Výstupní teplota vzduchu	°C	18,0	20,4	22,7	24,5	25,4	23,6	26,2	28,7	31,0	33,3	29,2	31,9	34,5	37,0	39,4	34,0	36,8	39,3	41,8	44,2	39,3	42,0	44,6	47,1	49,7	51,5	54,5	57,2	59,9	62,5
Průtok vody	m <sup>3</sup> /h	0,8	0,6	0,5	0,4	0,2	1,0	0,9	0,8	0,7	0,5	1,3	1,2	1,0	0,9	0,8	1,5	1,4	1,3	1,2	1,0	1,8	1,7	1,5	1,4	1,3	1,6	1,5	1,4	1,3	1,3
Tlaková ztráta	kPa	3,5	2,5	1,7	0,9	0,3	5,8	4,6	3,5	2,6	1,8	8,4	7,0	5,7	4,5	3,5	11,3	9,7	8,2	6,8	5,6	14,5	12,7	11,0	9,4	8,0	10,9	9,8	8,8	7,9	7,0

HEATER CONDENS CR3 MAX

Parametry topné jednotky		50/30					60/40					70/50					80/60					90/70					120/90				
Vstupní teplota vzduchu		0	5	10	15	20	0	5	10	15	20	0	5	10	15	20	0	5	10	15	20	0	5	10	15	20	0	5	10	15	20
<b>průtok vzduchu 5600 m<sup>3</sup>/h (rychlost 3)</b>																															
Topný výkon	kW	31,9	27,0	22,2	17,2	11,8	41,6	36,8	32,0	27,3	22,5	53,0	48,0	43,1	38,2	33,3	61,9	57,0	52,1	47,3	42,5	74,2	69,0	63,9	58,9	53,9	96,6	91,4	86,3	81,2	76,2
Výstupní teplota vzduchu	°C	20,9	24,8	28,4	31,9	35,1	27,3	31,4	35,5	39,3	43,2	35,0	39,3	43,3	47,4	51,3	41,0	45,5	49,9	54,1	58,2	49,1	53,5	57,9	62,2	66,4	63,2	68,1	72,6	77,2	81,8
Průtok vody	m <sup>3</sup> /h	1,4	1,2	0,9	0,7	0,5	1,7	1,5	1,3	1,1	0,9	2,2	2,0	1,8	1,6	1,4	2,6	2,4	2,2	2,0	1,8	3,1	2,8	2,6	2,4	2,2	2,6	2,5	2,4	2,2	2,1
Tlaková ztráta	kPa	10,5	7,8	5,4	3,4	1,7	15,9	12,7	9,9	7,4	5,2	23,7	19,8	16,3	13,1	10,2	30,1	25,9	22,0	18,4	15,2	40,3	35,3	30,7	26,5	22,5	28,9	26,1	23,5	21,0	18,7
<b>průtok vzduchu 3800 m<sup>3</sup>/h (rychlost 2)</b>																															
Topný výkon	kW	25,3	21,4	17,5	13,5	9,0	32,9	29,1	25,3	21,6	17,8	41,9	37,9	34,0	30,2	26,4	48,9	45,0	41,1	37,3	33,5	58,4	54,3	50,3	46,4	42,4	76,2	72,1	68,0	64,0	60,0
Výstupní teplota vzduchu	°C	24,2	27,6	30,8	33,8	36,0	31,6	35,3	38,9	42,3	45,6	40,4	44,3	47,9	51,5	55,0	47,4	51,5	55,4	59,2	62,9	56,5	60,6	64,6	68,4	72,1	72,9	77,4	81,7	85,8	89,8
Průtok vody	m <sup>3</sup> /h	1,1	0,9	0,7	0,6	0,4	1,4	1,2	1,1	0,9	0,7	1,7	1,6	1,4	1,3	1,1	2,0	1,9	1,7	1,5	1,4	2,4	2,2	2,1	1,9	1,8	2,1	2,0	1,9	1,7	1,6
Tlaková ztráta	kPa	6,9	5,1	3,6	2,2	1,1	10,4	8,3	6,5	4,8	3,4	15,4	12,9	10,6	8,5	6,7	19,6	16,8	14,3	12,0	9,9	26,1	22,9	19,9	17,1	14,6	18,7	16,9	15,2	13,6	12,1
<b>průtok vzduchu 2750 m<sup>3</sup>/h (rychlost 1)</b>																															
Topný výkon	kW	20,1	17,3	14,1	10,8	6,1	26,5	23,5	20,4	17,4	14,4	33,7	30,5	27,4	24,3	21,2	39,3	36,2	33,1	30,0	27,0	46,9	43,7	40,4	37,2	34,1	61,3	58,0	54,7	51,4	48,2
Výstupní teplota vzduchu	°C	27,2	30,1	32,8	35,2	35,5	35,5	38,8	41,9	45,1	47,8	45,3	48,8	52,1	55,1	58,2	53,2	56,8	60,3	63,7	67,1	63,1	66,8	70,5	73,9	77,3	81,7	85,8	89,7	93,5	97,1
Průtok vody	m <sup>3</sup> /h	0,9	0,7	0,6	0,5	0,3	1,1	1,0	0,9	0,7	0,6	1,4	1,3	1,1	1,0	0,9	1,6	1,5	1,4	1,2	1,1	1,9	1,8	1,7	1,5	1,4	1,7	1,6	1,5	1,4	1,3
Tlaková ztráta	kPa	4,7	3,5	2,4	1,5	0,5	7,0	5,6	4,4	3,3	2,3	10,4	8,7	7,2	5,8	4,5	13,2	11,3	9,6	8,1	6,7	17,5	15,3	13,3	11,5	9,8	12,6	11,4	10,2	9,2	8,1

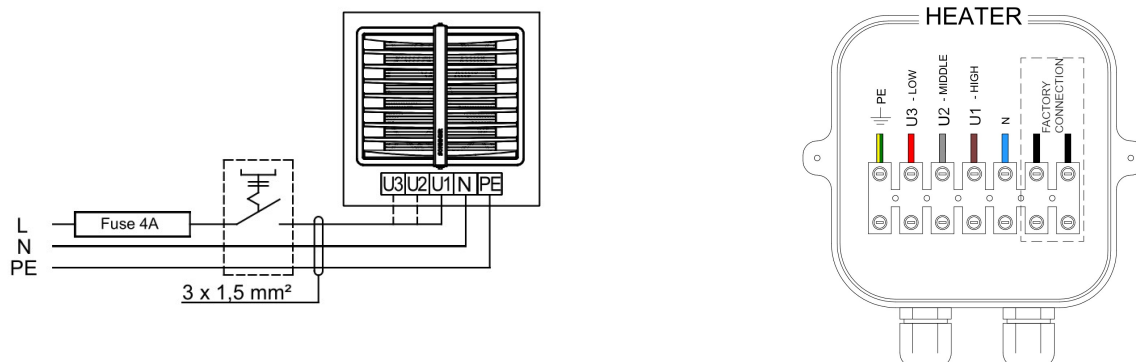
HEATER CONDENS CR4 MAX

Parametry topné jednotky		50/30					60/40					70/50					80/60					90/70					120/90				
Vstupní teplota vzduchu		0	5	10	15	20	0	5	10	15	20	0	5	10	15	20	0	5	10	15	20	0	5	10	15	20	0	5	10	15	20
<b>průtok vzduchu 5100 m<sup>3</sup>/h (rychlost 3)</b>																															
Topný výkon	kW	42,1	35,7	29,3	22,9	16,0	54,1	47,9	41,7	35,5	29,3	68,3	61,9	55,5	49,2	42,9	79,5	73,1	66,8	60,6	54,4	93,9	87,3	80,8	74,4	68,0	121,6	115,0	108,4	101,9	95,5
Výstupní teplota vzduchu	°C	26,9	29,8	32,6	35,3	37,6	34,7	38,1	41,2	44,3	47,1	44,1	47,5	50,6	53,8	56,8	51,0	54,5	57,9	61,2	64,5	60,1	63,6	67,0	70,4	73,5	78,0	81,8	85,5	89,2	92,6
Průtok vody	m <sup>3</sup> /h	1,6	1,4	1,1	0,9	0,6	2,1	1,8	1,6	1,4	1,1	2,6	2,4	2,1	1,9	1,6	3,0	2,8	2,6	2,3	2,1	3,6	3,4	3,1	2,9	2,6	3,1	3,0	2,8	2,6	2,5
Tlaková ztráta	kPa	14,3	10,7	7,5	4,8	2,5	21,6	17,3	13,5	10,1	7,2	32,1	26,8	22,0	17,7	13,8	40,8	35,1	29,8	24,9	20,5	54,3	47,5	41,3	35,5	30,2	39,2	35,4	31,8	28,4	25,2
<b>průtok vzduchu 3400 m<sup>3</sup>/h (rychlost 2)</b>																															
Topný výkon	kW	32,3	27,4	22,5	17,5	12,1	41,4	36,7	32,0	27,3	22,5	52,2	47,2	42,4	37,6	32,9	60,6	55,8	51,0	46,2	41,5	71,5	66,4	61,5	56,6	51,7	92,8	87,7	82,6	77,7	72,8
Výstupní teplota vzduchu	°C	30,9	33,3	35,6	37,6	39,0	39,8	42,7	45,4	47,8	50,2	50,5	53,4	56,1	58,7	61,1	58,3	61,3	64,3	67,0	69,8	68,5	71,6	74,5	77,3	80,0	89,1	92,5	95,8	98,9	101,9
Průtok vody	m <sup>3</sup> /h	1,2	1,1	0,9	0,7	0,5	1,6	1,4	1,2	1,0	0,9	2,0	1,8	1,6	1,4	1,3	2,3	2,1	1,9	1,8	1,6	2,7	2,6	2,4	2,2	2,0	2,4	2,3	2,1	2,0	1,9
Tlaková ztráta	kPa	8,9	6,6	4,6	2,9	1,5	13,3	10,7	8,3	6,3	4,4	19,6	16,4	13,5	10,9	8,5	25,0	21,4	18,2	15,3	12,6	33,0	28,9	25,1	21,6	18,3	23,9	21,6	19,4	17,3	15,4
<b>průtok vzduchu 2400 m<sup>3</sup>/h (rychlost 1)</b>																															
Topný výkon	kW	25,3	21,5	17,6	13,6	9,0	32,4	28,7	25,0	21,4	17,7	40,7	36,9	33,1	29,4	25,7	47,3	43,5	39,7	36,1	32,4	55,6	51,6	47,8	44,0	40,2	72,3	68,3	64,4	60,5	56,7
Výstupní teplota vzduchu	°C	34,4	36,4	38,1	39,4	39,7	44,4	46,7	49,0	51,0	52,8	56,1	58,4	60,7	62,9	64,9	64,6	67,3	69,8	72,2	74,4	75,8	78,4	81,0	83,4	85,6	98,8	101,8	104,7	107,3	109,9
Průtok vody	m <sup>3</sup> /h	1,0	0,8	0,7	0,5	0,3	1,2	1,1	1,0	0,8	0,7	1,6	1,4	1,3	1,1	1,0	1,8	1,7	1,5	1,4	1,2	2,1	2,0	1,8	1,7	1,5	1,9	1,8	1,7	1,6	1,5
Tlaková ztráta	kPa	5,7	4,2	3,0	1,9	0,9	8,6	6,9	5,4	4,0	2,9	12,5	10,5	8,6	6,9	5,4	15,9	13,6	11,6	9,7	8,0	20,9	18,3	15,9	13,6	c	15,2	13,7	12,3	11,0	9,7

### 13. SCHÉMATA ELEKTRICKÉHO ZAPOJENÍ

#### 13.1. Připojení ohřivače HEATER bez automatizace

\* Jednotka nezahrnuje: Hlavní vypínač, jistič a kabel



#### Ventilátor – popis zapojení

**U1** vysoká rychlost – hnědá

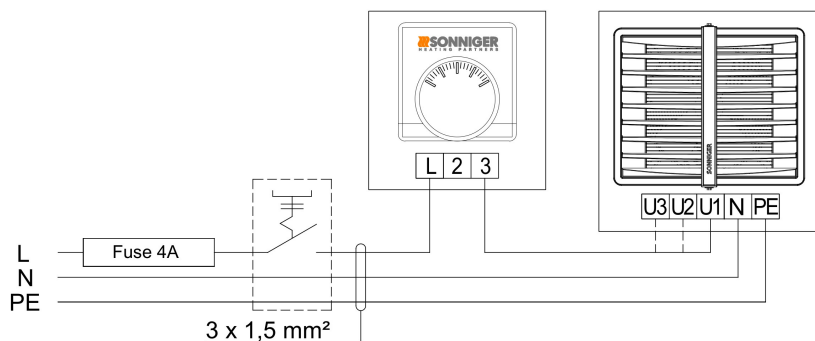
**U2** střední rychlost – šedá

**U3** nízká rychlost – červená

**N** neutral – modrá

**PE** zemní vodič - žlutá/zelená

#### 13.2. Připojení několika ohřivačů HEATER MIX k panelu TR-010



#### 13.3. Připojení několika ohřivačů HEATER k panelu COMFORT, s ventily a servopohony.

\* Jednotka nezahrnuje: Hlavní vypínač, jistič a kabel

Jeden panel COMFORT může regulovat:

- **6x** HEATER CONDENS ONE
- **3x** HEATER CONDENS CR1, CR2, CR3
- **2x** HEATER CONDENS MAX

**HEAT** - termostat vyšle signál pro servopohon s ventilem a ventilátor, ventilátor vypne při dosažení požadované teploty, servopohon – ventil uzavře přívod vody.

**FAN** – chod ventilátoru zařízení dle termostatu, ventily nepracují

**COOL** – termostat vydá provozní signál servopohonu a ventilátoru, zařízení se spustí nad nastavenou teplotou

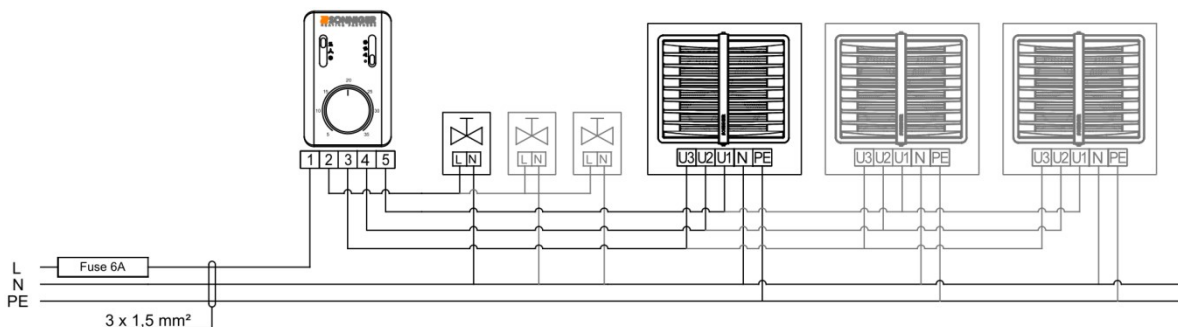
**Pozor! Je také možnost použití dodatečné změny pozice propojky SR1 na SR1 CONST, v tomto případě je možné provozovat ventilátor nezávisle na termostatu.**

Termostatický provoz je pouze pro ventily. V tomto případě:

**HEAT** – chod ventilátoru nezávisle na termostatu, ventily pracují až do nastavené teploty

**FAN** – chod ventilátoru zařízení, nezávisle na termostatu, ventily nepracují

**COOL** – chod ventilátoru nezávisle na termostatu, ventily pracují nad nastavenou teplotou



**13.4. Propojení ohřivačů HEATER CONDENS s panelem INTELLIGENT WIFI.**

Panel INTELLIGENT WIFI ovládá servo-ventily a automaticky reguluje otáčky ventilátoru v závislosti na požadované teplotě v místnosti. Po dosažení nastavené teploty v místnosti se chod ventilátoru automaticky změní na nižší rychlost. Doplňková funkce – týdenní termostat. dostupnost komunikace BMS.

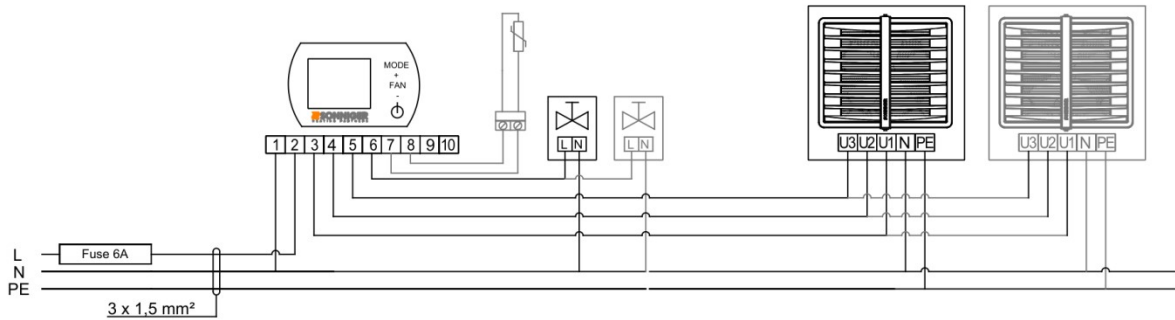
Možnost připojení snímače venkovní teploty NTC, dodávaného s kabelem délky 5m, max. délka kabelu 20 m.

Pro **destratifikátory MIX1 a MIX2** můžete použít **panel INTELLIGENT WIFI s teplotním čidlem NTC** a v režimu **COOL**

Jeden panel INTELLIGENT může regulovat:

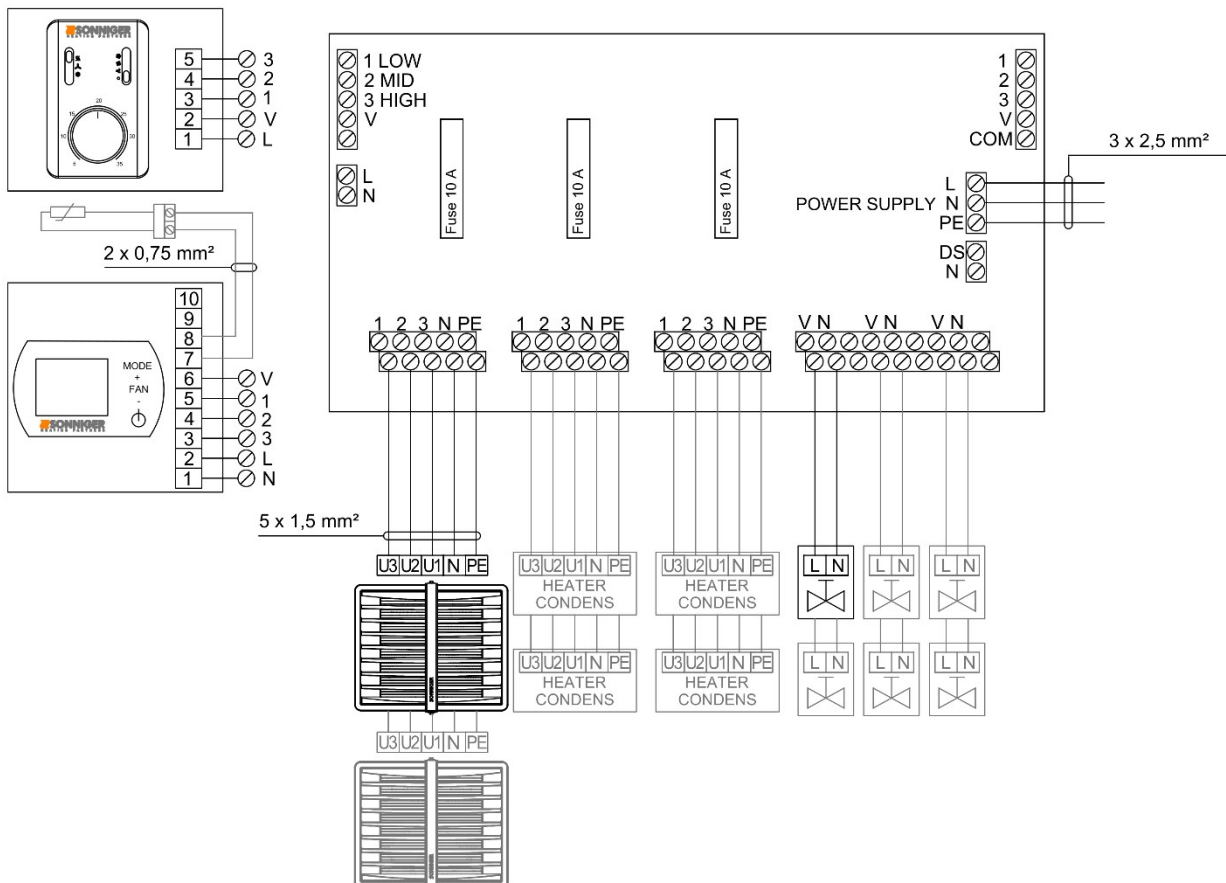
- až 4 ks HEATER CONDENS CR ONE
- až 2 ks HEATER CONDENS.CR1,2,3
- až 1 ks HEATER CONDENS CR MAX

\* Jednotka nezahrnuje: Hlavní vypínač, jistič a kabel



**13.5. Splitter MULTI 6 – ovládá až 6 jednotek HEATER CONDENS, CONDENS MAX nebo 12 jednotek HEATER ONE z jednoho panelu COMFORT nebo panelu INTELLIGENT WIFI**

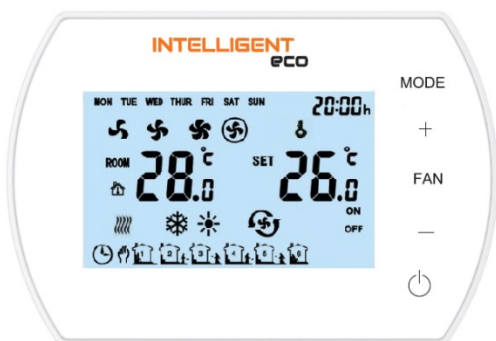
MULTI 6 Splitter (rozbočovač) umožňuje připojit a ovládat více ohřivačů vzduchu (max 6/12 ks) a ventilů se servopohony (max 6/12ks). Regulace ventilátorů a ventilů se provádí panely COMFORT nebo INTELLIGENT. Pro připojení více jak 6 ventilátorů a ventilů, je možné připojit rozdělovače MULTI 6 Splitter k sobě (maximální rozšíření až na 10 Splitter MULTI6). V takovém případě se u prvního MULTI 6 Splitter nechá konektor DS-N otevřený, v dalších rozdělovačích (od 2. do 10.) musí být konektor DS-N uzavřen.





## 14. PANEL INTELLIGENT WIFI – manual programovatelného ovládače

Panel Intelligent WIFI ovládá elektroventily a automaticky reguluje otáčky ventilátoru v závislosti na požadované teplotě v místnosti. Čím nižší je teplota v místnosti, tím vyšší vzduchový výkon je nastaven. Otáčky ventilátorů se automaticky změní na nižší rychlost, když se teplota v místnosti přiblíží požadované. Panel Intelligent WIFI umožňuje spravovat práci zařízení přes mobilní aplikaci TUYA SMART

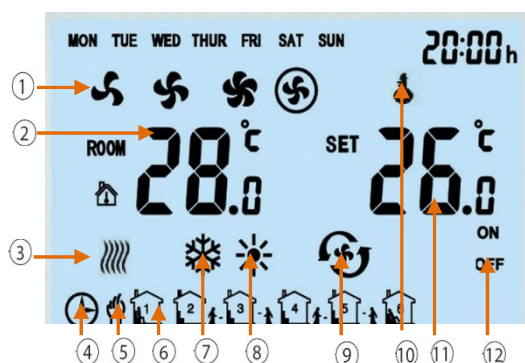


### Funkce

Panel INTELLIGENT WIFI je určený pro produkty SONNIGER

- Týdenní termostat (5/1/1 dny)
- Automatické nebo manuální 3-stupňové nastavení rychlosti ventilátoru
- Regulace teploty v místnosti (zavíráním/otevíráním) ventilu nebo automatickým nastavením množství vzduchu
- Protizámrný režim – ochrana proti poklesu teploty v místnosti pod nízkou kritickou úroveň 5 ~ 15 °C.
- Možnost připojení externího teplotního čidla NTC.
- BMS komunikace protokolem MODBUS
- Bezdrátové ovládání pomocí aplikace TUYA SMART app
- Bezpotenciálový kontakt

### Popis ovládače



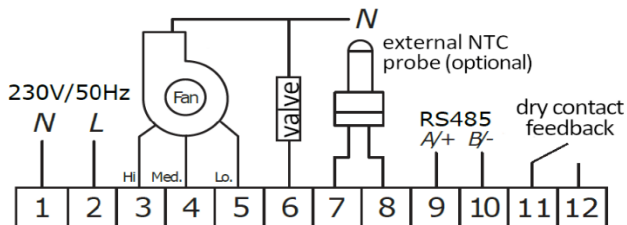
1. Otáčky ventilátoru: NÍZKÉ, STŘEDNÍ, VYSOKÉ nebo AUTO (LOW, MED, HI a AUTO)
2. POKOJOVÁ TEPLOTA nebo teplota EXTERNÍHO ČIDLA NTC (naměřená teplota)
3. Indikace ochrany proti zamrznutí
4. Automatický programovací režim
5. Manuální režim
6. 6 časových úseků za 24 hod.
7. Režim chlazení
8. Režim vytápění
9. Režim větrání
10. Zámek tlačítka
11. NASTAVENÍ TEPLoty (požadovaná teplota)
12. ON/OFF stav časových pásem



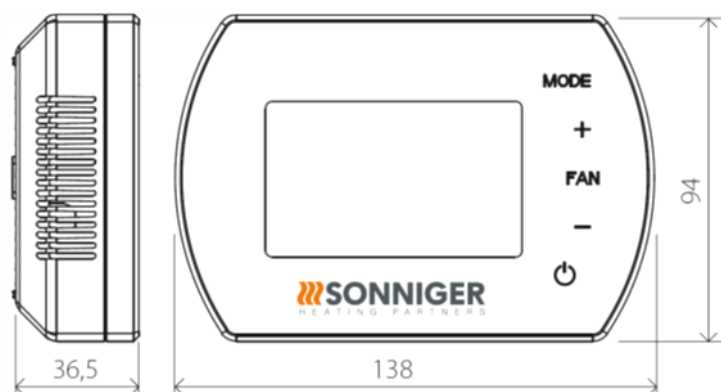
- 13 Režim/MODE Krátkým stisknutím vyberte manuální nebo automatický režim; Stiskněte a podržte 3 s, vyberte režim chlazení, topení nebo větrání
- 14 FAN Ventilátor: Krátce stiskněte a vyberte rychlost ventilátoru Low, Med, High nebo Auto
- 15 ON/OFF panel INTELLIGENT

### Technické parametry

1	Napájení	230VAC/50Hz
2	Rozsah nastavení teploty	5°C 40°C
3	Teplotní pracovní rozsah	-10°C 60°C
4	IP	20
5	Teplotní senzor	Interní / externí NTC (volitelné)



## Rozměry



## Menu nastavení

Když je panel INTELLIGENT WIFI vypnutý, stiskněte a podržte tlačítko MODE po dobu 5 sekund.

Pro změnu možnosti použijte tlačítko MODE.

Pro změnu hodnoty použijte tlačítka +/-.

Menu nastavení	Volba	Hodnota
1	Kalibrace teploty	-9°C ~ +9°C
2	EEPROM	0: no paměť 1: paměť
3	Stav ventilátoru	C1: Termostatický režim C2: Kontinuální režim
4	Teplotní senzor	0: Interní Sensor 1: Externí Sensor NTC (volitelně)
5	Protizámrný	0: Off 1: On
6	Protizámrný rozsah	+5°C ~ +15°C
7	ALARM	0: deaktivován 1: aktivován ALARM
8	Nastavení bezpotenciálového kontaktu	0: NO 1: NC
9	MODBUS	0: deaktivován 1: aktivován
10	BMS rychlost	0-2400 / 1-9600 / 2-19200
11	Modbus ID	1~247 (01~F7)

### Tlačítko Zamknout / Odemknout

Pro zamknutí tlačítek stiskněte a podržte + a pak - a držet obě po dobu 5 sekund.

Pro odemknutí tlačítek stiskněte a podržte + a pak - a držet obě po dobu 5 sekund.

### Stiskněte MODE

Změna na manuální režim  nebo automatický režim 

### Podržte tlačítko MODE po dobu 5 sekund

Změna na režim chladicí , režim vytápění , režim větrání 








### Stiskněte tlačítko FAN

Změna rychlosti práce ventilátoru nízká , střední , vysoká , automatická 

### Podržte tlačítko FAN po dobu 5 sekund

Manuální programování kalendáře Po - Pá, So, Ne 6 nastavení denně

### BMS funkce

-  Nastavení/čtení pracovních parametrů
-  Práce/Bez práce zařízení
-  Týdenní program
-  Teplota
-  Rychlost ventilátoru
-  Topení, ventilace, režim chladný
-  Ochrana proti zamrznutí (antifreeze mode)

## Technická dokumentace ohřivače HEATER CONDENS v 202301

Číslo	Položky	Specifikace
1	Working Mode	RS485 Semi-duplex; PC or main controller is master; thermostat is slave
2	Interface	A(+),B(-), 2 wires
3	Baud Rate	0-2400 / 1-9600 / 2-19200
4	Byte	9 bits in total: 8 data bit + 1 stop bit
5	Modbus	RTU Mode
6	Transmission	RTU (Remote Terminal Unit) format (please refer to MODBUS instruction)
7	Thermostat address	1–247 ; (0 is broadcast address and stand for all thermostat without response)

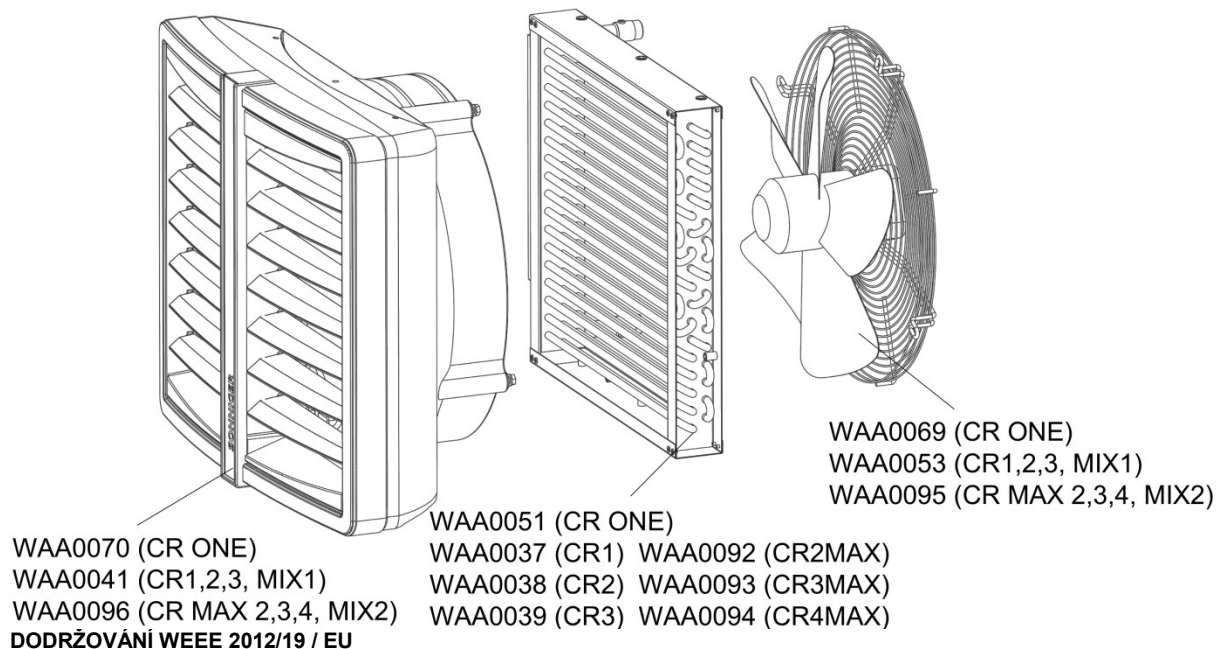
### WIFI funkce

- 🔊 Nastavení/čtení pracovních parametrů
- 🔊 Provoz/Bez provozu zařízení
- 🔊 Týdenní program
- 🔊 Teploty
- 🔊 Rychlost ventilátoru
- 🔊 Režim vytápění, větrání, chlazení

### PROPOJENÍ PANELU INTELIGENT WIFI S APLIKACÍ TUYA

1. Stáhněte si aplikaci Tuya Smart app (k dispozici v App Store a Google Play)
2. Připojte ovládací panel k napájení a zařízení, ovládací panel by měl být vypnutý
3. Zapněte aplikaci Tuya app a postupujte podle pokynů v aplikaci
4. Pro proces připojení povolte GPS a Bluetooth v telefonu
5. Chcete-li aktivovat režim párování na panelu INETLLIGENT WIFI, dvakrát klepněte a podržte symbol "+" po dobu 5 s dokud se na levé straně obrazovky neobjeví symbol SA
6. Zvolte funkci "přidat zařízení"(add devices), aplikace by měla automaticky najít ovládací panel, stiskněte tlačítko "přidat"(add) a po dokončení procesu konfigurace stiskněte "další"(next) a "dokončeno"(finished)
7. Při absenci funkce "přidat" (add) vyberte záložku "malá zařízení"(small devices) a funkci "thermostat (WIFI)". Poté zadejte údaje k vybrané WIFI síti a potvrďte "Blikn slowly".
8. Zobrazí se obrazovka s informacemi o hledání zařízení. Po detekci ovladače je proces připojení automatický. Po dokončení procesu konfigurace stiskněte "další"(next) a "dokončeno"(finished)

### NÁHRADNÍ DÍLY



V souladu s platnými právními předpisy v době nákupu nového elektrického nebo elektronického zařízení s následující značkou:



PAMATUJTE, ŽE JE ZAKÁZÁNO ODKLÁDAT POUŽITÉ ZAŘÍZENÍ S JINÝMI ODPADY.  
Informace o systému sběru elektrických a elektronických zařízení získáte u svého distributora.

## ZÁRUČNÍ PODMÍNKY PRO ZAŘÍZENÍ

### § 1 Rozsah záruky

1. Tato záruka se vztahuje na materiálové vady zařízení, neumožňující jeho používání vsouladus uvedeným účelem. Záruka se nevztahuje na instalační práce a údržbu zařízení.
2. Záruční doba je 24 měsíců od data nákupu zařízení, datum nákupu je umístěné na prodejní faktuře a obsahuje všechny díly/komponenty dodávky.
3. Produkty dodávané přes třetí stranu, spadají pod záruku toho dodavatele.
4. Zařízení mohou ovládat a obsluhovat výhradně osoby vyškolené v provozu a údržbě zařízení s příslušnými oprávněními. Veškeré činnosti spojené s uvedením do provozu, servisní práce a opravy musí být zapsány v záručním listu
5. Podmínkou záruky je provedení montáže a uvedení zařízení do provozu v souladu s technickou dokumentací, nejpozději do 6 měsíců od data zakoupení.
6. Podmínkou zachování záruky po celou záruční dobu, je dodržování servisních prací uvedených v technické dokumentaci pro dané zařízení v sekci "ÚDRŽBA". Služby spojené se servisem a s údržbou zařízení jsou prováděny na objednávku a náklady uživatele.
7. Poskytnutí záručního servisu nepřerušuje ani nepozastavuje záruční dobu. Záruka na vyměněné nebo opravené komponenty zařízení se končí po uplynutí termínu záruční doby na zařízení.

### § 2 Odmítnutí záruky

1. Záruka se nevztahuje na mechanické poškození a poškození elektrických částí vyplývající z nesprávného používání, transportu, elektrickým skokům v síti nebo jiných příčin nevyplyvajících z vad výrobků. V souladu s tím se záruka vztahuje pouze na výměnu dílů/komponentů, které obsahují konstrukční chybu bez dodatečných nákladů pouze tehdy, je-li vrácen vadný díl.
2. Záruka zařízení se nevztahuje na případy chyb technických, ke kterým došlo v průběhu procesu týkajícího se instalace, nastavení a ovládání zařízení, a to zejména:
  - závady způsobené připojením zařízení k nesprávně zaprojektovanému ventilačnímu systému, který umožňuje další tepelnou zátěž, odchylovající se od normy a snižující účinnost výměníku tepla.
  - závady způsobené připojením komponentů nebo dílů, které jsou součástí topného systému, ale nebyly dodány prodávajícím, a jejich špatná funkce má negativní vliv na chod zařízení.
  - vady vzniklé napojením na komponenty, které nejsou originálním náhradním dílem.
  - vady vzniklé v případě odprodeje výrobku původním kupujícím/uživatelé dalšímu kupujícímu, který zdemontuje/nainstaluje zařízení, které bylo původně nainstalované a pracovalo v konkrétním objektu a v předepsaných podmínkách (dle původního projektu).
  - vady vyplývající z nedostatečné odbornosti a nevědomosti montéra a technických pracovníků, kteří nesprávně provedou další, poprodejový servis.
  - vady plynoucí ze zvláštních podmínek provozování, jež se odchylovají od standardních aplikací, pokud se smluvní strany (prodávající a technický personál zákazníka) předem písemně nedohodli.
  - vady vzniklé z důsledků vyplývajících z přírodních katastrof, jako jsou např. požár, exploze a další události, které mohou způsobit poškození mechanických, elektrických a bezpečnostních prvků.
  - vady vyplývající z nesprávného čištění technické místnosti nebo místa, kde je zařízení nainstalováno, je potřeba čištění provádět pravidelně, v závislosti na pracovních podmínkách a hromadění prachu.
  - vady vyplývající z chybějícího nebo nedostatečného čištění tepelných výměníků, čištění by mělo být pravidelné, v závislosti na pracovních podmínkách a hromadění prachu.
  - vady vzniklé v důsledku nesprávné instalace, nepřizpůsobené provozním podmínkám při nízkých venkovních teplotách.
  - vady vzniklé v důsledku podmínek nízké teploty v situaci kdy instalační firma nemontuje zabezpečující prvky pro tento typ zařízení s cílem:
    - vyhnout se nízkým teplotám na elektrických a mechanických komponentech, jako jsou ventily nebo elektronické řídicí jednotky
    - předejít kondenzaci vody a tvorbě námrazy/ledu v blízkosti zařízení
    - vyhnout se náhlému termickému šoku ohřívače a výměníku tepla v důsledku náhlých změn venkovních teplot.

### § 3 Firma SONNIGER rovněž nese odpovědnost za:

1. Průběžnou údržbu, servisní prohlídky vyplývající z Technické dokumentace a programování zařízení.
2. Za škody způsobené zastavením zařízení a v čase čekání na záruční servis.
3. Za jakékoliv škody vzniklé jinde než na zařízení v majetku klienta.

### § 4 Reklamační řád

1. Reklamace na něž se vztahují záruční podmínky uživatel hlásí přímo u distributora
2. Opravy na které se vztahuje tato záruka budou provedené v rámci činnosti instalačních firem. Opravy vyplývající ze záruky budou prováděny v místě instalace zařízení.
3. Záruka bude vyřešena v průběhu 14 dnů od oznámení, ve výjimečných případech může být doba prodloužena o dobu dodání náhradních dílu dodavatelem.
4. Uživatel v rámci této služby se zavazuje:
  - Umožnit úplný přístup do prostoru v němž je zařízení namontováno, spolu se zajištěním nezbytné infrastruktury umožňující přímý přístup k zařízení (platforma, lešení, apod.) tak, aby se mohla provést údržba, na kterou se tato záruka vztahuje.

### Technická dokumentace ohřivače HEATER CONDENS v 202301

- Předložit originál záručního listu spolu s fakturou dokumentující nákup zařízení.
  - Zajistit bezpečnost během těchto prací
  - Zajistí možnost započítí práce ihned po příjezdu na místo poskytnutí služby
5. K vyřízení reklamace je nutné zaslat na níže uvedenou adresu následující dokumenty:
- Správně vyplněný formulář s žádostí o reklamaci, který je dostupný na [www.sonniger.cz](http://www.sonniger.cz)
  - Kopii záručního listu.
  - Kopii faktury potvrzující nákup zařízení.
6. Oprava a výměna dílů bude provedena bezplatně pod podmínkou, že zástupce instalační firmy nebo zástupce výrobce zjistí, že vada na zařízení je způsobena výrobcem.
7. Všechny náklady (opravy, náklady na náhradní díly, doprava), vyplývající z neoprávněné reklamace - zejména v případě, kdy zástupce instalační firmy nebo zástupce výrobce zjistí, že škoda byla způsobena nedodržením pokynů obsažených v technické dokumentaci, nebo zjistí existenci skutečností uvedených v § 2 (Odmítnutí záruky) - budou hrazeny objedávajícím zákazníkem.
8. Žadatel o reklamaci je povinen písemně potvrdit provedení servisních prací.
9. Firma SONNIGER má právo odmítnout provedení záručních prací v případě, že firma SONNIGER eviduje neuhrazené pohledávky po splatnosti, neobdržela celou platbu za reklamované zařízení nebo neobdržela platbu za dříve poskytnuté servisní služby.

## ZÁRUČNÍ KARTA

INVESTICE : .....

MODEL ZAŘ.....

VÝROBNÍ ČÍSLO: .....

DATUM NÁKUPU : .....

DATUM UVEDENÍ DO PROVOZU: .....

ÚDAJE INSTALAČNÍ FIRMY:

Osoba zprovozňující zařízení: .....

NÁZEV FIRMY: .....

ADRESA: .....

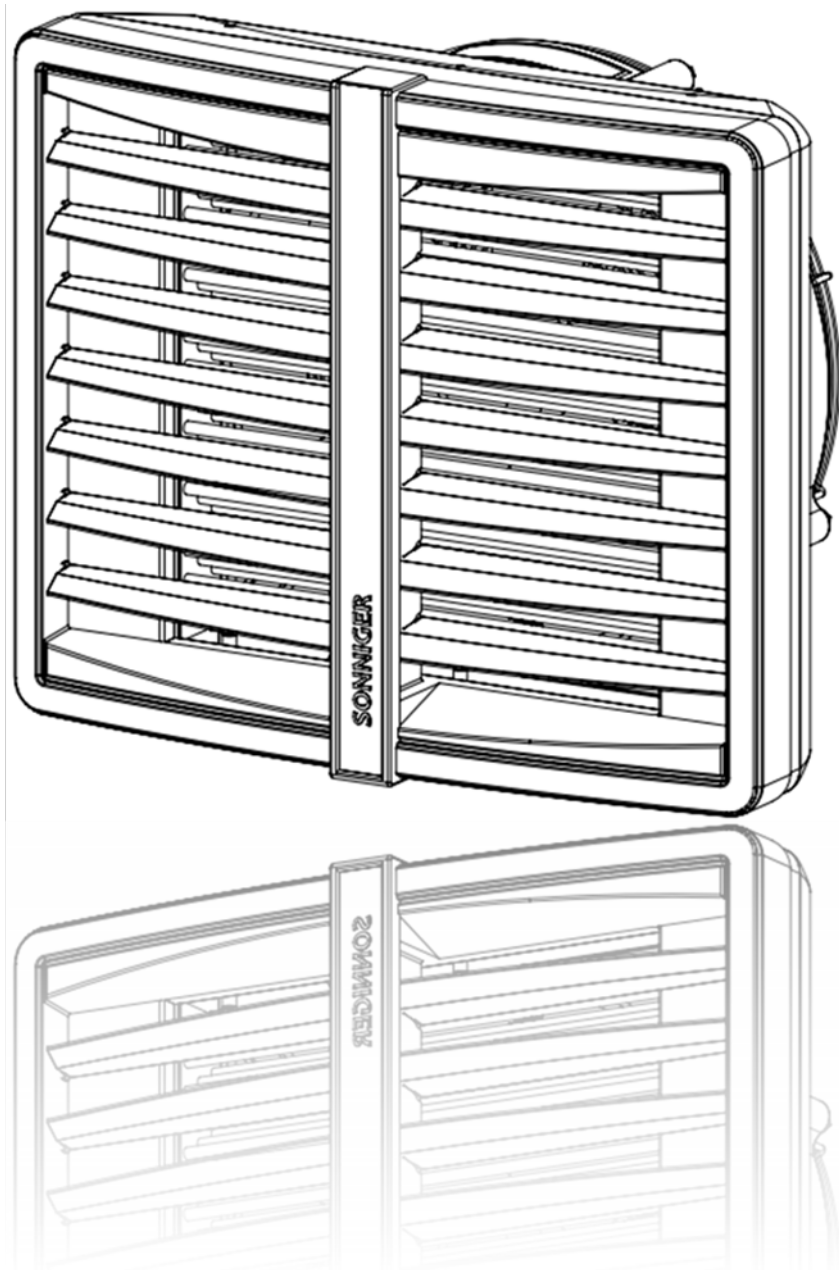
TELEFON: .....

Podpis osoby zprovozňující zařízení: .....

Evidence instalačních prací, prohlídek, oprav:

Datum	Rozsah montážních prací, oprav, prohlídek	Podpis a razítko instalační firmy

## Technická dokumentácia ohrievača HEATER CONDENS

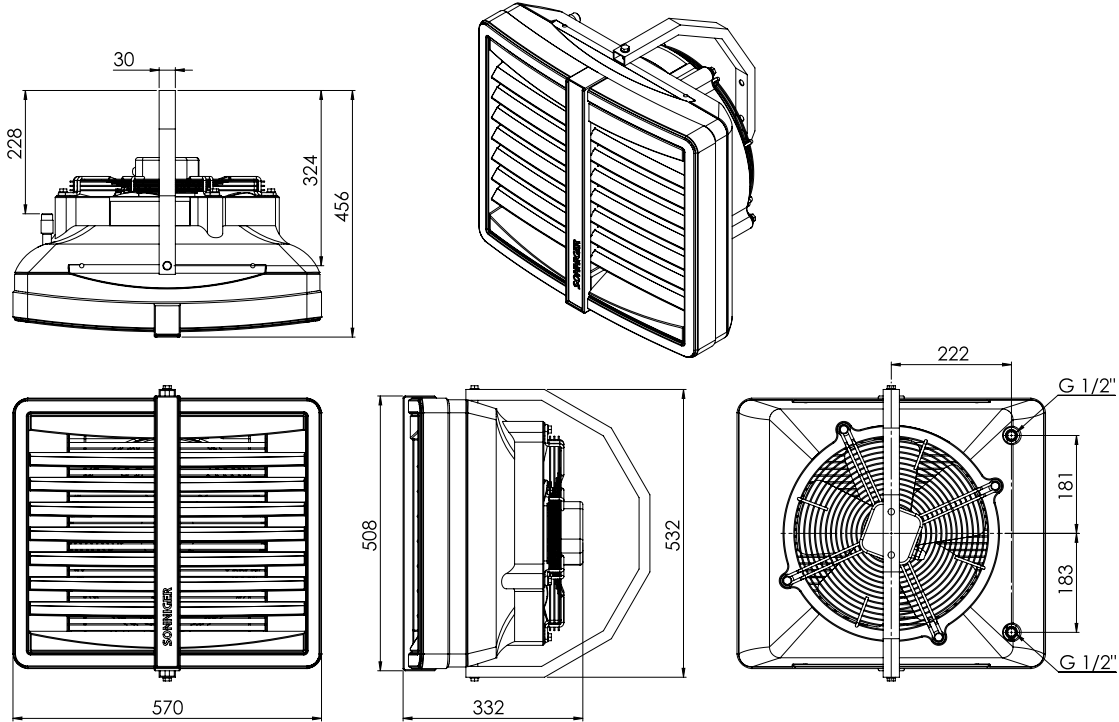


 **SONNIGER**  
HEATING PARTNERS

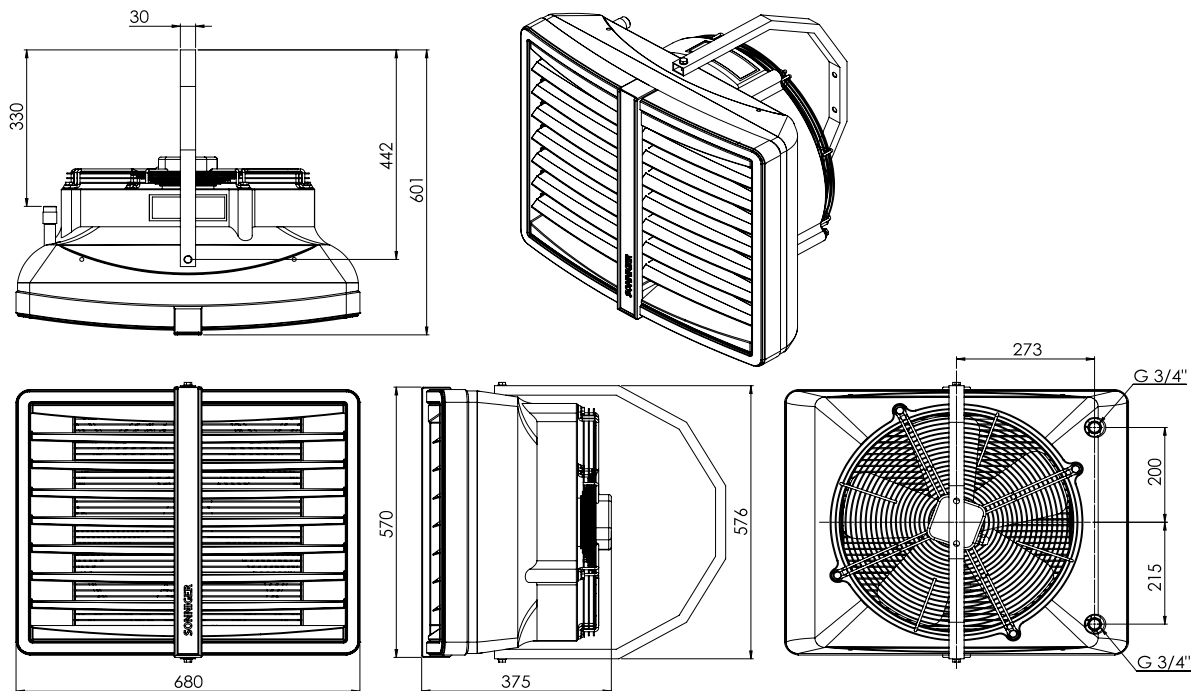
## 1. POUŽITIE

Vykurovacie a ventilačné zariadenie HEATER CONDENS sú navrhnuté pre vykurovanie priemyselných objektov o malé a stredné kapacity, najmä ako sú: výrobné a skladové haly, autosalóny, dielne, športové a zábavné haly, sakrálné budovy a kostoly, obchody a sklady, poľnohospodárske objekty, výstavné haly. HEATER CONDENS sú ohrievače vody určené pre pripojenie k zdrojom o nízkej teplote vody (napr. kondenzačné kotly, priemyselné tepelné čerpadlá). Hlavné výhody HEATER CONDENS sú: vysoká výstupná teplota vzduchu pri nízkej teplote vody dodávanej do jednotky, maximálne využitie vykurovacej plochy výmenníka - nová (zahustená) geometria konštrukcie výmenníka a optimalizovaný prietok vzduchu - vysoká výstupná teplota vzduchu je pri každej rýchlosti ventilátora

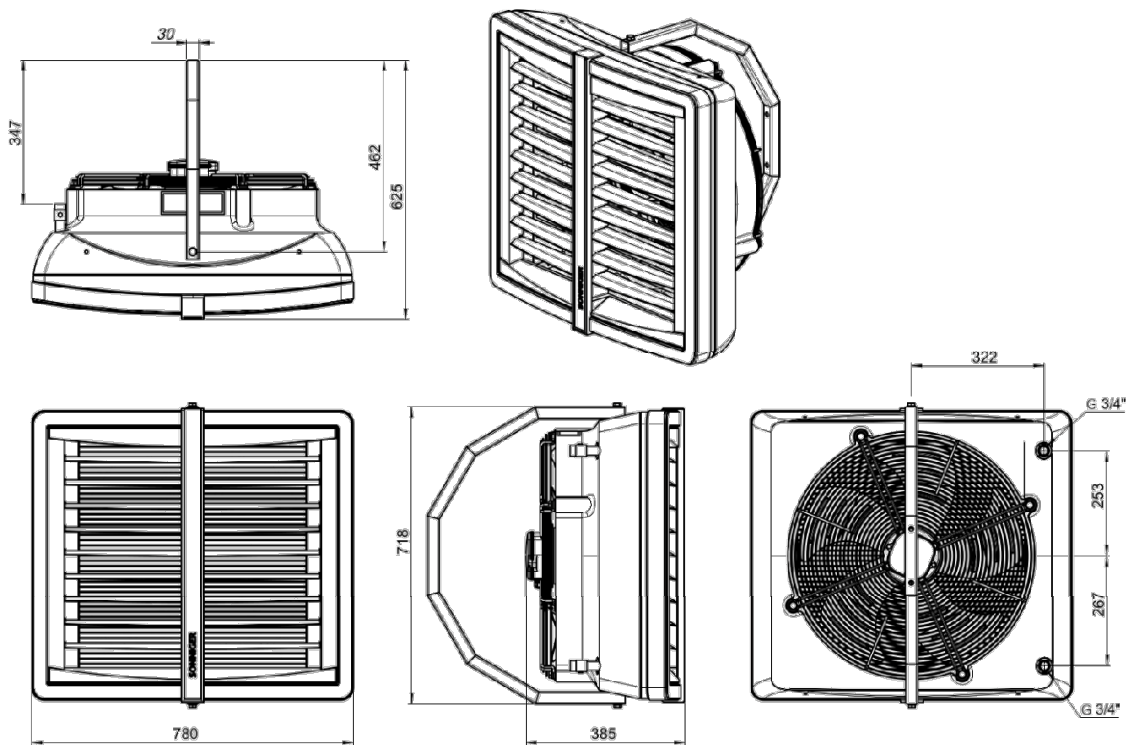
## 2. ROZMERY A ZÁKLADNÉ TECHNICKÉ PARAMETRE HEATER CONDENS CR ONE



## ROZMĚRY A ZÁKLADNÍ TECHNICKÉ PARAMETRY HEATER CONDENS CR1, CR2, CR3, MIX1



Technická dokumentácia ohrievača HEATER CONDENS v202301



**ROZMERY A ZÁKLADNÉ TECHNICKÉ PARAMETRE HEATER CONDENS CR2 MAX, CR3 MAX, CR4 MAX, MIX2**

**Základné prvky ohrievača HEATER CONDENS:**

- ▮ kryt je vyrobený z vysoko odolného EPP (expandovaný polypropylén)
- ▮ regulovateľné žalúzie
- ▮ 3 rýchlostné axiálne ventilátory o priemere 350 mm, 450mm alebo 550 mm, ventilátor je chránený pred priamym prístupom k rotujúcim častiam vďaka zabudovanej bezpečnostnej mriežke
- ▮ výmenník tepla (Cu/Al) je vyrobený z medených trubiiek umiestnených v rebrovanom hliníkovom bloku s vyvedeným medeným uzáverom so šrôbením 1/2", 3/4". Vývody sú vybavené uzávermi, ktoré umožňujú odvetranie a vypúšťanie kvapaliny.

TECHNICKÉ PARAMETRE	HEATER CONDENS								DESTRATIFIKÁTOR	
		CR ONE	CR1	CR2	CR3	CR2 MAX	CR3 MAX	CR4 MAX	MIX 1	MIX 2
Rozsah vykurovacieho výkonu	kW	5-25	10-35	15-50	20-70	25-70	35-95	40-120	-	-
teplotný spád (90/70 °C) / Δt Nárast teploty vzduchu*	kW / °C	19 kW/35°C	23 kW/18°C	39 kW/33°C	50 kW/48°C	55 kW/30°C	74 kW/49°C	94 kW /60°C	-	-
teplotný spád (70/50 °C) / Δt Nárast teploty vzduchu*	kW / °C	13 kW/25°C	16 kW/13°C	26 kW/22°C	35 kW/34°C	40 kW/22°C	53 kW/35°C	68 kW/44°C		
teplotný spád (50/30 °C) / Δt Nárast teploty vzduchu*	kW / °C	7 kW/15°C	9 kW/8°C	13 kW/11°C	20 kW/20°C	25 kW/14°C	32 kW/21°C	42 kW/27°C		
Max. prietok vzduchu	m <sup>3</sup> /h	1 600	3 900	3 350	2 950	5 700	5 600	5 100	4 800	7 200
Hlučnosť I / II / III rýchlosť ***	dB (A)	35/46/52	44/52/62	41/50/60	39/48/60	41/50/59	40/48/58	40/48/58	36/44/54	31/42/49
Počet vykurovacích radov	-	2	1	2	3	2	3	3	-	-
Max. prevádzkový tlak	MPa	1,6		1,6			1,6		-	-
Max. dosah vzduchu	m	14	24	21	19	26	25	23	13***	16***
Priemer pripojenia	palce	1/2"		3/4"			3/4"		-	-
Napájanie	V/Hz	230/50 0,58A		230/50 1,08A			230/50 2,2A		230/50 1,08A	230/50 2,2A
Výkon motora	W	124		250			520		250	520
Otáčky motora	obr/min	1400		1350			1380		1350	1380
Stupeň krytia IP	-	IP 54		IP 54			IP 54		IP 54	
Hmotnosť bez vody/s vodou	kg	9,6/10,7	10,8/11,9	12,7/14,8	14,5/16,9	23,6/25,2	25,2/27,4	25,5/28	9,2	15,8

\* prezentovaný vykurovací výkon pre teplotné spády 50/30°C – 120/90°C, vstupná teplota vzduchu 0°C, III rýchlosť.

\*\* pro vstupnú teplotu vzduchu 0°C

\*\*\* maximálna výška inštalácie pre vertikálne prúdenie vzduchu, max. pracovná plocha 380 m<sup>2</sup> pro HEATER MIX 1 a 450 m<sup>2</sup> pro HEATER MIX 2

\*\*\*\* merané vo vzdálenosti 5m

\*\*\*\*\* Horizontálne dosah izotermického prúdu vzduchu pri rýchlosti 0,5m/s



### 3. VŠEOBECNÉ INFORMÁCIE

Teplovodné ohrievače HEATER sú vyrábané v súlade s normami a predpismi, ktoré sa týkajú kvality, ekológie, užitočnosti a komfortu prevádzky. Prístroje HEATER sú dodávané v zmontovanom stave v kartónovom obale, ktorý ich chráni pred mechanickým poškodením. Balenie obsahuje : prístroj, príručku (TD) spolu so záručným listom. Objednaná voliteľná automatika je dodávaná v samostatnom balení. Bezprostredne po dodaní je potrebné skontrolovať obsah balenia a v prípade akéhokoľvek nedostatku vyplniť príslušný protokol dopravcu.

#### UPOZORNENIE

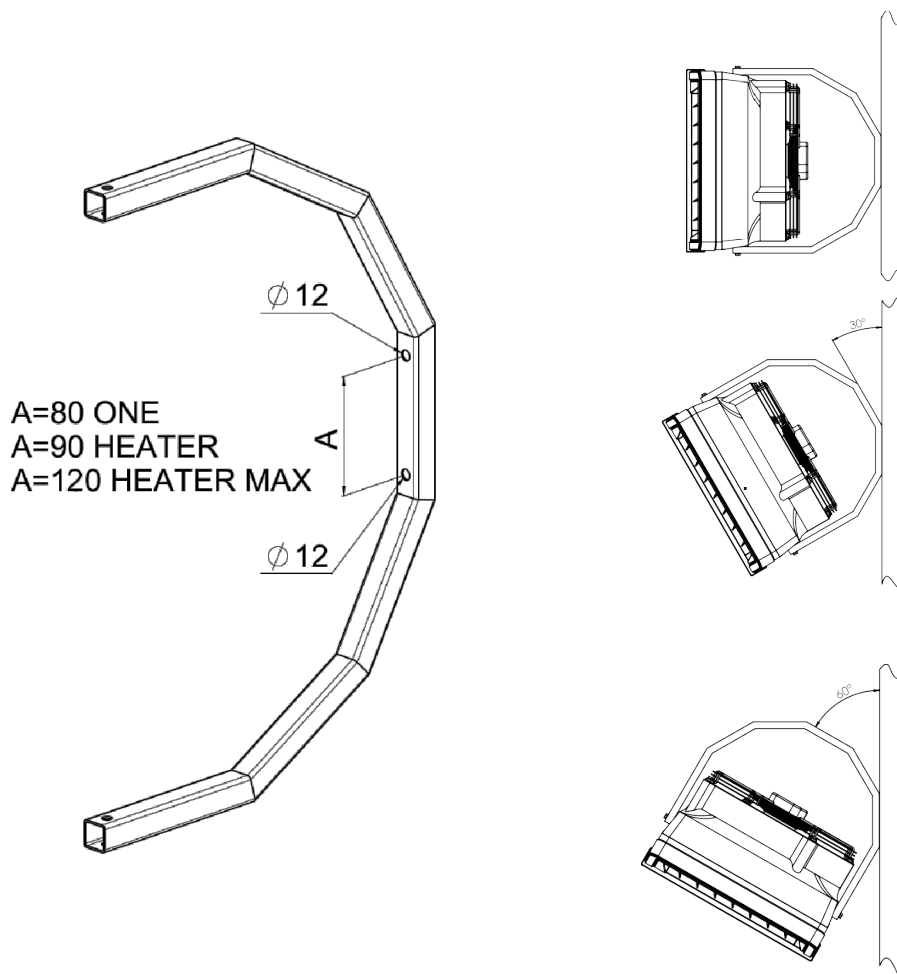
- ❶ Pred začiatkom montáže sa dôkladne oboznámte s návodom na obsluhu a dodržujte všetky bezpečnostné predpisy, ktoré súvisia s inštaláciou zariadenia. Ich nedodržanie by mohlo zaviniť zlý výkon zariadenia a stratu záruky.
- ❶ Pri manipulácii s elektrickými komponentmi zariadenia dodržujte bezpečnostné predpisy.
- ❶ Všetky inštalačné práce musí vykonávať pracovník s príslušnou kvalifikáciou a oprávnením

### 4. MONTÁŽ

Pri umiestnení prístroja je treba brať do úvahy: jednoduchý prístup pre údržbu, prístup k elektrickým a vodným inštaláciám, správne prúdenie vzduchu v miestnosti. Každá jednotka HEATER je vybavená sadou 2 vymeniteľných farebných vložiek. Zmenu farby je možné vykonať odstránením vložky z predného panela prístroja a vložení novú vložku s vybranou farbou.

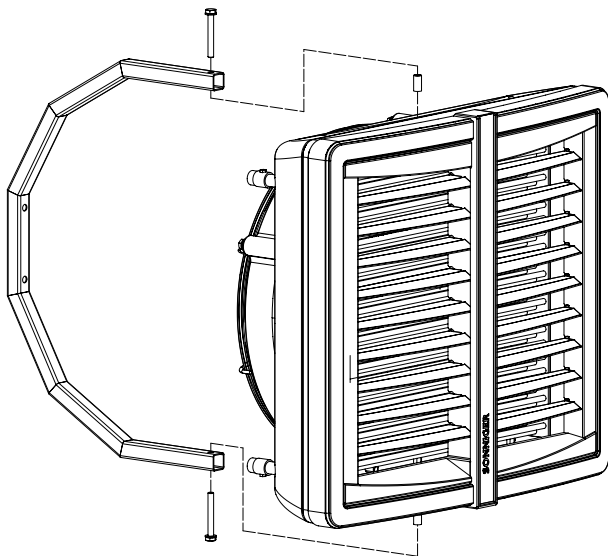
Doporučená montáž zariadenia je v polohe na stenu alebo pod stropom na montážnej konzole. Ďalšia možnosť je s použitím šróbovice (vo vlastnej rézii) alebo na nosnej konštrukcii – tvary a rozmery nosných konštrukcií môžete voľne navrhnuť pri dodržaní požiadaviek na pevnosť. V prípade montáže pod stropom venujte pozornosť tomu, že odvetranie prístroja môže byť sťažené – odporúča sa umiestnenie odvetrania v najvyššom bode potrubia.

Jednotku je možné inštalovať na stenu pomocou konzoly pod uhlom 0°, 30° alebo 60°. Držiak montážnej konzoly je vyrobený z ohýbaného profilu. Má dva otvory na upevnenie jednotky na stenu v horizontálnej pozícii. Montáž na stenu (alebo na strop) je možná aj pod iným uhlom, ale je nutné vyvrtáť otvor do konzoly.



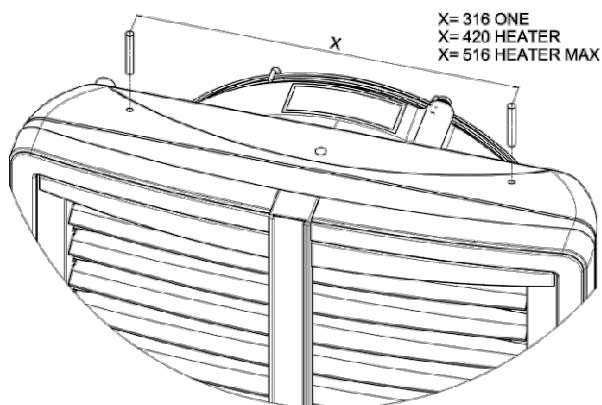
#### Montáž konzoly

Montážna konzola zahrňa: konzola, 2x púzdro, 2x šrób M8, 2x podložky. Na inštaláciu konzoly sa musia vyvrtávať dva otvory s priemerom 12-13mm v zadnej časti krytu, ako je znázornené na obrázku- **nevrtáť hlbšie ako 20mm, aby ste nepoškodili výmenník.** Na kryte sú naznačené miesta pre otvory. Do pripravených otvorov sa vloží púzdra a následne sa nasadí konzola.. Konzola sa prišrôbuje pomocou šróbov M8 s podložkami, ktoré sú súčasťou dodávky



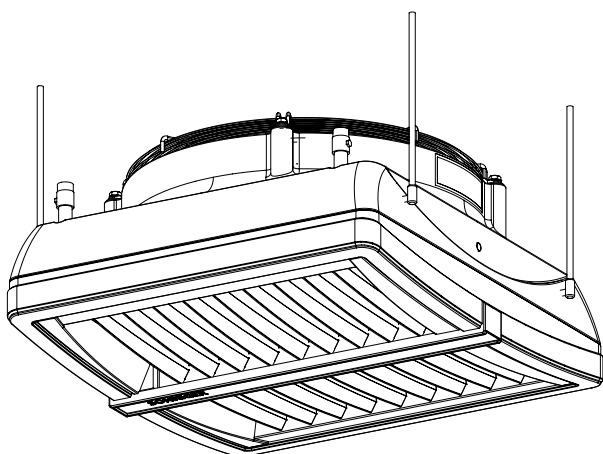
#### Montáž kolíkov

Ohrievač je možné ku stropu pripevniť aj pomocou montážnych kolíkov M8. Je nutné vyvrtávať 2 otvory s priemerom 8-9mm. Vložte šróbovicu do vyznačených miest na kryte. Je možné ich zašrôbovať do max. hĺbky **20mm.**



#### POZOR !

- ❶ Pri vŕtaní otvorov na označených miestach dávajte pozor, aby ste nepoškodili výmenník, **nevrtáť hlbšie ako 20mm.**



#### Montáž destratifikátora HEATER MIX

K montáži Destratifikátora HEATER MIX pod strop použijeme montážne kolíky M8. Vyvrtajte dva otvory s priemerom 8-9mm. Miesta pre kolíky sú viditeľne označené na opláštenie jednotky. Kolíky môžu byť maximálne zaskrutkované 20mm do rámu výmenníka. Montážne kolíky a spojovacie prvky nie sú súčasťou zariadenia

#### UPOZORNENIE

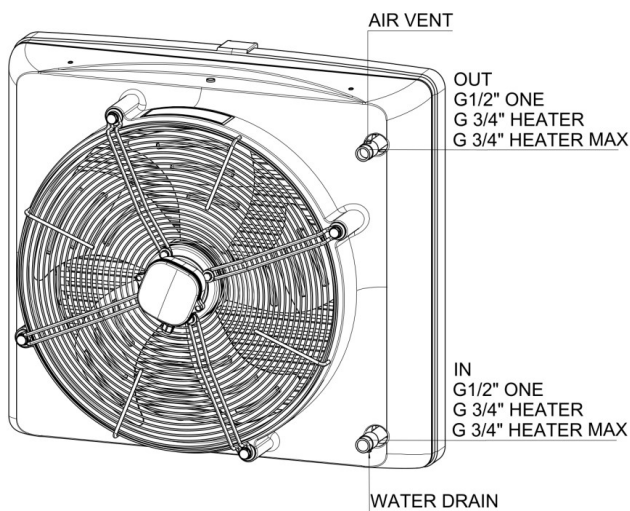
- ❶ Okolo prístroja je nutné zachovať zodpovedajúci priestor, tzn. z boku prístroja 200mm, za zadnou časťou – za ventilátorom 300mm.

## 5. ELEKTROINŠTALÁCIA

Realizácia elektroinštalácie a pripojenie prístroja do siete musia byť v súlade s platnými právnymi predpismi a stavebnými normami. Motor ventilátora má štandardnú vnútornú tepelnú ochranu, ktorá chráni motor pred prehriatím. Súčasťou dodávky nie je: sieťový kábel a hlavný vypínač (vid'. schéma). Elektrická inštalácia by mala byť prevedená osobou s príslušným oprávnením a oboznámenou s vyššie uvedenými pokynmi výrobcu. Pripojenie sieťového kábla a hlavného vypínača sa musí vykonávať v súlade so schémou elektrického zapojenia (s alebo bez automatizácie v závislosti od voľby zariadenia). Na škody spôsobené z vyššie uvedených príčin sa nevzťahuje záruka a náklady spojené s výmenou ohrievača nesie užívateľ. Pripojenie automatizácie sa musí vykonať podľa danej schémy elektrického zapojenia. V prípade akýchkoľvek nejasností alebo problému odpojte prístroj zo siete a obráťte sa na inštalátora zariadenia alebo priamo na autorizovaný servis SONNIGER.

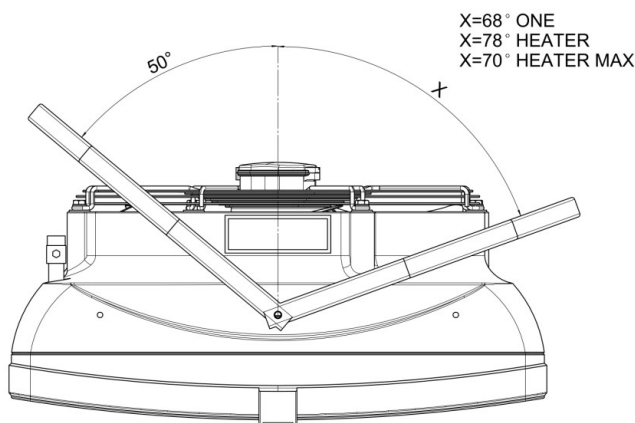
## 6. VODOINŠTALÁCIA

Zapojenie ohrievača musí byť zrealizované tak, aby sa k nemu servisná údržba bez problémov dostala. Na oboch šróbeniach zariadenia musia byť nainštalované ručné uzatváracie ventily, umožňujúce odpojenie prístroja. Napájacie potrubie ohrievača musí byť pripojené podľa označenia na kryte prístroja (vstup/výstup). V prípade elektromagnetického ventilu (voliteľná automatika) napájacie potrubie bude pripojené na výstupe vody zo zariadenia, inak môže dôjsť k poškodeniu ohrievača.



### Pripojenie vykurovacieho média

Šróbenie je v zadnej časti zariadenia. Pri uťahovaní šróbenia na výmenníku je potrebné chrániť pripojenie ohrievača pri uťahovacom momente. Nie je dovolené dotáhať šróbenie napr. na kľúč nastrčenou rúkou. Vypustenie vykurovacieho systému je možné na šróbení na vstupe, odvzdušnenie na šróbení na výstupe – podľa obrázka.



Ohrievač je možné v horizontálnej polohe v montážnej konzole natáčať. Za týmto účelom je nutné použiť flexibilnú hydraulickú hadicu. Ohrievač je možné otočiť v konzole v oboch smeroch max. o **70°** - pre HEATER CONDENS MAX, **78°**-pre HEATER CONDENS CR1,CR2.CR3, **68°** pre HEATER CONDENS ONE. Obrázok ukazuje max.úhel na jednu stranu a ďalšiu možnosť pri uhle 50 °, s minimálnou vzdialenosťou zostávajúce pre pripojenie.

## 7. AUTOMATIKA – INŠTALÁCIA

Do prístroja je možné použiť automatizačnú sadu (sieťové napájanie 230V), ktorá obsahuje:

- ☛ panel COMFORT -přepínač 3 rýchlostného ventilátora na ohrievači a zároveň priestorový termostat. Jeden panel COMFORT môže regulovať až 6 ks jednotiek HEATER CONDENS CR ONE, 3 ks jednotiek HEATER CONDENS CR1,2,3 alebo 2 ks HEATER CONDENS MAX
- ☛ dvojcestný ventil so servopohonom – montuje sa na výstupe z ohrievača
- ☛ panel INTELLIGENT - elektronický ovládací panel ovládajúci automaticky reguláciu otáčok, možnosť komunikácie so systémom BMS. Jeden panel INTELLIGENT môže regulovať až 2 ks HEATER CONDENS alebo 1ks HEATER CONDENS MAX.
- ☛ rozbočovač Splitter MULTI 6 - ovláda až 6 jednotiek HEATER CONDENS, CONDENS MAX alebo 12 jednotiek HEATER CONDENS ONE z jedného panela COMFORT alebo panelu Intelligent

Po realizácii pripojenia medzi termostatom a servopohonom ventilu, pripojení napätia 230V k termostatu pripojení motora ventilátora cez regulátor otáčok, je systém pripravený na prevádzku.



### Panel COMFORT NEW popis funkcii

**OFF-I-II-III** –přepínač a regulácia otáčok ventilátora

**HEAT** - termostat dáva prevádzkový signál servopohonu a ventilátora, ventilátor sa vypne pri dosiahnutí nastavenej teploty, ventil uzavrie prívod vody

**FAN** - chod ventilátora zariadenia podľa termostatu, ventily nepracujú

**COOL** - termostat vydá prevádzkový signál servopohonu a ventilátora, zariadenie sa spustí nad nastavenou teplotou

## 8. PRVÉ UVEDENIE DO PREVÁDZKY/ZAPNUTIE PRÍSTROJA

Po realizácii všetkých pripojení - (elektrických, vodných a automatiky) a kontrole tesnenia všetkých prípojok a odvzdušnení ohrievača, vykonaných inštalátorm, je možné pristúpiť k spusteniu zariadenia podľa nasledujúcej sekvencie činností:

- 8.1. zapnúť hlavný vypínač,
- 8.2. nastaviť požadovanú rýchlosť otáčok ventilátora regulátorom otáčok,
- 8.3. nastaviť požadovanú teplotu na termostate.

Aktívny stav je indikovaný rozsvieteným svetlom na regulátore. Ventilátor beží nepretržite bez ohľadu na stav otvorenia ventilu ohrievača.

## 9. VYPNUTIE PRÍSTROJA

V prípade vypnutia ohrievača je nutné postupovať nasledovne:

- 9.1. ovládačom na termostate nastaviť teplotu na min., približne po 7 sekundách sa úplne uzavrie ventil a vypne sa ohrievač
- 9.2. hlavný vypínač nastaviť do polohy 0 (vypnuté), ventilátor sa vypne a s ním aj napájanie termostatu

## 10. PREVÁDZKA ZARIADENIA

Motor s ventilátorom zabudovaný v jednotkách HEATER je bezobslužným zariadením, ale je potrebné pravidelne kontrolovať stav motora a súčasne stav ložísk (ventilátor sa musí voľne otáčať okolo svojej osi bez akýchkoľvek axiálnych a radiálnych úderov a rázov).

### DÔLEŽITÉ

- ⓘ Ak sa v priebehu chodu zariadenia začali ozývať kovové zvuky, zvýšili sa vibrácie a začala by narastať hlasitosť práce zariadenia, je potrebné skontrolovať, či sa neuvoľnilo prichytenie ventilátora – v prípade ťažkostí sa obráťte na inštalátora zariadenia alebo na autorizovaný servis SONNIGER.

## 11. ÚDRŽBA

Tepelný výmenník ohrievača vyžaduje pravidelné čistenie od všetkých nečistôt. Pred začiatkom vykurovacej sezóny je potrebné vyčistiť výmenník tepla stlačeným vzduchom namiereným na výstupné otvory. Nie je potrebná demontáž zariadenia. Keďže existuje možnosť poškodenia lamiel na výmenníku tepla, zachovajte zvýšenú opatrnosť pri čistení. Ak sú lamely ohnuté, narovnávajú ich pomocou náradia, ktoré je na tento účel určené. Ak nie je zariadenie dlhšiu dobu používané, odpojte ho pred ďalším použitím od prúdu.

Výmenník tepla nemá žiadne zabezpečenie proti požiaru. Môže dôjsť k poškodeniu výmenníka tepla, ak teplota v prevádzkovej miestnosti klesne pod 0 stupňov.

Pri prevádzke zariadenia v miestnosti, kde teplota klesá pod 0°C, je nutné pridať do vodného obehu nemrznúcu zmes. Nemrznúca zmes musí byť prispôbena k materiálu, z ktorého je výmenník tepla vyrobený (meď) a s ohľadom na ďalšie súčasti hydraulického obehu. Kvapalina musí byť rozriedená v správnom pomere stanovenom výrobcom danej kvapaliny.

Technická dokumentácia ohrievača HEATER CONDENS v202301

12. TECHNICKÉ PARAMETRE OHRIEVAČE HEATER CONDENS

HEATER CONDENS CR ONE																															
Parametre vykurovacej jednotky		50/30					60/40					70/50					80/60					90/70					120/90				
Vstupná teplota vzduchu		0	5	10	15	20	0	5	10	15	20	0	5	10	15	20	0	5	10	15	20	0	5	10	15	20	0	5	10	15	20
Prietok vzduchu 1600 m <sup>3</sup> /h (rýchlosť 3)																															
Vykurovací výkon	kW	6,7	5,6	4,6	3,4	1,8	9,7	8,6	7,5	6,3	5,2	12,5	11,4	10,2	9,1	7,9	15,6	14,4	13,2	12,0	10,8	18,7	17,5	16,2	15,0	13,8	25,7	24,4	23,1	21,8	20,5
Výstupná teplota vzduchu	°C	14,4	16,7	19,0	21,1	22,2	19,8	22,2	24,7	27,1	29,4	24,9	27,4	29,9	32,3	34,8	29,9	32,4	35,0	37,5	40,0	35,0	37,5	40,1	42,6	45,2	46,4	49,0	51,6	54,1	56,6
Prietok vody	m <sup>3</sup> /h	0,4	0,3	0,3	0,2	0,1	0,5	0,4	0,4	0,3	0,3	0,6	0,6	0,5	0,4	0,4	0,7	0,7	0,6	0,6	0,5	0,9	0,8	0,7	0,7	0,6	0,8	0,7	0,7	0,6	0,6
Tlaková strata	kPa	5,0	3,6	2,5	1,5	0,5	8,0	6,5	5,0	3,7	2,6	11,5	9,7	8,0	6,5	5,1	15,4	13,3	11,4	9,6	8,0	19,6	17,4	15,2	13,2	11,3	14,7	13,4	12,2	11,0	9,8
Prietok vzduchu 1200 m <sup>3</sup> /h (rýchlosť 2)																															
Vykurovací výkon	kW	5,6	4,7	3,8	2,8	1,6	8,1	7,1	6,2	5,3	4,3	10,4	9,4	8,5	7,5	6,6	12,9	11,9	11,0	10,0	9,0	15,5	14,5	13,5	12,5	11,5	21,3	20,2	19,2	18,1	17,1
Výstupná teplota vzduchu	°C	16,0	18,1	20,0	21,8	23,1	21,9	24,1	26,3	28,5	30,6	27,6	29,8	32,1	34,3	36,5	33,1	35,5	37,7	40,0	42,3	38,7	41,1	43,3	45,7	47,9	51,4	53,8	56,0	58,3	60,6
Prietok vody	m <sup>3</sup> /h	0,3	0,3	0,2	0,2	0,1	0,4	0,4	0,3	0,3	0,2	0,5	0,5	0,4	0,4	0,3	0,6	0,6	0,5	0,5	0,4	0,7	0,7	0,6	0,6	0,5	0,6	0,6	0,6	0,5	0,5
Tlaková strata	kPa	3,6	2,6	1,8	1,0	0,4	5,8	4,6	3,6	2,7	1,9	8,3	7,0	5,8	4,6	3,6	11,0	9,5	8,2	6,9	5,7	14,0	12,4	10,9	9,5	8,1	10,5	9,6	8,7	7,8	7,1
Prietok vzduchu 750 m <sup>3</sup> /h (rýchlosť 1)																															
Vykurovací výkon	kW	4,0	3,4	2,7	1,8	1,3	5,9	5,2	4,5	3,8	3,1	7,6	6,9	6,2	5,5	4,8	9,4	8,7	8,0	7,3	6,6	11,3	10,5	9,8	9,1	8,3	14,8	14,7	14,0	13,2	12,4
Výstupná teplota vzduchu	°C	18,6	20,1	21,6	22,1	24,6	25,5	27,4	29,2	30,9	32,5	32,1	33,9	35,9	37,7	39,4	38,6	40,4	42,4	44,2	46,0	45,0	47,0	48,8	50,8	52,6	59,8	61,8	63,7	65,5	67,4
Prietok vody	m <sup>3</sup> /h	0,2	0,2	0,1	0,1	0,1	0,3	0,3	0,2	0,2	0,2	0,4	0,3	0,3	0,3	0,2	0,4	0,4	0,4	0,3	0,3	0,5	0,5	0,5	0,4	0,4	0,5	0,4	0,4	0,4	0,4
Tlaková strata	kPa	2,0	1,5	1,0	0,5	0,3	3,3	2,6	2,1	1,5	1,1	4,7	3,9	3,3	2,6	2,1	6,2	5,4	4,6	3,9	3,3	7,9	7,0	6,1	5,3	4,6	5,9	5,4	4,9	4,4	4,0

HEATER CONDENS CR1																																
Parametre vykurovacej jednotky		50/30					60/40					70/50					80/60					90/70					120/90					
Vstupná teplota vzduchu		0	5	10	15	20	0	5	10	15	20	0	5	10	15	20	0	5	10	15	20	0	5	10	15	20	0	5	10	15	20	
Prietok vzduchu 3900 m <sup>3</sup> /h (rýchlosť 3)																																
Vykurovací výkon	kW	8,7	7,1	5,4	3,6	1,7	12,4	10,8	9,3	7,7	6,1	16,0	14,4	12,9	11,3	9,7	21,1	19,4	17,6	15,9	14,2	23,0	21,4	19,7	17,9	16,1	37,9	35,9	33,9	31,9	29,9	
Výstupná teplota vzduchu	°C	7,3	10,5	14,2	17,8	21,3	10,2	14,4	18,5	22,7	26,9	12,8	16,9	21,2	25,3	29,4	17,2	21,7	26,3	30,8	35,5	18,0	25,8	30,7	35,5	40,3	30,7	36,0	41,3	46,6	51,9	
Prietok vody	m <sup>3</sup> /h	0,4	0,3	0,2	0,2	0,1	0,5	0,5	0,4	0,3	0,3	0,7	0,6	0,6	0,5	0,4	0,8	0,8	0,7	0,6	0,6	0,8	0,8	0,7	0,7	0,6	0,9	0,8	0,8	0,8	0,7	0,7
Tlaková strata	kPa	2,8	1,9	1,2	0,6	0,2	4,8	3,8	2,9	2,1	1,4	7,1	5,9	4,8	3,8	2,9	9,7	8,4	7,1	5,9	4,8	9,7	8,7	7,7	6,8	5,9	9,4	8,5	7,7	6,9	6,1	
Prietok vzduchu 2500 m <sup>3</sup> /h (rýchlosť 2)																																
Vykurovací výkon	kW	6,7	5,5	4,2	2,1	1,5	9,7	8,5	7,2	6,0	4,7	12,5	11,3	10,0	8,8	7,6	16,4	15,1	13,8	12,4	11,1	21,0	19,5	18,1	16,6	15,2	29,6	28,0	26,5	24,9	23,4	
Výstupná teplota vzduchu	°C	8,8	11,6	15,0	17,6	21,8	12,4	16,3	20,2	24,1	28,0	15,6	19,5	23,3	27,2	31,1	20,9	25,2	29,4	33,7	38,0	25,6	30,1	34,6	39,0	43,6	37,4	42,3	47,3	52,2	57,3	
Prietok vody	m <sup>3</sup> /h	0,3	0,2	0,2	0,1	0,1	0,4	0,4	0,3	0,3	0,2	0,5	0,5	0,4	0,4	0,3	0,7	0,6	0,5	0,5	0,4	0,8	0,7	0,7	0,6	0,6	0,7	0,6	0,6	0,6	0,5	
Tlaková strata	kPa	1,8	1,2	0,8	0,2	0,1	3,1	2,4	1,9	1,3	0,9	4,6	3,8	3,1	2,5	1,9	6,3	5,4	4,6	3,8	3,1	8,0	7,1	6,2	5,3	4,5	6,0	5,5	4,9	4,4	4,0	
Prietok vzduchu 1850 m <sup>3</sup> /h (rýchlosť 1)																																
Vykurovací výkon	kW	5,6	4,5	3,4	2,0	1,4	8,1	7,1	6,1	5,0	3,9	10,5	9,5	8,4	7,4	6,4	13,8	12,7	11,6	10,4	9,3	17,6	16,4	15,2	14,0	12,8	24,8	23,5	22,2	20,9	19,6	
Výstupná teplota vzduchu	°C	9,9	12,4	15,5	18,2	22,3	14,0	17,8	21,5	25,1	28,6	17,7	21,4	25,1	28,7	32,3	23,6	27,7	31,8	35,8	39,8	29,0	33,2	37,5	41,8	45,9	42,3	47,0	51,8	56,4	61,2	
Prietok vody	m <sup>3</sup> /h	0,2	0,2	0,2	0,1	0,1	0,4	0,3	0,3	0,2	0,2	0,5	0,4	0,4	0,3	0,3	0,5	0,5	0,5	0,4	0,4	0,6	0,6	0,6	0,5	0,5	0,6	0,5	0,5	0,5	0,4	
Tlaková strata	kPa	1,3	0,9	0,5	0,2	0,1	2,3	1,8	1,4	1,0	0,6	3,4	2,8	2,3	1,8	1,4	4,6	3,9	3,3	2,8	2,3	5,9	5,2	4,5	3,9	3,3	4,4	4,0	3,6	3,2	2,9	

HEATER CONDENS CR2																															
Parametre vykurovacej jednotky		50/30					60/40					70/50					80/60					90/70					120/90				
Vstupná teplota vzduchu		0	5	10	15	20	0	5	10	15	20	0	5	10	15	20	0	5	10	15	20	0	5	10	15	20	0	5	10	15	20
Prietok vzduchu 3350 m <sup>3</sup> /h (rýchlosť 3)																															
Vykurovací výkon	kW	12,5	10,5	8,4	6,1	2,8	19,6	17,3	15,0	12,6	10,2	26,2	23,7	21,3	18,8	16,3	32,5	30,0	27,5	24,9	22,4	39,3	36,7	34,0	31,4	28,8	53,4	50,7	48,0	45,3	42,6
Výstupná teplota vzduchu	°C	10,7	14,3	16,9	19,5	21,9	16,6	19,0	21,2	23,5	25,8	22,1	24,6	27,1	29,5	32,0	27,2	29,7	32,2	34,8	37,3	32,4	35,0	37,6	40,2	42,7	45,0	47,6	50,4	53,1	55,9
Prietok vody	m <sup>3</sup> /h	0,7	0,6	0,5	0,3	0,2	1,0	0,8	0,7	0,6	0,5	1,2	1,1	1,0	0,9	0,8	1,5	1,3	1,2	1,1	1,0	1,7	1,6	1,5	1,4	1,2	1,5	1,4	1,3	1,3	1,2
Tlaková strata	kPa	4,4	3,2	2,1	1,2	0,3	7,2	5,8	4,4	3,3	2,2	10,5	8,8	7,2	5,8	4,5	14,1	12,2	10,4	8,8	7,2	18,2	16,0	14,0	12,1	10,4	13,6	12,4	11,2	10,1	9,0
Prietok vzduchu 2000 m <sup>3</sup> /h (rýchlosť 2)																															
Vykurovací výkon	kW	9,1	7,6	6,0	4,2	2,4	14,2	12,6	10,9	9,2	7,4	19,0	17,2	15,5	13,7	11,9	23,5	21,7	19,9	18,1	16,3	28,4	26,5	24,6	22,7	20,9	38,6	36,7	34,8	32,8	30,9
Výstupná teplota vzduchu	°C	12,9	19,4	21,4	23,0	24,5	20,2	22,1	23,9	25,8	27,7	26,9	28,9	30,9	33,0	35,0	32,9	35,0	37,1	39,2	41,3	39,2	41,4	43,5	45,6	47,8	54,5	56,7	59,0	61,2	63,4
Prietok vody	m <sup>3</sup> /h	0,5	0,4	0,3	0,2	0,1	0,7	0,6	0,5	0,4	0,4	0,9	0,8	0,7	0,6	0,5	1,1	1,0	0,9	0,8	0,7	1,2	1,1	1,1	1,0	0,9	1,1	1,0	1,0	0,9	0,9
Tlaková strata	kPa	2,5	1,8	1,2	0,6	0,2	4,1	3,3	2,5	1,9	1,3	5,9	4,9	4,1	3,3	2,6	7,9	6,8	5,8	4,9	4,1	10,1	8,9	7,8	6,8	5,8	7,6	6,9	6,3	5,7	5,1
Prietok vzduchu 1450 m <sup>3</sup> /h (rýchlosť 1)																															
Vykurovací výkon	kW	7,3	6,1	4,8	2,9	2,1	11,5	10,2	8,8	7,4	6,0	15,3	13,9	12,5	11,1	9,6	19,0	17,5	16,1	14,6	13,2	22,9	21,4	19,9	18,4	16,9	31,2	29,6	28,1	26,5	25,0
Výstupná teplota vzduchu	°C	14,4	21,0	22,5	22,6	25,5	22,5	24,1	25,8	27,3	28,8	29,9	31,7	33,5	35,2	37,0	36,6	38,4	40,2	42,1	43,9	43,5	45,4	47,3	49,2	51,1	60,6	62,5	64,6	66,5	68,4
Prietok vody	m <sup>3</sup> /h	0,4	0,3	0,3	0,2	0,1	0,6	0,5	0,4	0,4	0,3	0,7	0,6	0,6	0,5	0,4	0,8	0,8	0,7	0,7	0,6	1,0	0,9	0,9	0,8	0,7	0,9	0,8	0,8	0,7	0,7
Tlaková strata	kPa	1,7	1,2	0,8	0,3	0,2	2,8	2,2	1,7	1,3	0,9	4,0	3,4	2,8	2,2	1,8	5,4	4,7	4,0	3,4	2,8	6,9	6,1	5,3	4,6	4,0	5,2	4,7	4,3	3,9	3,5

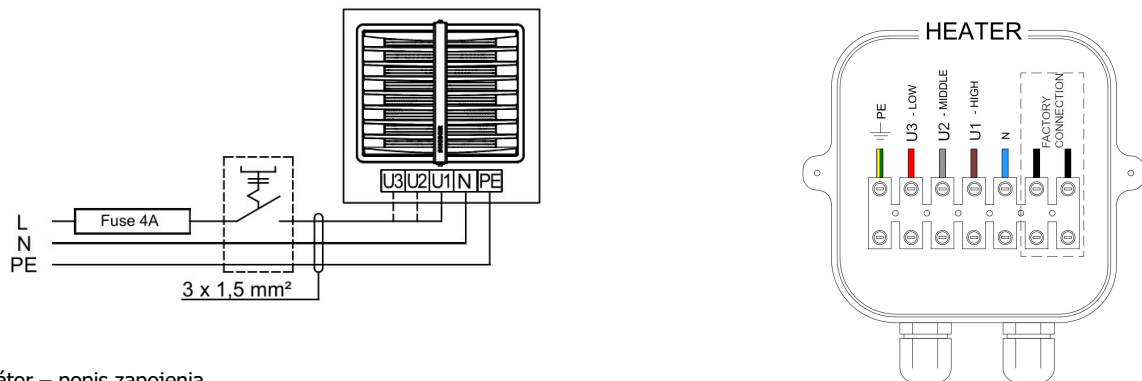
HEATER CONDENS CR3																															
Parametre vykurovacej jednotky		50/30					60/40					70/50					80/60					90/70					120/90				
Vstupná teplota vzduchu		0	5	10	15	20	0	5	10	15	20	0	5	10	15	20	0	5	10	15	20	0	5	10	15	20	0	5	10	15	20
Prietok vzduchu 2950 m <sup>3</sup> /h (rýchlosť 3)																															
Vykurovací výkon	kW	20,0	17,0	14,0	10,8	7,2	27,9	24,8	21,7	18,6	15,3	35,3	32,1	29,0	25,8	22,6	42,5	39,4	36,2	33,0	29										



### 13. SCHÉMY ELEKTRICKÉHO ZAPOJENIA

#### 13.1. Pripojenie ohrievača HEATER bez automatizácie

\* Jednotka nezahŕňa: Hlavný vypínač, istič, kábel



Ventilátor – popis zapojenia

**U1** vysoká rýchlosť - hnedá

**U2** stredná rýchlosť – šedá

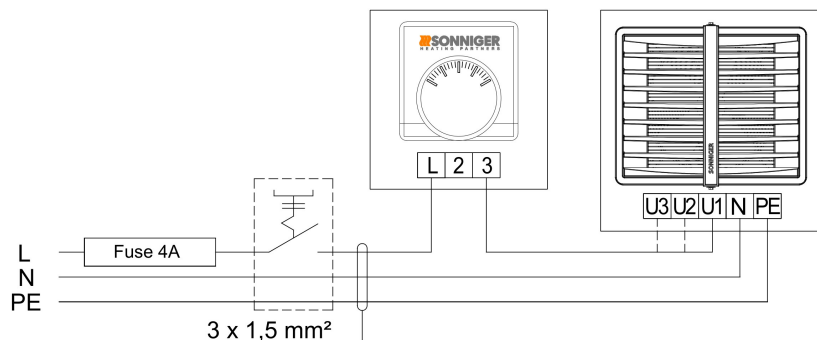
**U3** nízka rýchlosť – červená

**N** neutral - modrá

**PE** zemniaci vodič – žltá/zelená

#### 13.2. Pripojenie niekoľkých ohrievačov HEATER MIX

\* Jednotka nezahŕňa: Hlavný vypínač, istič, kábel



#### 13.3 Pripojenie niekoľkých ohrievačov HEATER k panelu COMFORT s ventilmi a servopohonmi

\* Jednotka nezahŕňa: Hlavný vypínač, istič, kábel

Jeden panel COMFORT môže regulovať:

- **6x** HEATER CONDENS ONE
- **3x** HEATER CONDENS CR1,CR2,CR3
- **2x** HEATER CONDENS MAX

**HEAT** - termostat dáva prevádzkový signál servopohonu a ventilátoru, ventilátor sa vypne pri dosiahnutí nastavenej teploty, ventil uzavrie prívod vody

**FAN** - chod ventilátora zariadenia podľa termostatu, ventily nepracujú

**COOL** - termostat vydá prevádzkový signál servopohonu a ventilátora, zariadenie sa spustí nad nastavenou teplotou

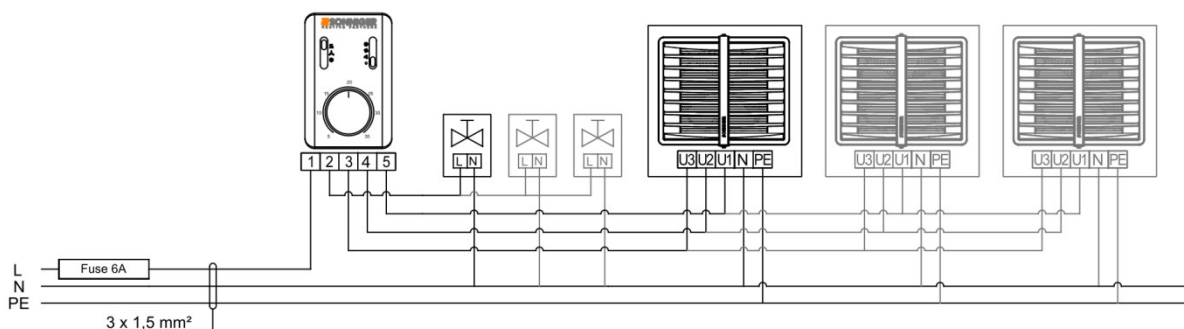
**Pozor! Je tiež možnosť použitia dodatočnej zmeny pozície prepajky SR1 na SR1 CONST, v tomto prípade je možné prevádzkovať ventilátor nezávisle od termostatu.**

Termostatická prevádzka je iba pre ventily. V tomto prípade:

**HEAT** – chod ventilátora nezávisle na termostate, ventily pracujú až do nastavenej teploty

**FAN** – chod ventilátora zariadenia, nezávisle na termostate, ventily nepracujú

**COOL** – chod ventilátora nezávisle na termostate, ventily pracujú nad nastavenou teplotou



### 13.3. Prepojenie ohrievačov HEATER CONDENS s panelom INTELLIGENT WIFI

Panel INTELLIGENT WIFI ovláda servo-ventily a automaticky reguluje otáčky ventilátora v závislosti na požadovanej teplote v miestnosti. Po dosiahnutí nastavenej teploty v miestnosti sa chod ventilátora automaticky zmení na nižšiu rýchlosť. Doplňková funkcia – týždenný termostat. dostupnosť komunikácie BMS.

Možnosť pripojenia snímača vonkajšej teploty NTC, dodávaného s káblom dĺžky 5m, max. dĺžka kábla 20 m.

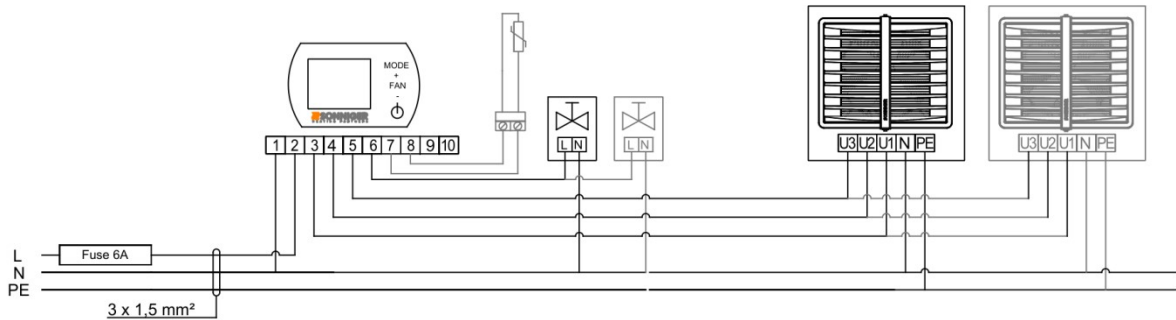
Pre **destratifikátory MIX1 a MIX2** môžete použiť **panel INTELLIGENT WIFI s teplotným čidlom NTC** a v režime **COOL** Jeden panel INTELLIGENT WIFI môže regulovať:

**až 4 ks HEATER CONDENS CR ONE**

**až 2 ks HEATER CONDENS.CR1,2,3**

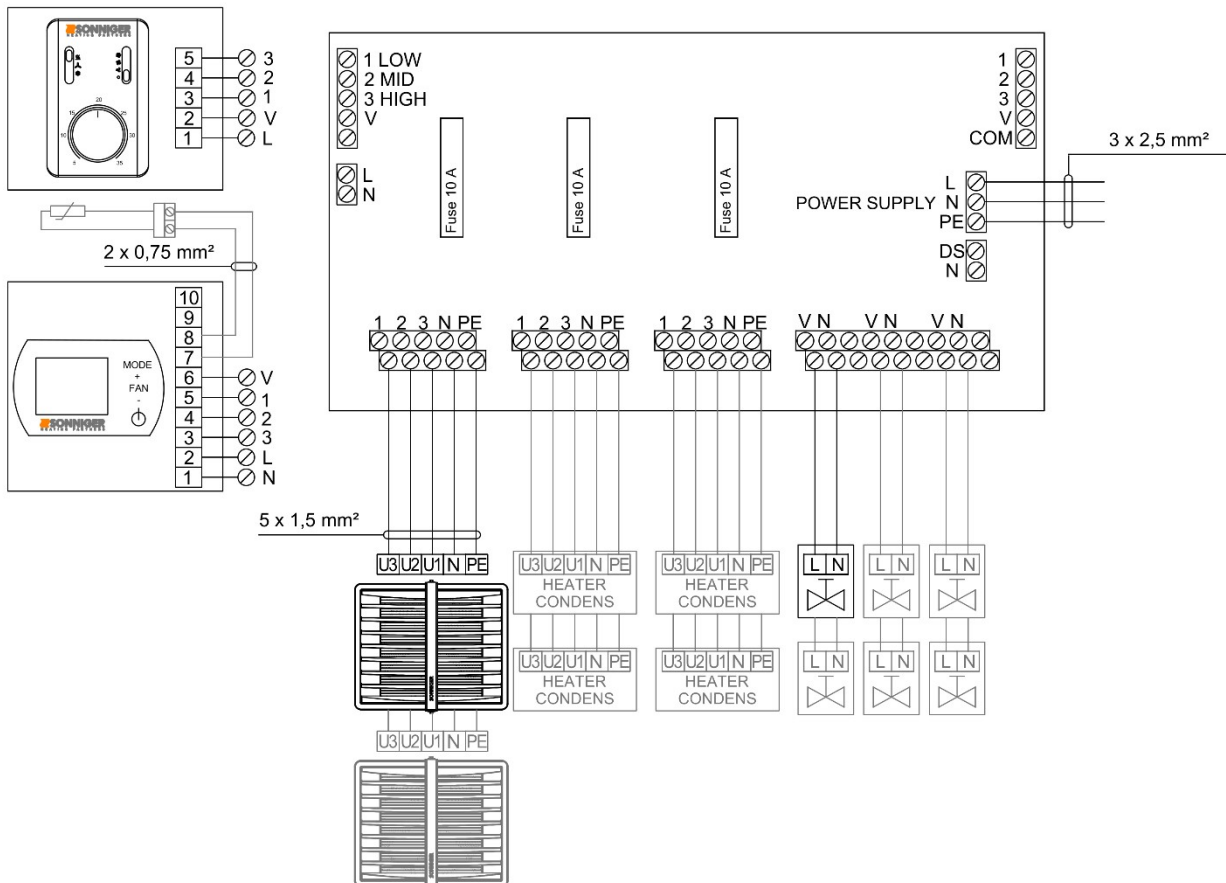
**až 1 ks HEATER CONDENS CR MAX**

\* Zariadenie neobsahuje: hlavný vypínač, poistky a napájací kábel



### 13.4. Splitter MULTI 6 – ovláda až 6 jednotiek HEATER CONDENS, CONDENS MAX alebo 12 jednotiek HEATER ONE z jedného panelu COMFORT alebo panelu INTELLIGENT WIFI

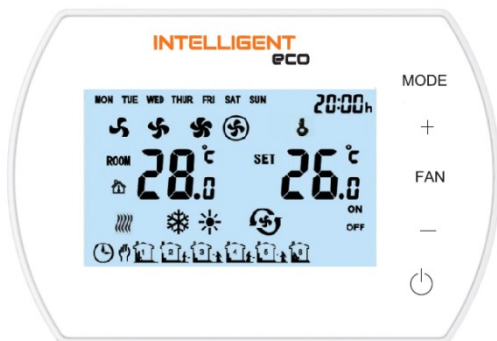
MULTI 6 Splitter (rozbočovač) umožňuje pripojiť a ovládať viac ohrievačov vzduchu (max.6/12 ks) a ventilov so servopohonmi (max.6/12 ks). Regulácia ventilátorov a ventilov sa realizuje panelmi COMFORT alebo INTELLIGENT. Pre pripojenie viac ako 6 ventilátorov a ventilov, je možné pripojiť rozbočovače MULTI 6 Splitter k sebe (maximálne rozšírenie až na Splitter10 MULTI 6 ). V takom prípade sa pri prvom MULTI 6 Splitter nechá konektor DS-N otvorený, pri ďalších rozbočovačoch MULTI 6 Splitter (od 2. do 10.) musí byť konektor DS-N uzavretý.





## 14. PANEL INTELLIGENT WIFI – manuál programovateľného ovládača

Panel Intelligent WIFI ovláda elektroventily a automaticky reguluje otáčky ventilátora v závislosti na požadovanej teplote v miestnosti. Čím nižšia je teplota v miestnosti, tým vyšší vzduchový výkon je nastavený. Otáčky ventilátorov sa automaticky zmenia na nižšiu rýchlosť, keď sa teplota v miestnosti priblíži požadovanej. Panel Intelligent WIFI umožňuje spravovať prácu zariadenia cez mobilnú aplikáciu TUYA SMART

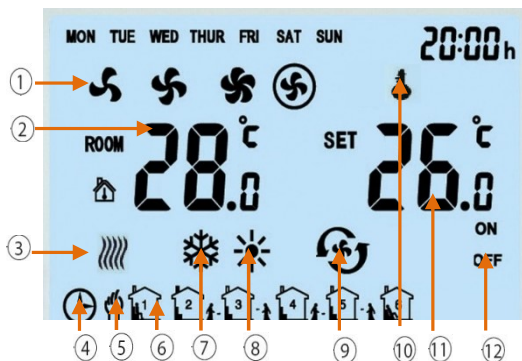


### Funkcie

Panel INTELLIGENT WIFI je určený pre produkty SONNIGER

- » Týždenný termostat (5/1/1 dni)
- » Automatické alebo manuálne 3-stupňové nastavenie rýchlosti ventilátora
- » Regulácia teploty v miestnosti (zatváraním/otváraním) ventilu alebo automatickým nastavením množstva vzduchu
- » Protizámrzný režim – ochrana proti poklesu teploty v miestnosti pod nízku kritickú úroveň 5 ~ 15 °C.
- » Možnosť pripojenia externého teplotného čidla NTC.
- » BMS komunikácia protokolom MODBUS
- » Bezdrôtové ovládanie pomocou aplikácie TUYA SMART app
- » Bezpotenciálový kontakt

### Popis ovládača



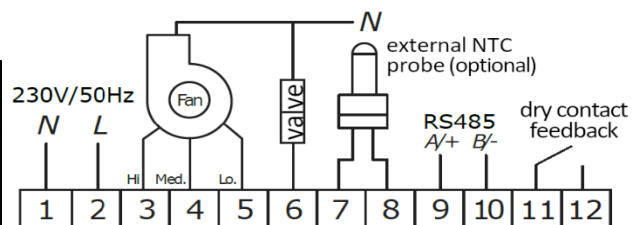
1. Otáčky ventilátora: NÍZKE, STREDNÉ, VYSOKÉ alebo AUTO (LOW, MED, HI a AUTO)
2. IZBOVÁ TEPLOTA alebo NTC TEPLOTA EXTERNÉHO SENZORA (nameraná teplota)
3. Anti-freeze indikácia ochrany proti zamrznutiu
4. Automatický programovací režim
5. Ručný režim
6. 6 časových úsekov za 24 hod.
7. Režim chladenia
8. Režim vykurovania
9. Režim vetranie
10. Zámok tlačidiel
11. NASTAVENÁ TEPLOTA (požadovaná izbová tepl.)
12. ON/OFF stav časových pásiem

### Technické parametre

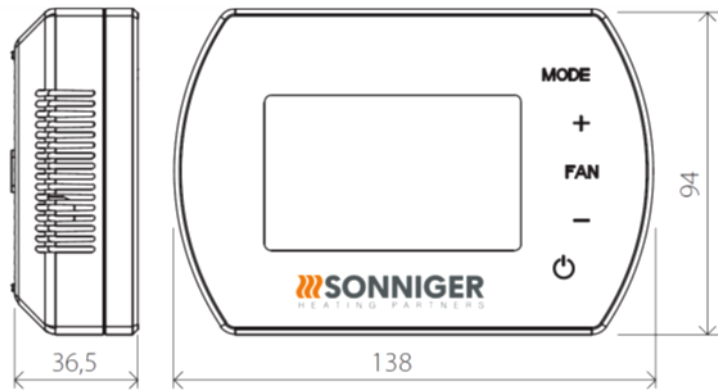
1	Napájanie	230V / 50Hz
2	Rozsah nastavenia teploty	5°C až 40°C
3	Teplotný pracovný rozsah	-10°C až 60°C
4	IP	20
5	Teplotný senzor	Interné / externé NTC (voliteľné)



- 13 Režim MODE  
Krátkym stlačením vyberte manuálny alebo automatický režim.  
Stlačte a podržte 3 s, vyberte režim chladenia, kúrenie alebo ventiláciu
- 14 FAN Ventilátor:  
Krátko stlačte a vyberte rýchlosť ventilátora: Low, Med, High alebo Auto
- 15 ON/OFF panel INTELLIGENT



**Rozmery**



**Menu nastavenia**

Keď je panel INTELLIGENT WIFI vypnutý, stlačte a podržte tlačidlo MODE po dobu 5 sekúnd.

Na zmenu možnosti použite tlačidlo MODE.

Pre zmenu hodnoty použite tlačidlá +/-

Menu nastavenia	Voľba	Hodnota
1	Kalibrácia teploty	-9°C ~ +9°C
2	EEPROM	0: no pamäť 1: pamäť
3	Stav ventilátora	C1: Termostatický režim C2: Kontinuálny režim
4	Teplotný senzor	0: Interný Sensor 1: Externý Sensor NTC (voliteľne)
5	Protizámrzný	0: Off 1: On
6	Protizámrzný rozsah	+5°C ~ +15°C
7	ALARM	0: deaktivován 1: aktivován ALARM
8	Nastavenie bezpotenciálového kontaktu	0: NO 1: NC
9	MODBUS	0: deaktivovaný 1: aktivovaný
10	BMS rýchlosť	0-2400 / 1-9600 / 2-19200
11	Modbus ID	1~247 (01~F7)

**Tlačidlo Zamknúť / Odomknúť** 




Pre zamknutie tlačidiel stlačte a podržte + a potom - a držať obe po dobu 5 sekúnd.

Pre odomknutie tlačidiel stlačte a podržte + a potom - a držať obe po dobu 5 sekúnd.





**Stlačte MODE**

Zmena na manuálny ručný  alebo režim automatický 

**Podržte tlačidlo MODE po dobu 5 sekúnd**

Zmena na režim chladiaci , režim vykurovania , režim vetrania 








**Stlačte FAN**

Zmena rýchlosti ventilátora (Fan) nízka (low) , stredná (medium) , vysoká (high) , automatická 

**Podržte tlačidlo FAN po dobu 5 sekúnd**

Manuálne programovanie kalendára Po - Pi, So, Ne 6 nastavení denne

**BMS Funkcie**

-  Nastavenie/čítanie pracovných parametrov
-  Práca/Bez práce zariadenia
-  Týždenný program
-  Teplota
-  Rýchlosť ventilátora
-  Kúrenie, ventilácia, režim chladný
-  Ochrana proti zamrznutiu (antifreeze mode)

Číslo	Položky	Specifikace
1	Working Mode	RS485 Semi-duplex; PC or main controller is master; thermostat is slave
2	Interface	A(+),B(-), 2 wires
3	Baud Rate	2400bps
4	Byte	9 bits in total: 8 data bit + 1 stop bit
5	Modbus	RTU Mode
6	Transmittion	RTU (Remote Terminal Unit) format (please refer to MOBUS instruction)
7	Thermostat address	1–247 ; (0 is broadcast address and stand for all thermostat without response)

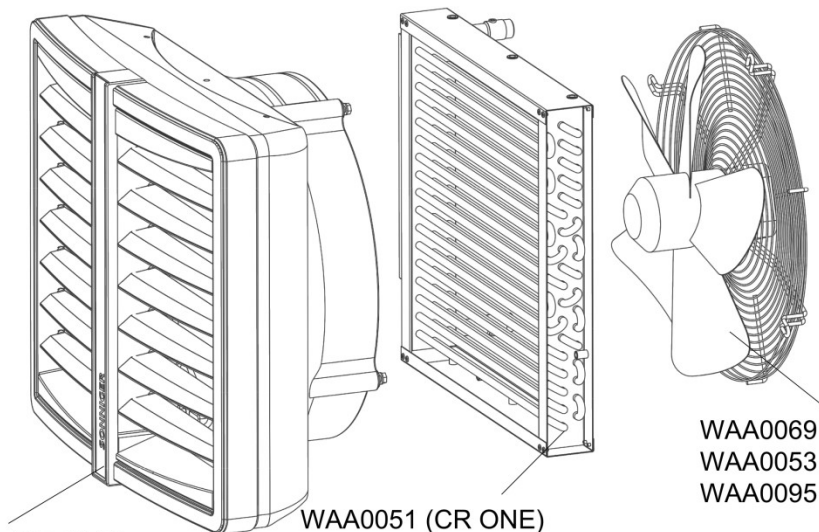
#### WIFI funkcie

- 🔌 Nastavenie/čítanie pracovných parametrov
- 🔌 Prevádzka/Bez prevádzky zariadenia
- 🔌 Týždenný program
- 🔌 Teploty
- 🔌 Rýchlosť ventilátora
- 🔌 Režim vykurovania, vetrania, chladenia

#### PREPOJENIE PANEL INTELIGENT WIFI S APLIKÁCIOU TUYA

1. Stiahnite si aplikáciu Tuya Smart app (k dispozícii v App Store a Google Play)
2. Pripojte ovládací panel k napájaniu a zariadeniu, ovládací panel by mal byť vypnutý
3. Zapnite aplikáciu Tuya app a postupujte podľa pokynov v aplikácii
4. Pre proces pripojenia povoľte GPS a Bluetooth v telefóne
5. Ak chcete aktivovať režim párovania na paneli INTELIGENT WIFI, dvakrát kliknite a podržte symbol "+" po dobu 5 s kým sa na ľavej strane obrazovky neobjaví symbol SA
6. Zvoľte funkciu "pridať zariadenie"(add devices), aplikácia by mala automaticky nájsť ovládací panel, stlačte tlačidlo "pridať"(add) a po dokončení procesu konfigurácie stlačte "ďalší"(next) a "dokončené"(finished)
7. Pri absencii funkcie "pridať" (add) vyberte záložku "malé zariadenia"(small devices) a funkciu "thermostat (WIFI)". Potom zadajte údaje k vybranej WIFI sieti a potvrdte "Blikn slowly".
8. Zobrazí sa obrazovka s informáciami o hľadaní zariadenia. Po detekcii ovládača je proces pripojenia automatický. Po dokončení procesu konfigurácie stlačte "ďalší"(next) a "dokončené"(finished)

#### NÁHRADNÉ DIELY



WAA0070 (CR ONE)

WAA0041 (CR1,2,3, MIX1)

WAA0096 (CR MAX 2,3,4, MIX2)

WAA0051 (CR ONE)

WAA0037 (CR1) WAA0092 (CR2MAX)

WAA0038 (CR2) WAA0093 (CR3MAX)

WAA0039 (CR3) WAA0094 (CR4MAX)

WAA0069 (CR ONE)

WAA0053 (CR1,2,3, MIX1)

WAA0095 (CR MAX 2,3,4, MIX2)

#### DODRŽIAVANIE WEEE 2012/19 / EÚ

V súlade s platnými právnymi predpismi v čase nákupu nového elektrického alebo elektronického zariadenia s nasledujúcou značkou:



PAMÄTAJTE, ŽE JE ZAKÁZANÉ ODKLADAŤ POUŽITÉ ZARIADENIE S INÝM ODPADOM.

Informácie o systéme zberu elektrických a elektronických zariadení získate u svojho distribútora.

## ZÁRUČNÉ PODMIENKY PRE ZARIADENIE

### § 1 Rozsah záruky

1. Táto záruka sa vzťahuje na materiálové chyby zariadenia, ktoré neumožňujú jeho používanie v súlade s uvedeným účelom. Záruka sa nevzťahuje na inštalačné práce a údržbu zariadenia.
2. Záručná doba je 24 mesiacov od dátumu nákupu zariadenia, dátum nákupu je uvedený na predajnej faktúre a obsahuje všetky časti/komponenty dodávky.
3. Produkty dodávané cez tretiu stranu spadajú pod záruku tohto dodávateľa.
4. Zariadenie môžu ovládať a obsluhovať výhradne osoby vyškolené v prevádzke a údržbe zariadenia s príslušnými oprávneniami. Všetky činnosti spojené s uvedením do prevádzky, servisné práce a opravy, musia byť zapísané v záručnom liste.
5. Podmienkou záruky je realizácia montáže a uvedenie zariadenia do prevádzky v súlade s technickou dokumentáciou najneskôr do 6 mesiacov od dátumu zakúpenia.
6. Podmienkou zachovania záruky po celú záručnú dobu je dodržiavanie servisných prác uvedených v technickej dokumentácii pre dané zariadenie v časti „ÚDRŽBA“. Služby spojené so servisom a s údržbou zariadenia sú realizované na objednávku a náklady užívateľa.
7. Poskytnutie záručného servisu neprerušuje ani nepozastavuje záručnú dobu. Záruka na vymenené alebo opravené komponenty zariadenia sa končí po uplynutí termínu záručnej doby na zariadenie.

### § 2 Odmietnutie záruky

1. Záruka sa nevzťahuje na mechanické poškodenia a poškodenia elektrických častí vyplývajúcich z nesprávneho používania, transportu, elektrických skokov v sieti alebo iných príčin nevyplyvajúcich z chyby výrobu. V súlade s tým sa záruka vzťahuje iba na výmenu dielov/komponentov, ktoré obsahujú konštrukčnú chybu, bez dodatočných nákladov iba vtedy, ak je vrátený chybný diel.
2. Záruka zariadenia sa nevzťahuje na prípady chýb technických, ku ktorým došlo v procese týkajúceho sa inštalácie, nastavenia a ovládania zariadenia, a to najmä:
  - Závady spôsobené pripojením zariadenia k nesprávne zaprojektovanému ventilačnému systému, ktorý spôsobuje ďalšiu tepelnú záťaž, odchylujúcu sa od normy a znižujúcu účinnosť výmenníka tepla.
  - Závady spôsobené pripojením komponentov alebo dielov, ktoré sú súčasťou vykurovacieho systému, ale neboli dodané predávajúcim, a ich zlá funkčnosť má negatívny vplyv na chod zariadenia.
  - Závady vzniknuté napojením na komponenty, ktoré nie sú originálnym náhradným dielom.
  - Závady vzniknuté v prípade odpredaja výrobku pôvodným kupujúcim/užívateľom ďalšiemu kupujúcemu, ktorý demontuje/nainštaluje zariadenie, ktoré bolo pôvodne nainštalované a pracovalo v konkrétnom objekte v predpísaných podmienkach (podľa pôvodného projektu).
  - Závady vyplývajúce z nedostatočnej odbornosti a nevedomosti montéra a technických pracovníkov, ktorí nesprávne realizujú ďalší popredajný servis.
  - Závady vyplývajúce zo zvláštnych podmienok prevádzkovania, ktoré sa odchyľujú od štandardných aplikácií, pokiaľ sa zmluvné strany (predávajúci a technický personál zákazníka) vopred písomne nedohodli.
  - Závady vzniknuté z dôsledkov vyplývajúcich z prírodných katastrof, ako sú napr. požiar, explózia a ďalšie udalosti, ktoré môžu spôsobiť poškodenie mechanických, elektrických a bezpečnostných prvkov.
  - Závady vyplývajúce z nesprávneho čistenia technickej miestnosti alebo miesta, kde je zariadenie nainštalované. Je potrebné čistenie vykonávať pravidelne v závislosti na pracovných podmienkach a hromadení prachu.
  - Závady vzniknuté v dôsledku nesprávnej inštalácie, neprispôsobené prevádzkovým podmienkam pri nízkych vonkajších teplotách.
  - Závady vzniknuté v dôsledku podmienok nízkej teploty v situácii, kedy inštalačná firma nemontuje zabezpečovacie prvky pre tento typ zariadenia s cieľom:
    - Vyhnúť sa nízkym teplotám na elektrických a mechanických komponentoch ako sú ventily alebo elektronické riadiace jednotky.
    - Predísť kondenzácii vody a tvorbe námrazy/ľadu v blízkosti zariadenia.
    - Vyhnúť sa náhlemu termickému šoku ohrievača a výmenníka tepla v dôsledku náhlych zmien vonkajších teplôt.

### § 3 Firma SONNIGER rovnako nenesie zodpovednosť za:

1. Priebežnú údržbu, servisné prehliadky vyplývajúce z Technickej dokumentácie a programovanie zariadenia.
2. Za škody spôsobené zastavením zariadenia a v čase čakania na záručný servis.
3. Za akékoľvek škody vzniknuté inde než na zariadení vo vlastníctve klienta.

### § 4 Reklamačný poriadok

1. Reklamácie, na ktoré sa vzťahujú záručné podmienky, užívateľ hlási priamo u distribútora.
2. Opravy, na ktoré sa vzťahuje táto záruka, budú prevedené v rámci činnosti inštalačných firiem. Opravy vyplývajúce zo záruky budú realizované v mieste inštalácie zariadenia.
3. Záruka bude vyriešená v priebehu 14 dní od oznámenia, vo výnimočných prípadoch môže byť doba predĺžená o dobu dodania náhradných dielov dodávateľom.
4. Užívateľ v rámci tejto služby sa zaväzuje:

#### Technická dokumentácia ohrievača HEATER CONDENS v202301

- Umožniť úplný prístup do priestoru, v ktorom je zariadenie namontované, spolu so zabezpečením nevyhnutnej infraštruktúry, umožňujúcej priamy prístup k zariadeniu (platforma, lešenie, a pod.) tak, aby sa mohla realizovať údržba, na ktorú sa táto záruka vzťahuje.
  - Predložiť originál záručného listu spolu s faktúrou dokumentujúcou nákup zariadenia.
  - Zaistiť bezpečnosť počas týchto prác.
  - Zabezpečiť možnosť začatia práce ihneď po príchode na miesto poskytnutia služby.
5. K vybaveniu reklamácie je nutné zaslať na nižšie uvedenú adresu nasledujúce dokumenty:
- Správne vyplnený formulár a žiadosť o reklamáciu, ktorý je dostupný na [www.sonniger.cz](http://www.sonniger.cz) alebo [www.sonniger.sk](http://www.sonniger.sk)
  - Kópiu záručného listu
  - Kópiu faktúry potvrdzujúcej nákup zariadenia
6. Oprava a výmena dielov bude realizovaná bezplatne pod podmienkou, že zástupca inštalačnej firmy alebo zástupca výrobcu zistí, že vada na zariadení je spôsobená výrobcom.
7. Všetky náklady (opravy, náklady na náhradné diely, doprava) vyplývajúce z neoprávnenej reklamácie – najmä v prípade, kedy zástupca inštalačnej firmy alebo zástupca výrobcu zistí, že škoda bola spôsobená nedodržaním pokynov obsiahnutých v Technickej dokumentácii, alebo zistí existenciu skutočností uvedených v § 2 (Odmietnutie záruky) – budú hradené objednávajúcim zákazníkom.
8. Žiadateľ o reklamáciu je povinný písomne potvrdiť realizáciu servisných prác.
9. Firma SONNIGER má právo odmietnuť realizáciu záručných prác v prípade, že firma SONNIGER eviduje neuhradené pohľadávky po splatnosti, neobdržala celú platbu za reklamované zariadenie alebo neobdržala platbu za skôr poskytnuté servisné služby.

## ZÁRUČNÝ LIST

Investície: .....

Model zariadenia: .....

Výrobné číslo: .....

Dátum nákupu: .....

Dátum uvedenia do prevádzky: .....

Údaje inštalačnej firmy:

Osoba, ktorá sprevádzkovala zariadenie: .....

Názov firmy: .....

Adresa: .....

Telefón: .....

Popis osoby, ktorá sprevádzkovala zariadenie: .....

Evidencia inštalačných prác, prehliadok, opráv:

Dátum	Rozsah montážnych prác, opráv, prehliadok	Popis pečiatka inštalačnej firmy